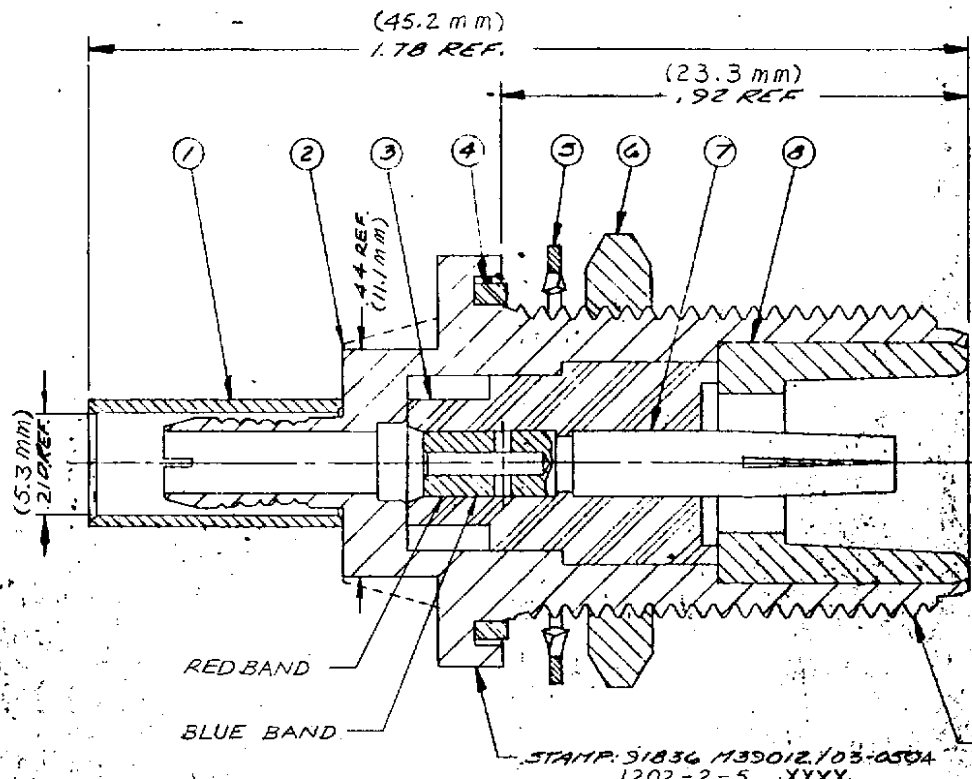
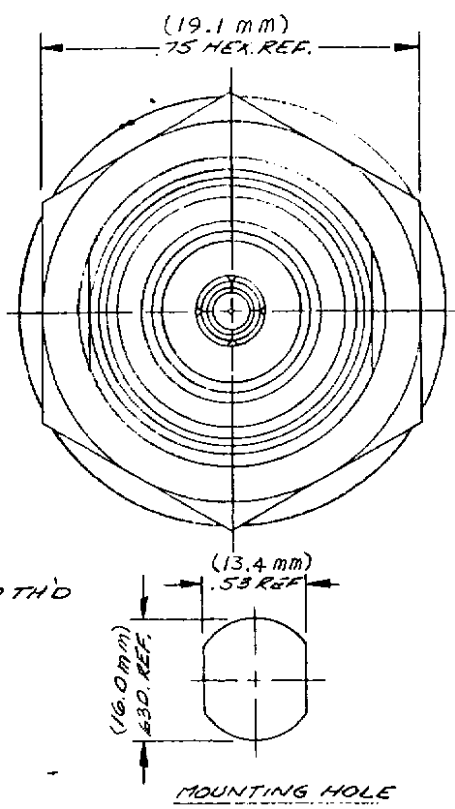


DASH NO.	DESCRIPTION	MADE FROM
----------	-------------	-----------



- NOTE 5:
- FOR USE WITH M17/028-RG058 CABLE.
 - FOR CABLING INSTRUCTIONS SEE CP-489.
 - FOR CABLE TRIMMING USE KTJ-162 & KTD-208.
 - FOR FORMING USE CRIMP DIE SIZE 42.
 - ITEM ⑦ TO BE SUPPLIED UNASSEMBLED.
 - FOR USE WITH .324 MAX. PANEL.
- DATE CODE



M39012/03-0504

S-D

REVISIONS	
ISSUE	CHANGES
0	RESTRICTED USAGE ER 29144 KH 13 OCT 87
1	CN 29715 E RESTRICTION REMOVED AJ 3 MAY 88
2	CN 32243 A LNM 1 JUN 90

1202-2-5

USED ON:

REF:

FINISH:

SPEC:

MATL:

SPEC:

N BULK HEAD JACK

DRAWN KH DATE 13 OCT 87

APPR. [Signature] DATE 16 OCT 87

KINGS ELECTRONICS
40 HARBORLEDALE ROAD
TUCKAHOE, N. Y. 10707

M39012/03-0504

ITEM	REQ'D	DESCRIPTION	PART NO.
9	1	CABLING INSTRUCTIONS	N-59-242-4-M88
8	1	BUSHING	
7	1	NON-CARTIVE CRIMP CONTACT F	1-534-82M9D
6	1	HEX NUT	704-4-M07
5	1	LOCKWASHER	30C-6-M07
4	1	GASKET	631-8-M99
3	1	INSULATOR	
2	1	K-GRIP BODY	
1	1	K-GRIP SLEEVE	1-9690-1M07

UNLESS OTHERWISE SPECIFIED:

1. TOLERANCES: FRACTIONS & 2 PLACE DECIMALS ± .010	2. REMOVE ALL BURRS. BREAK SHARP EDGES .005 MAX.
3 PLACE DECIMALS ± .004	3. NO FILLETS PERMITTED.
7.5 R. CONCENTRICITY OF ANY 2 DIAMETERS MAY NOT EXCEED HALF THE SUM OF THEIR TOLERANCES.	4. SURFACE ROUGHNESS 63 MICRONS RMS MAX.
	5. ALL DIMENSIONS PRIOR TO PLATING.

X-ON Electronics

Largest Supplier of Electrical and Electronic Components

Click to view similar products for [RF Connectors / Coaxial Connectors](#) category:

Click to view products by [Winchester](#) manufacturer:

Other Similar products are found below :

[R125315120](#) [8915-1511-000](#) [89674-0827](#) [5916-1103-603](#) [0106-001-000](#) [6-0001-3](#) [6001-7071-019](#) [6002-7051-003](#) [6002-7551-202](#) [6059674-1](#) [619550-1](#) [630059-000](#) [M39012/25-0021](#) [M39012/79-3008](#) [M39030/3-01N](#) [M39030/3-03N](#) [M3933/25-29N](#) [M3933/25-36N](#) [6500-7071-046](#) [6501-1071-002](#) [M83723/72W24576](#) [M83723/72W2457N](#) [6769](#) [CX050L2AQ](#) [7002-1541-010](#) [7003-1572-002](#) [7004-1512-000](#) [7009-1511-004](#) [7010-1511-000](#) [7029-1511-060](#) [7101-1541-010](#) [7101-1571-002](#) [7105-1521-002](#) [7145-1521-002](#) [7209-1511-011](#) [7210-1511-012](#) [7210-1511-015](#) [7210-1511-019](#) [7210-1511-040](#) [7225-1512-050](#) [7242-1511-000](#) [73137-5015](#) [73216-2241](#) [73251-0111](#) [73251-0672](#) [73276-1501](#) [73366-0013](#) [73404-2300](#) [73413-6080](#) [734151610](#)