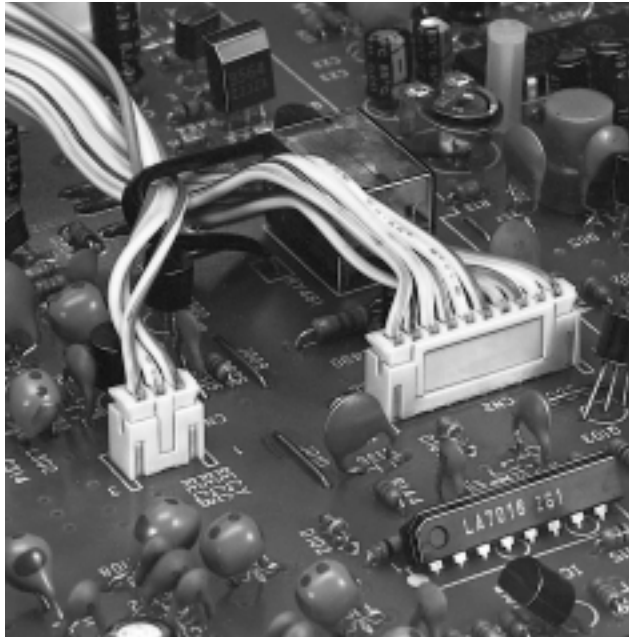
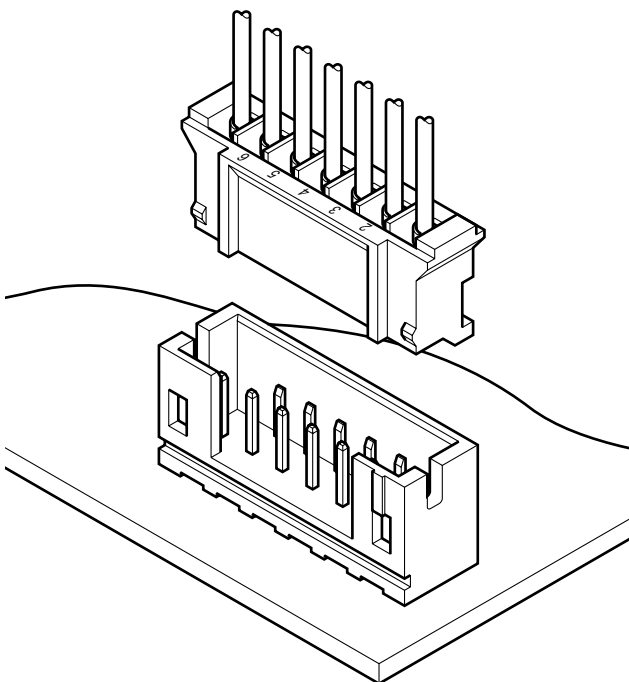


PH CONNECTOR

Disconnectable Crimp style connectors



This is a thin, low-profile 2.0mm (.079") pitch connector 7.5mm (.295") in height after mounting and 4.5mm (.177") in width. It is designed to meet the demand for high-density connection of internal wires to printed circuit boards. It is compact, highly reliable and low in cost.



Features

• **Reliable contact**

The contact has long dimples near the center to ensure a good connection at all times, even under conditions of vibration and mechanical abuse, and when used with low voltage and low current circuits.

• **Easy and effective crimping**

Although the contact is compact, it has a long wire strip holding length of 2.6 +/- 0.4mm (.102" +/- .016"). This long length simplifies automatic crimping and the crimping of shielded wires.

• **Fully shrouded header**

The fully shrouded header has walls on all four sides to prevent improper connection to the mating housing and to prevent the instruction of flux and other contaminants.

• **High solderable square post**

The square post is copper-undercoated and tin/lead-plated for superior solderability and for whisker prevention.

• **Printed circuit board retention mechanism**

The solder side of the header has a retention mechanism that prevents it from floating during soldering. As a result, the header can be positioned accurately.

• **Compatible with the KR insulation displacement connector**

The same shrouded header can be used for either PH crimp-style connector or KR insulation displacement connector. This allows both types of connector to be used interchangeably without replacing the header.

• **Surface mount model (SMT)**

This connector is also available in a surface mount configuration. Its housing is made of heat resistant resin so that it is not adversely affected during reflow soldering. Because of its tiny size and ability to be surface mounted, this connector meets the demand for high-density mounting of components inside electronic products.

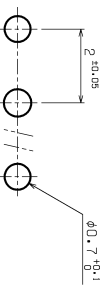
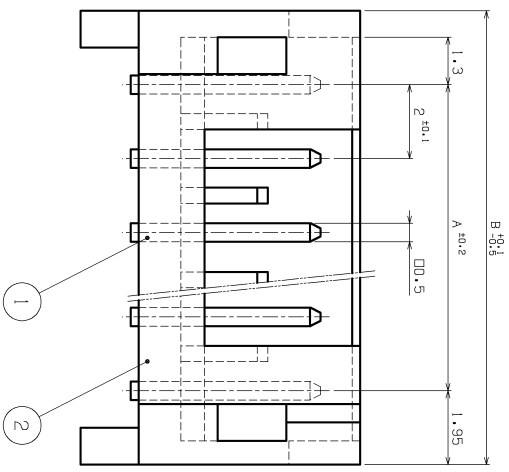
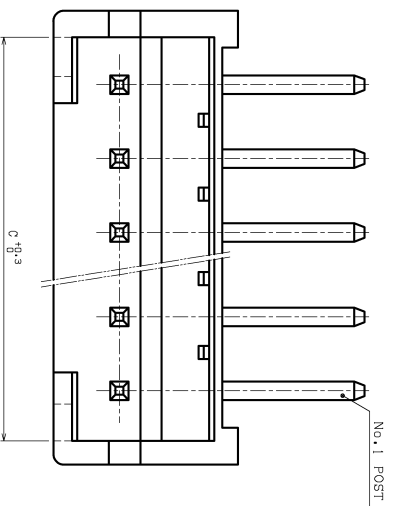
Specifications

- Current rating: 2A AC, DC (AWG #24)
- Voltage rating: 100V AC, DC
- Temperature range: -25°C to +85°C
(including temperature rise in applying electrical current)
- Contact resistance: Initial value/10m Ω max.
After environmental testing/20m Ω max.
- Insulation resistance: 1,000M Ω min.
- Withstanding voltage: 800V AC/minute
- Applicable wire: AWG #32 to #24
- Applicable PC board thickness: 0.8 to 1.6mm (.031" to .063")
- * Contact JST if Lead-Free product is required.
- * Refer to "General Instruction and Notice when using Terminals and Connectors" at the end of this catalog.
- * Contact JST for details.

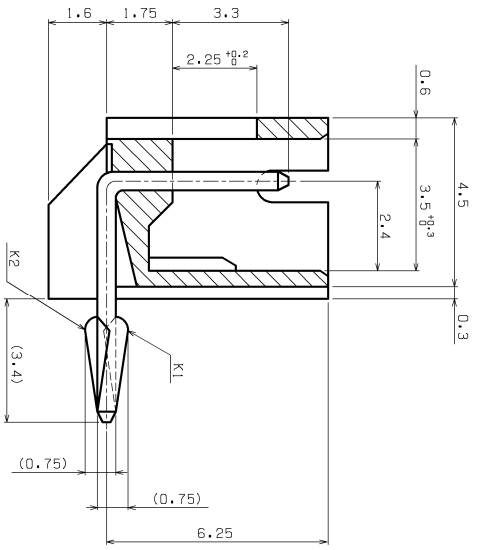
Standards

- Recognized E60389
- 1 Certified LR20812
- 2 R75087

REV	DESCRIPTION	DATE	DESIGNED
1			



Recommendable P.C.Board hole layout



Part No.	A	B	C	1	2	3	4	5	6	7	8	9	10	11	12			
16	S16B-PH-K-S	(LF) (SN)	30.0	33.9	32.6	○K1	○	○	○	○	○	○	○	○	○	○		
15	S15B-PH-K-S	(LF) (SN)	28.0	31.9	30.6	○K1	○	○	○	○	○	○	○	○	○	○		
14	S14B-PH-K-S	(LF) (SN)	26.0	29.9	28.6	○K1	○	○	○	○	○	○	○	○	○	○		
13	S13B-PH-K-S	(LF) (SN)	24.0	27.9	26.6	○K1	○	○	○	○	○	○	○	○	○	○		
12	S12B-PH-K-S	(LF) (SN)	22.0	25.9	24.6	○K1	○	○	○	○	○	○	○	○	○	○		
11	S11B-PH-K-S	(LF) (SN)	20.0	23.9	22.6	○K1	○	○	○	○	○	○	○	○	○	○		
10	S10B-PH-K-S	(LF) (SN)	18.0	21.9	20.6	○K1	○	○	○	○	○	○	○	○	○	○		
9	S 9B-PH-K-S	(LF) (SN)	16.0	19.9	18.6	○K1	○	○	○	○	○	○	○	○	○	○		
8	S 8B-PH-K-S	(LF) (SN)	14.0	17.9	16.6	○K1	○	○	○	○	○	○	○	○	○	○		
7	S 7B-PH-K-S	(LF) (SN)	12.0	15.9	14.6	○K1	○	○	○	○	○	○	○	○	○	○		
6	S 6B-PH-K-S	(LF) (SN)	10.0	13.9	12.6	○K1	○	○	○	○	○	○	○	○	○	○		
5	S 5B-PH-K-S	(LF) (SN)	8.0	11.9	10.6	○K1	○	○	○	○	○	○	○	○	○	○		
4	S 4B-PH-K-S	(LF) (SN)	6.0	9.9	8.6	○K1	○	○	○	○	○	○	○	○	○	○		
3	S 3B-PH-K-S	(LF) (SN)	4.0	7.9	6.6	○K1	○	○	○	○	○	○	○	○	○	○		
2	S 2B-PH-K-S	(LF) (SN)	2.0	5.9	4.6	○K1	○	○	○	○	○	○	○	○	○	○		
Clinch	Part No.		A	B	C	1615	1413	1211	10	9	8	7	6	5	4	3	2	1

Table 1

CLINCHED PINS DETAILS
K1, K2, O: POST UNCLINCHED

NOTE
1. Unless otherwise specified, tolerances are ±0.3
2. Clinched pins directions and locations are shown table 1.
3. Tolerance of hole pitch on PCB are not cumulative.

No.	PART NAME	MATERIAL	PROJECTION DATE	CUSTOMER	REMARKS																								
2	WAFER	66NYLON		UL94V-0, NATURAL																									
1	POST	BRASS		ROPPER-UNGERPLATED FINISHED SUPERFINE FINISH																									
<table border="1"> <tr> <td>SIZE</td> <td>UNIT</td> <td>SCALE</td> <td>PROJECTION DATE</td> <td>DRAWN</td> <td>SERIES NAME</td> </tr> <tr> <td>A2</td> <td>METRIC</td> <td>10:1</td> <td>JAN. 6, 2005</td> <td>N.H</td> <td>PH, KR CONNECTOR</td> </tr> <tr> <td>APPROVED</td> <td>CHECKED</td> <td>DESIGNED</td> <td>DRAWN</td> <td>PART No.</td> <td>PART No.</td> </tr> <tr> <td>S.K</td> <td>T.S</td> <td>T.S</td> <td>N.H</td> <td>S (J B-PH-K-S (LF) (SN)</td> <td>RD</td> </tr> </table>						SIZE	UNIT	SCALE	PROJECTION DATE	DRAWN	SERIES NAME	A2	METRIC	10:1	JAN. 6, 2005	N.H	PH, KR CONNECTOR	APPROVED	CHECKED	DESIGNED	DRAWN	PART No.	PART No.	S.K	T.S	T.S	N.H	S (J B-PH-K-S (LF) (SN)	RD
SIZE	UNIT	SCALE	PROJECTION DATE	DRAWN	SERIES NAME																								
A2	METRIC	10:1	JAN. 6, 2005	N.H	PH, KR CONNECTOR																								
APPROVED	CHECKED	DESIGNED	DRAWN	PART No.	PART No.																								
S.K	T.S	T.S	N.H	S (J B-PH-K-S (LF) (SN)	RD																								
<table border="1"> <tr> <td>DRAWING No.</td> <td>KRD-35429</td> <td>DRAWING No.</td> <td>KRD-35429</td> </tr> </table>						DRAWING No.	KRD-35429	DRAWING No.	KRD-35429																				
DRAWING No.	KRD-35429	DRAWING No.	KRD-35429																										

JST J.S.T.MFG.CO., LTD.

X-ON Electronics

Largest Supplier of Electrical and Electronic Components

Click to view similar products for [FFC & FPC Connectors](#) category:

Click to view products by [JST manufacturer](#):

Other Similar products are found below :

[HFW11R-1STE1H1LF](#) [FH29B-100S-0.2SHW\(99\)](#) [FA5S008HP1](#) [FH29B-120S-0.2SHW\(99\)](#) [FH29B-80S-0.2SHW\(99\)](#) [FHS-16](#) [FPH-2022G](#)
[52610-1075](#) [52610-1275](#) [52610-1934](#) [XF3M\(1\)-1415-1B-R100](#) [501864-3091-TR225](#) [0525594033](#) [086210010340800](#) [086222026001800](#)
[52271-2869-CUT-TAPE](#) [62674-201121DLF](#) [62684-36210E9ALF](#) [52610-1675](#) [52746-1671-TR250](#) [10051922-2810EHLF](#) [6-520415-9](#)
[BD021-09A-A1-0350-0200-0550-LD](#) [SFV6R-1STE9HLF](#) [XF3M-2915-1B-R100](#) [1658549-1](#) [62674-221121ALF](#) [46214008010800](#)
[046298003000883](#) [151660622](#) [842-816-2630-035](#) [AYF530665TA](#) [AYF351525](#) [046296011930846+](#) [AYF352325A](#) [046254020000800+](#)
[FH19C-13S-0.5SH\(99\)](#) [FH39J-51S-0.3SHW\(99\)](#) [AYF355125A](#) [AYF530365TA](#) [FH29B-44S-0.2SHW\(99\)](#) [SFW5R-2STAE9LF](#) [AYF351125A](#)
[AYF350725A](#) [62684-502100AHLF](#) [FH39-61S-0.3SHW\(99\)](#) [AYF414035A](#) [10064555-172520HLF](#) [AYF212335A](#) [504754-2500](#)