

SANMOTION F2

2-PHASE STEPPING SYSTEMS

Compact 2-Phase Stepping Motor



14 mm sq.

1.8° /step **Ultra-compact** **RoHS**
Bipolar winding, Lead wire type

Customizing

- Hollow shaft
- Shaft modification

Varies depending on the model number and quantity.

Contact us for details.

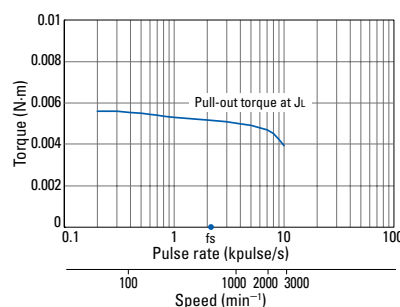
Bipolar winding, Lead wire type

Model number		Holding torque at 2-phase excitation [N·m] or greater	Rated current A/phase	Wiring resistance Ω/phase	Wiring inductance mH/phase	Rotor inertia [$\times 10^{-4}$ kg·m ²]	Mass (Weight) [kg]	Motor length (L) [mm]
Single shaft	Dual shaft							
SH2141-5541	SH2141-5511	0.0065	0.3	21	4.2	0.00058	0.03	30
SH2145-5641	SH2145-5611	0.01	0.4	19	4	0.0011	0.042	43.8

Characteristics diagram

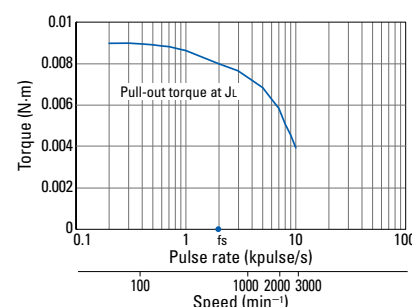
SH2141-5541 SH2141-5511

Constant current circuit
Power supply voltage: 24 VDC
Wiring current: 0.3 A/phase, 2-phase excitation (full-step)
 $J_L = 0.01 \times 10^{-4}$ kg·m²
pulley balancer method
fs: Maximum starting frequency when not loaded

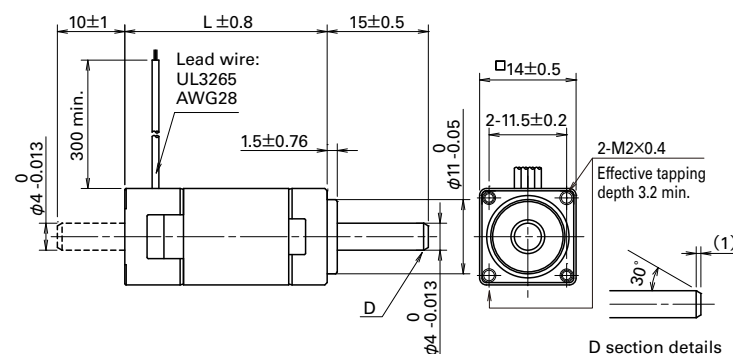


SH2145-5641 SH2145-5611

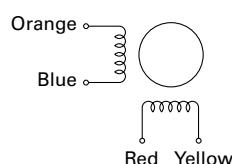
Constant current circuit
Power supply voltage: 24 VDC
Wiring current: 0.4 A/phase, 2-phase excitation (full-step)
 $J_L = 0.01 \times 10^{-4}$ kg·m²
pulley balancer method
fs: Maximum starting frequency when not loaded



Dimensions [Unit: mm]



Internal wiring



Compatible drivers

To be supplied by customers.
If you require assistance finding a driver, contact us for details.

X-ON Electronics

Largest Supplier of Electrical and Electronic Components

Click to view similar products for [sanyo denki manufacturer](#):

Other Similar products are found below :

[9A0812G401](#) [9A0824H401](#) [9G0824H102](#) [9GA0812P1H61](#) [9GA0812P1S61](#) [9GL1212F101](#) [9GV1412P1G001](#) [9GV3612G301](#)
[9WG1212H102](#) [9WG1224G101](#) [SM2861-5255](#) [9GT0912P1M001](#) [9GV0312E302](#) [9S1212F4011](#) [9SG5748P5H01](#) [489-007-L21](#) [103H5208-5240](#) [103H7126-1740](#) [103H7822-5740](#) [109-1001F13](#) [109-1003M30](#) [109-313](#) [109L1748H501](#) [109L5712H501](#) [109R0824S4D01](#) [109-1069](#)
[109BF24HD2](#) [9L0412H301](#) [9GA0812P1S61P](#) [9G1212P4G03](#) [9G0612P1G03](#) [9CRB0812P8G001](#) [103H8221-5141](#) [103H8223-6340](#)
[9LG1248P1H001](#) [SH1603-5240](#) [9GA0812P1H611](#) [9BD12SC6-1](#) [109P0824H701](#) [109-049C](#) [103H7123-5740](#) [9AH0912P4H03](#)
[9G1224G1D01](#) [9G1224M4D011](#) [9GV0824P1G03](#) [109P0624W602](#) [9WF0924S201](#) [109E1724M501](#) [9GA0848P2S0011](#) [9G1248E1D01](#)