

Si PIN photodiode S5971, S5972, S5973 series

High-speed photodiodes (S5973 series: 1 GHz)



S5971, S5972 and S5973 series are high-speed Si PIN photodiodes designed for visible to near infrared light detection. These photodiodes provide wideband characteristics at a low bias, making them suitable for optical communications and other high-speed photometry. S5973 series includes a mini-lens type (S5973-01) that can be efficiently coupled to an optical fiber and a violet sensitivity enhanced type (S5973-02) ideal for violet laser detection.

Features

- High-speed response
S5971 : 100 MHz ($V_R=10$ V)
S5972 : 500 MHz ($V_R=10$ V)
S5973 series: 1 GHz ($V_R=3.3$ V)
- Low price
- High sensitivity
S5973-02: 0.3 A/W, QE=91 % ($\lambda=410$ nm)
- High reliability

Applications

- Optical fiber communications
- High-speed photometry
- Violet laser detection (S5973-02)

General ratings / Absolute maximum ratings

Type No.	Dimensional outline/ Window material *1	Package (mm)	Active area size (mm)	Effective active area (mm ²)	Absolute maximum ratings			
					Reverse voltage V_R Max. (V)	Power dissipation P (mW)	Operating temperature T_{opr} (°C)	Storage temperature T_{stg} (°C)
S5971	①/K	TO-18	$\phi 1.2$	1.1	20	50	-40 to +100	-55 to +125
S5972			$\phi 0.8$	0.5				
S5973			$\phi 0.4$	0.12				
S5973-01	②/L							
S5973-02	③/K							

Electrical and optical characteristics

Type No.	Spectral response range λ (nm)	Peak sensitivity wavelength λ_p (nm)	Photo sensitivity S (A/W)				Short circuit current I_{sc} 100 lx (μ A)	Dark current I_D		Temp. coefficient of I_D T_{CID} (times/°C)	Cut-off frequency f_c (GHz)	Terminal capacitance C_t f=1 MHz (pF)	NEP $V_R=10$ V (W/Hz ^{1/2})								
			λ_p	660 nm	780 nm	830 nm		$I_{D, Typ.}$ (nA)	$I_{D, Max.}$ (nA)												
S5971	320 to 1060	900	0.64	0.44	0.55	0.6	1.0	0.07 *3	1 *3	1.15	0.1 *3	3 *3	7.4 × 10 ⁻¹⁵								
S5972		800	0.57			0.55	0.42	0.01 *3	0.5 *3		3.1 × 10 ⁻¹⁵										
S5973	320 to 1000	760	0.52	0.45	0.3 *2	0.42	0.37	0.09	0.001 *4	0.1 *4	1 *4	1.6 *4	1.5 × 10 ⁻¹⁵								
S5973-01																					
S5973-02																					

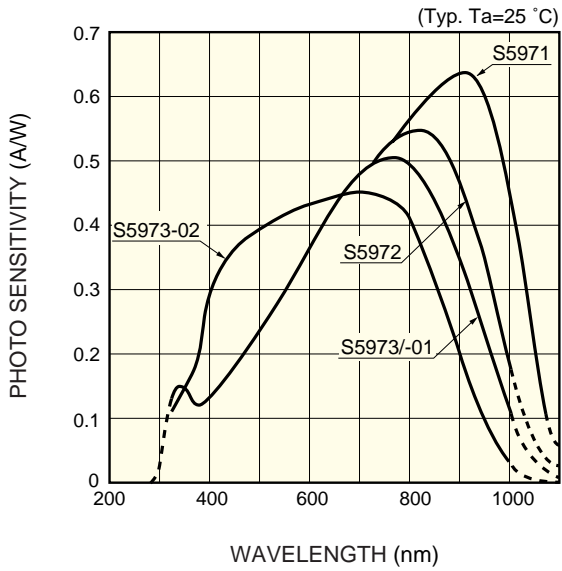
*1: Window material K: borosilicate glass, L: lens type borosilicate glass

*2: $\lambda=410$ nm

*3: $V_R=10$ V

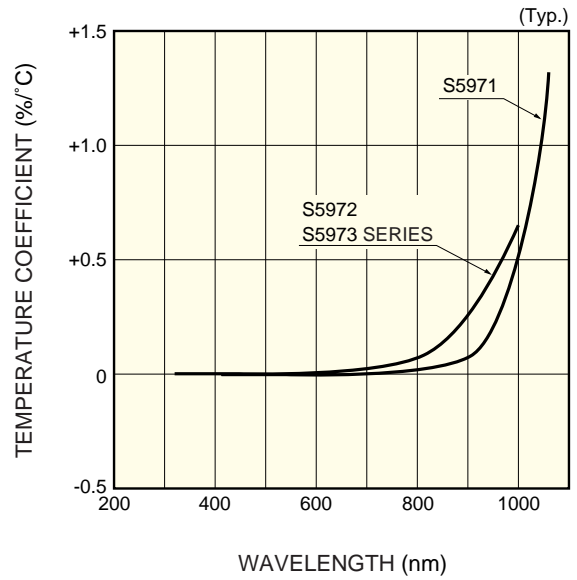
*4: $V_R=3.3$ V

■ Spectral response



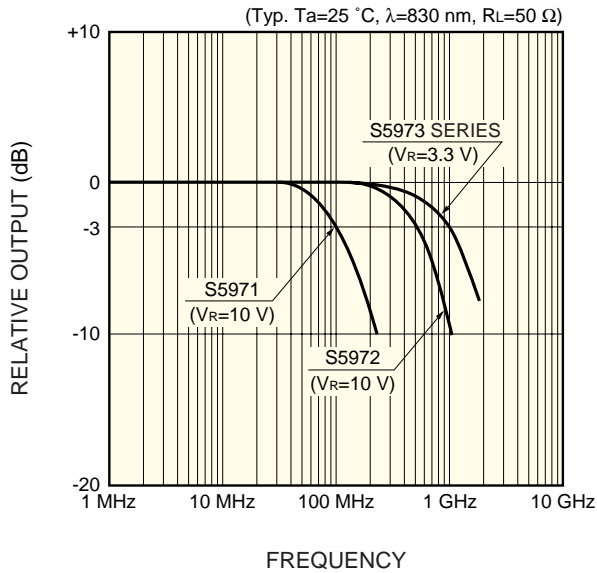
KPINB0157EA

■ Photo sensitivity temperature characteristics



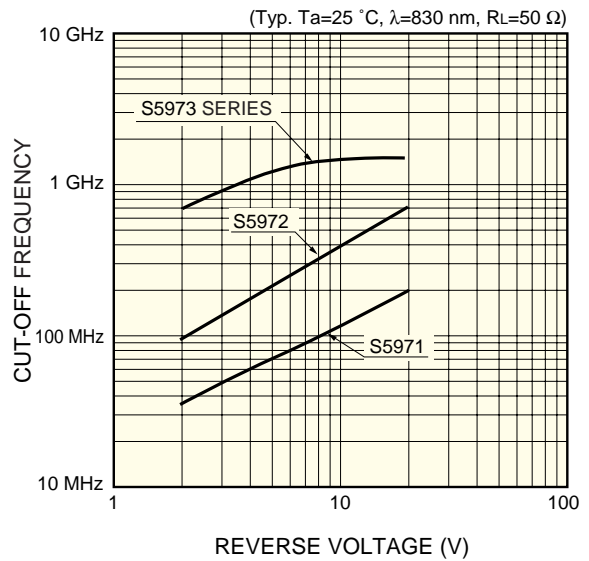
KPINB0158EA

■ Frequency response



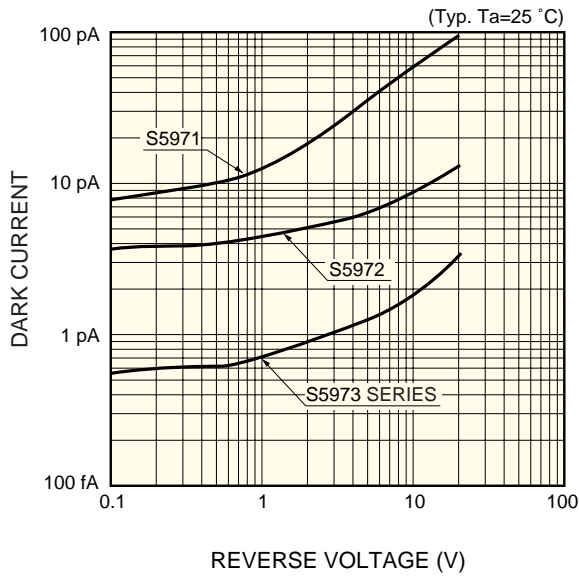
KPINB0159EB

■ Cut-off frequency vs. reverse voltage



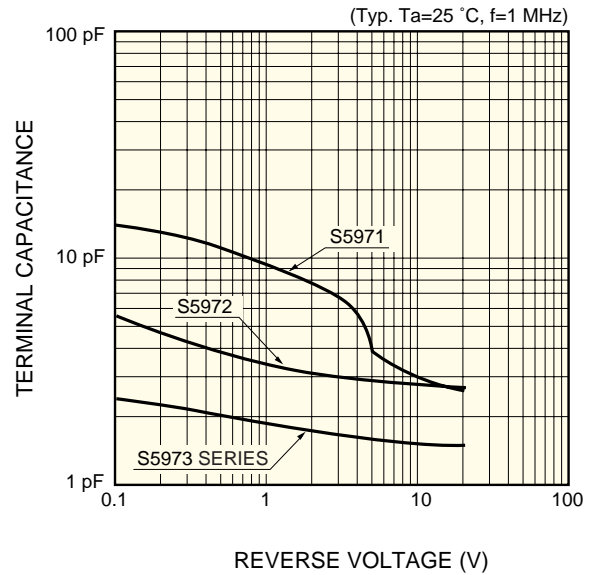
KPINB0160EB

■ Dark current vs. reverse voltage



KPINB0161EA

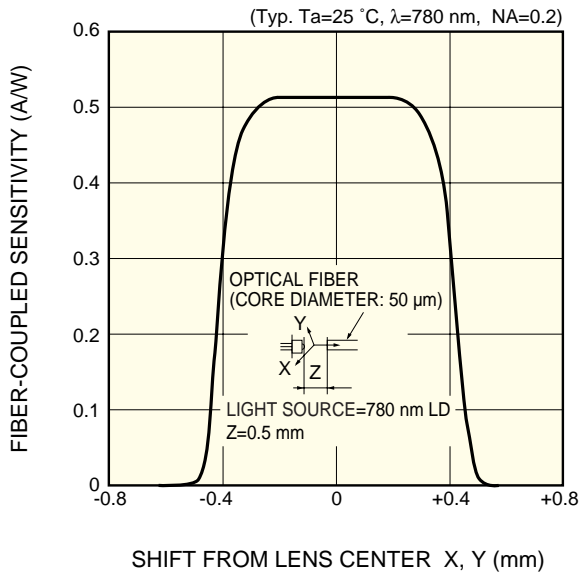
■ Terminal capacitance vs. reverse voltage



KPINB0162EA

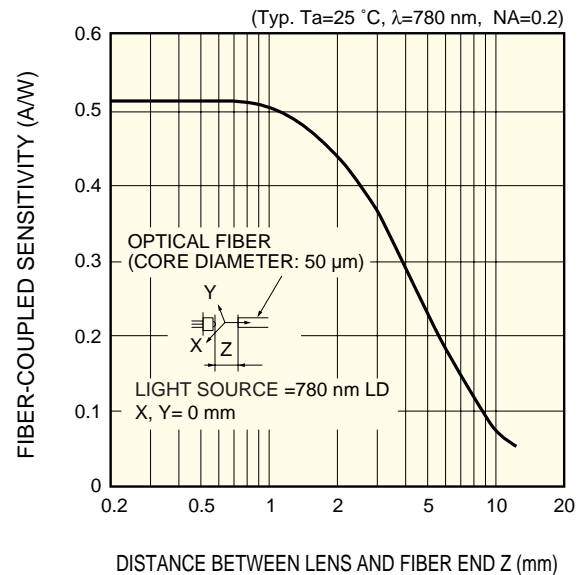
■ Fiber coupling characteristics (S5973-01)

X, Y direction



KPINB0088EA

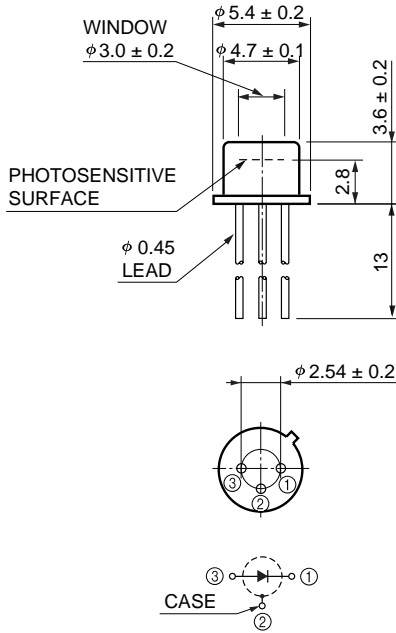
Z direction



KPINB0089EA

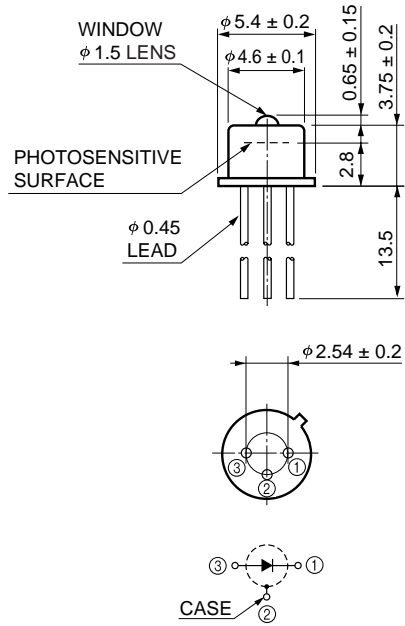
■ Dimensional outlines (unit: mm)

① S5971, S5972, S5973



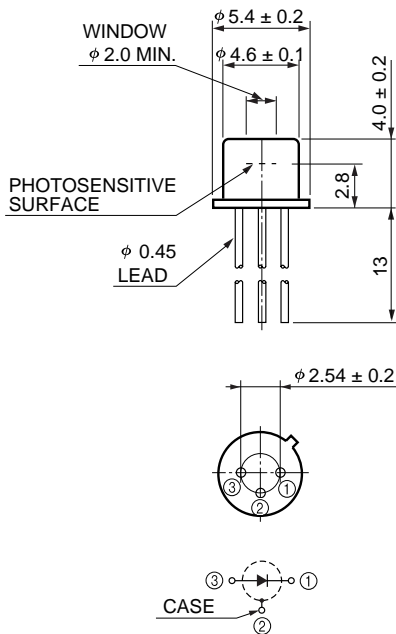
KPINA0022EB

② S5973-01



KPINA0023EA

③ S5973-02



KPINA0061EA

HAMAMATSU

Information furnished by HAMAMATSU is believed to be reliable. However, no responsibility is assumed for possible inaccuracies or omissions. Specifications are subject to change without notice. No patent rights are granted to any of the circuits described herein. ©2003 Hamamatsu Photonics K.K.

HAMAMATSU PHOTONICS K.K., Solid State Division

1126-1 Ichino-cho, Hamamatsu City, 435-8558 Japan, Telephone: (81) 053-434-3311, Fax: (81) 053-434-5184, <http://www.hamamatsu.com>

U.S.A.: Hamamatsu Corporation: 360 Foothill Road, P.O.Box 6910, Bridgewater, N.J. 08807-0910, U.S.A., Telephone: (1) 908-231-0960, Fax: (1) 908-231-1218

Germany: Hamamatsu Photonics Deutschland GmbH: Arzbergerstr. 10, D-82211 Herrsching am Ammersee, Germany, Telephone: (49) 08152-3750, Fax: (49) 08152-2658

France: Hamamatsu Photonics France S.A.R.L.: 8, Rue du Saule Trappu, Parc du Moulin de Massy, 91882 Massy Cedex, France, Telephone: 33-(1) 69 53 71 00, Fax: 33-(1) 69 53 71 10

United Kingdom: Hamamatsu Photonics UK Limited: 2 Howard Court, 10 Tewin Road, Welwyn Garden City, Hertfordshire AL7 1BW, United Kingdom, Telephone: (44) 1707-294888, Fax: (44) 1707-325777

North Europe: Hamamatsu Photonics Norden AB: Smidesvägen 12, SE-171 41 Solna, Sweden, Telephone: (46) 8-509-031-00, Fax: (46) 8-509-031-01

Italy: Hamamatsu Photonics Italia S.R.L.: Strada della Moia, 1/E, 20020 Arese, (Milano), Italy, Telephone: (39) 02-935-81-733, Fax: (39) 02-935-81-741

X-ON Electronics

Largest Supplier of Electrical and Electronic Components

Click to view similar products for [hamamatsu](#) manufacturer:

Other Similar products are found below :

[Hamamatsu](#)