



SOCKETS FOR C4 AND C5 RELAYS

- Built in retaining clip
- Removable label marking facility
- Two level terminals
- DIN rail, solder tag or PCB mount

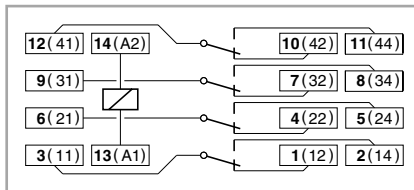


S4-B

Two level screws
Logic wiring

Integrated hold-down clip and removable marking label. DIN rail or panel mountable. EN/DIN and sequential numbering. According to EN60947

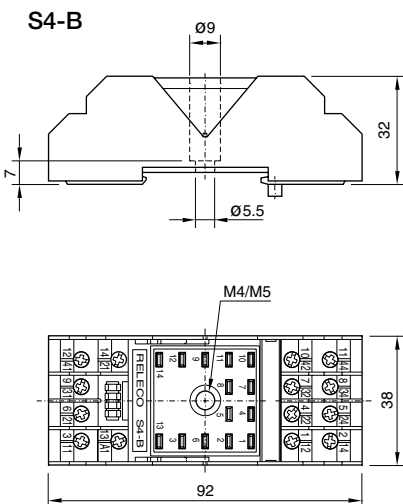
Wiring diagram



Specifications

Nominal load 10 A/250 V
Dielectric strength (adjacent screws) 2,5 KV
Dielectric strength (screws/rail) 2,5 KV
Max. screw torque 1,2 Nm
Screw dimensions M3, Pozi
Wire in-lets capacity:
Solid wire 4 mm² or 2 x 2,25 mm²
Multi-core 22 - 14 AWG

Lloyd's (N) (FI)

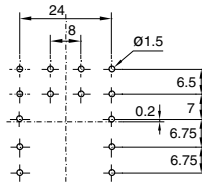


S4-L S4-P S4-PO

14 pin, solder and printed circuit tags

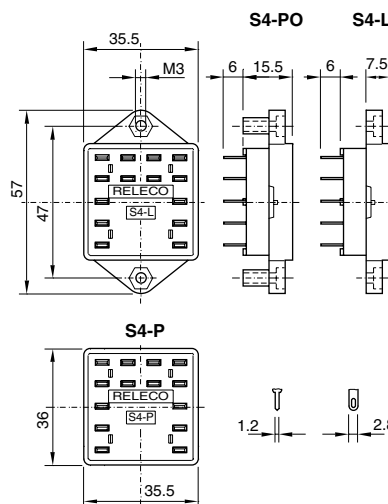
- S4-L Flange panel mountable.
- S4-P Printed circuit tags.
- S4-PO Printed circuit tags with flange.

Printed circuit lay-out



Specifications

Nominal load 10 A/250 V
Dielectric strength (adjacent pin) 2,5 KV
Hard brass tin-plated terminals

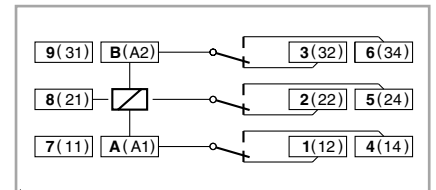


S5-S

Two level screws
Logic wiring

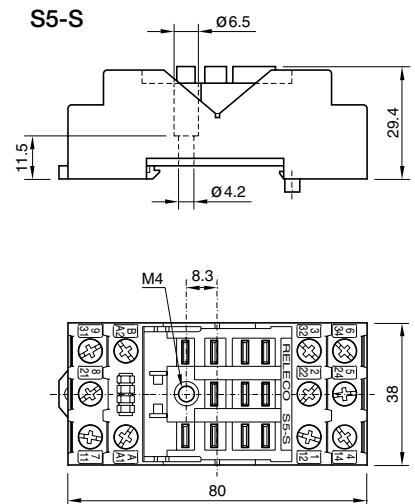
Integrated hold-down clip and removable marking label. DIN rail or panel mountable. EN/DIN and sequential numbering. According to EN60947

Wiring diagram



Specifications

Nominal load 16 A/400 V
Dielectric strength (adjacent screws) 2,5 KV
Dielectric strength (screws/rail) 2,5 KV
Max. screw torque 1,2 Nm
Screw dimensions M3, Pozi
Wire in-lets capacity:
Solid wire 4 mm² or 2 x 2,25 mm²
Multi-core 22 - 14 AWG



X-ON Electronics

Largest Supplier of Electrical and Electronic Components

Click to view similar products for [releco](#) manufacturer:

Other Similar products are found below :

[S-12](#) [S2B + S2BC](#) [C10A10X230A](#) [S4-B+S3-C](#) [C3-A30X24D](#) [C12A21BX24AD](#) [C2-A20X230A](#) [C7-A20X24D](#) [C4-A40X230A](#)
[C10A10X24D](#) [S9-M](#) [C4-A40X24D](#) [C9-A41X115A](#)