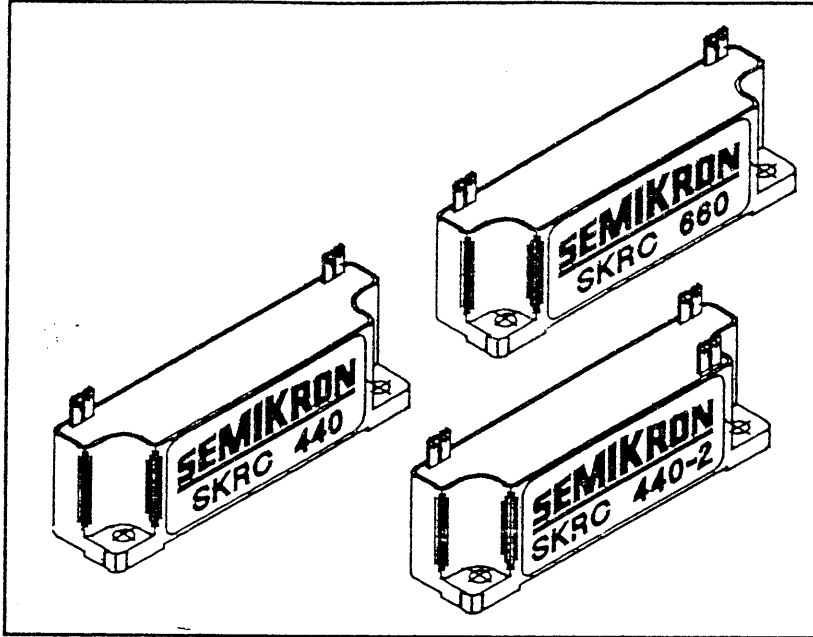


362-517

SKRC 440

SEMIKRON

innovation+service



SKRC 440
SKRC 440-2
SKRC 660
Dv/Dt
SNUBBER
NETWORKS

SKRC 440/660 are economic RC Snubber Networks for up to 500A RMS load current applications. The modules are primarily designed to limit the rate of rise of voltage spikes which may exceed the Dv/Dt rating of SCR's. Besides protection, the module will also assist in latching SCR's used for low level inductive load currents.

The SKRC Module can also be supplied incorporating an optional MOV* (Metal Oxide Varistor) forming an excellent protection unit for semiconductor devices against high energy level voltage spikes. The packaging concept allows modules to be mounted directly alongside SEMIPACKS and the electrical connections are made using 2.8mm push on connectors.

Features

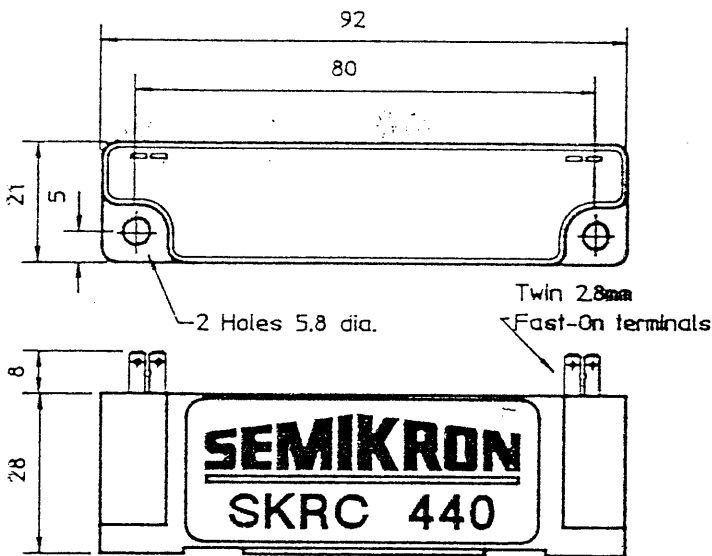
- Low Cost
- 660V operation
- 440V operation
- MOV option *
- Compact Dimensions
- Semipack Semistack Compatible
- Encapsulated Module
- Easy Mounting
- UL Approved Materials

* To Special Order Only

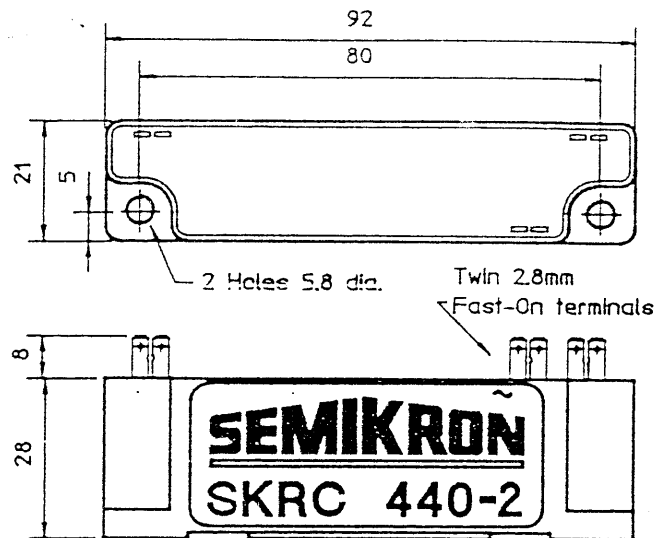
Specifications

Dv/Dt Suppression - will protect SCR's with Dv/Dt rating of 100V/uS nom.	
Operating Voltages	SKRC 440 / SKRC440-2 = 440V RMS ±10% SKRC 660 = 660V RMS ±10%
Operating Frequency	50/60Hz
MOV (optional)	22-100 Joules
Weight	75 grammes
Temperature Range	-40°C to +50°C
Mounting Holes	80mm centres, M5 screws
Packing Encapsulation Materials	UL94-V0

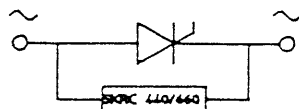
SKRC 440 & 660 Module Dimensions



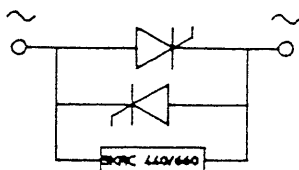
SKRC 440-2 Module Dimensions



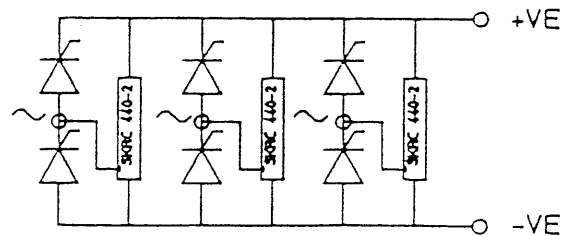
TYPICAL APPLICATIONS



SINGLE SCR



INVERSE PAIR



THREE PHASE BRIDGE

Order Code

SKRC 440	Unit with Single RC Network
SKRC 440-2	Unit with Double RC Network
SKRC 660	Unit with Single RC Network

* For Mov option state Joule rating required and system voltage.
Special Order Only.

SEMIKRON

innovation + service

4 Marengate Drive
Hertford SG13 7BQ
Tel : 0992 584677
Fax : 0992 554942

PUB SK1500 1992/4

X-ON Electronics

Largest Supplier of Electrical and Electronic Components

Click to view similar products for [semikron](#) manufacturer:

Other Similar products are found below :

[SKD 60/12](#) [SKKT 42B12 E](#) [SKM200GB12T4](#) [SKR 130/14](#) [SKCH 40/16](#) [SKD 30/04A1](#) [SKKD 26/14](#) [SKKT 92/18E](#) [SKYPER 32 R](#) [SKKH 27/16E](#) [SKKD 380/16](#) [SKD 110/08](#) [SKD 62/12](#) [SKIIP 36NAB126V1 M20](#) [SKKD 162/20H4](#) [SKKD 380/08](#) [SKKH 72/20E H4](#) [SKKT 250/12E](#) [SKN71/02](#) [SKN 100/12](#) [SKN 100/14](#) [SKR 100/08](#) [SKIIP 24AC12T4V1 M20](#) [SKIIP 28AHB16V1 M20](#) [SKIIP 35NAB126V10 M20](#) [SKKH 570/16E](#) [SKKE 380/16](#) [SKR 130/18](#) [SK 45 UT 16](#) [SKKT 570/18E](#) [SKN 130/14](#) [SKPC200-240](#) [SKPC100Z-440](#) [SK 100 WT 12](#) [SK 25 UT 12](#) [SKR70/04](#) [SKD35/16](#) [SKKT 42/08E](#) [SKCH 40/08](#) [SKD 62/18](#) [SKD 82/08](#) [SKIIP 23NAB126V1 M20](#) [SKKQ 1200/14E](#) [SKR 60F12](#) [SKR 100/04](#) [SKR 100/14](#) [SKIIP 37AC12T4V1 M20](#) [SKD 60/16](#) [SKD 62/08](#) [SKDT 60/12](#)