

CINCH Jones Plugs and Sockets

RoHS Compliant This product is RoHS compliant.



JONES PLUGS / SOCKETS SERIES 300

Features:

- Solder lug terminals with .093" x .062" wiring holes
- Two-contact "Jones" connector is round, all others are rectangular
- For use in cable-to-panel and cable-to-cable applications
- Designed for light and medium duty
- Polarized to prevent wrong-way insertion



Specifications:

- Insulation material: molded monoblock, general purpose phenolic, black UL94V-1
- Contact material: plug - brass, socket - phosphor bronze
- Contact plating: mate tin
- RoHS compliant per Cinch documentation
- Operating temperature: up to +105°C
- Hood material: UL 94V-0
- Withstanding voltage: 730VACrms
- Current rating: 10A
- Contact resistance: 16mΩ max.

* Two-contact "Jones" round connector, Dimension "A" is the diameter.



Plug with Hood and 180° Cable Clamp

RoHS Compliant

For quantities of 200 and up, call for quote

MOUSER STOCK NO.	Cinch Part No.	Fig.	No. of Cont.	Dimensions: in.					Price Each			
				A	B	C	D	E	1	25	50	100
*538-P-302H-CCT	P-302H-CCT	A	2	ø.691	---	.953	.375	.359				
538-P-303H-CCT	P-303H-CCT	A	3	1.034	.472	.953	.313	.359				
538-P-304H-CCT	P-304H-CCT	A	4	.786	.724	.953	.375	.469				
538-P-306H-CCT	P-306H-CCT	A	6	1.036	.724	1.078	.438	.484				



Socket with Hood and 180° Cable Clamp

RoHS Compliant

• RoHS compliant per Cinch documentation

For quantities of 200 and up, call for quote

MOUSER STOCK NO.	Cinch Part No.	Fig.	No. of Cont.	Dimensions: in.					Price Each			
				A	B	C	D	E	1	25	50	100
*538-S-302H-CCT	S-302H-CCT	B	2	ø.691	---	.953	.375	.359				
538-S-303H-CCT	S-303H-CCT	B	3	1.034	.472	.953	.313	.359				
538-S-304H-CCT	S-304H-CCT	B	4	.786	.724	.953	.375	.469				
538-S-306H-CCT	S-306H-CCT	B	6	1.036	.724	1.078	.438	.484				



Plug with Hood, 180° Cable Clamp and Lock

RoHS Compliant

• RoHS compliant per Cinch documentation

For quantities of 200 and up, call for quote

MOUSER STOCK NO.	Cinch Part No.	Fig.	No. of Cont.	Dimensions: in.					Price Each			
				A	B	C	D	E	1	25	50	100
*538-P-302H-CCTL	P-302H-CCTL	C	2	ø.691	---	.953	.375	.359				
538-P-303H-CCTL	P-303H-CCTL	C	3	1.034	.472	.953	.313	.359				
538-P-304H-CCTL	P-304H-CCTL	C	4	.786	.724	.953	.375	.469				



Socket with Hood, 180° Cable Clamp and Keeper

RoHS Compliant

• RoHS compliant per Cinch documentation

For quantities of 200 and up, call for quote

MOUSER STOCK NO.	Cinch Part No.	Fig.	No. of Cont.	Dimensions: in.					Price Each			
				A	B	C	D	E	1	25	50	100
*538-S-302H-CCTK	S-302H-CCTK	D	2	ø.691	---	.953	.375	.359				
538-S-303H-CCTK	S-303H-CCTK	D	3	1.034	.472	.953	.313	.359				
538-S-304H-CCTK	S-304H-CCTK	D	4	.786	.724	.953	.375	.469				



Plug with Angle Bracket

RoHS Compliant

• RoHS compliant per Cinch documentation

For quantities of 200 and up, call for quote

MOUSER STOCK NO.	Cinch Part No.	Fig.	No. of Cont.	Dimensions: in.					Price Each			
				A	B	C	D	E	1	25	50	100
*538-P-302H-AB	P-302H-AB	E	2	ø.656	---	.969	1.219	.313				
538-P-303H-AB	P-303H-AB	E	3	1.000	.438	.750	1.062	.313				
538-P-304H-AB	P-304H-AB	E	4	.750	.688	1.000	1.312	.313				
538-P-306H-AB	P-306H-AB	E	6	1.000	.688	1.000	1.312	.313				



Socket with Angle Bracket

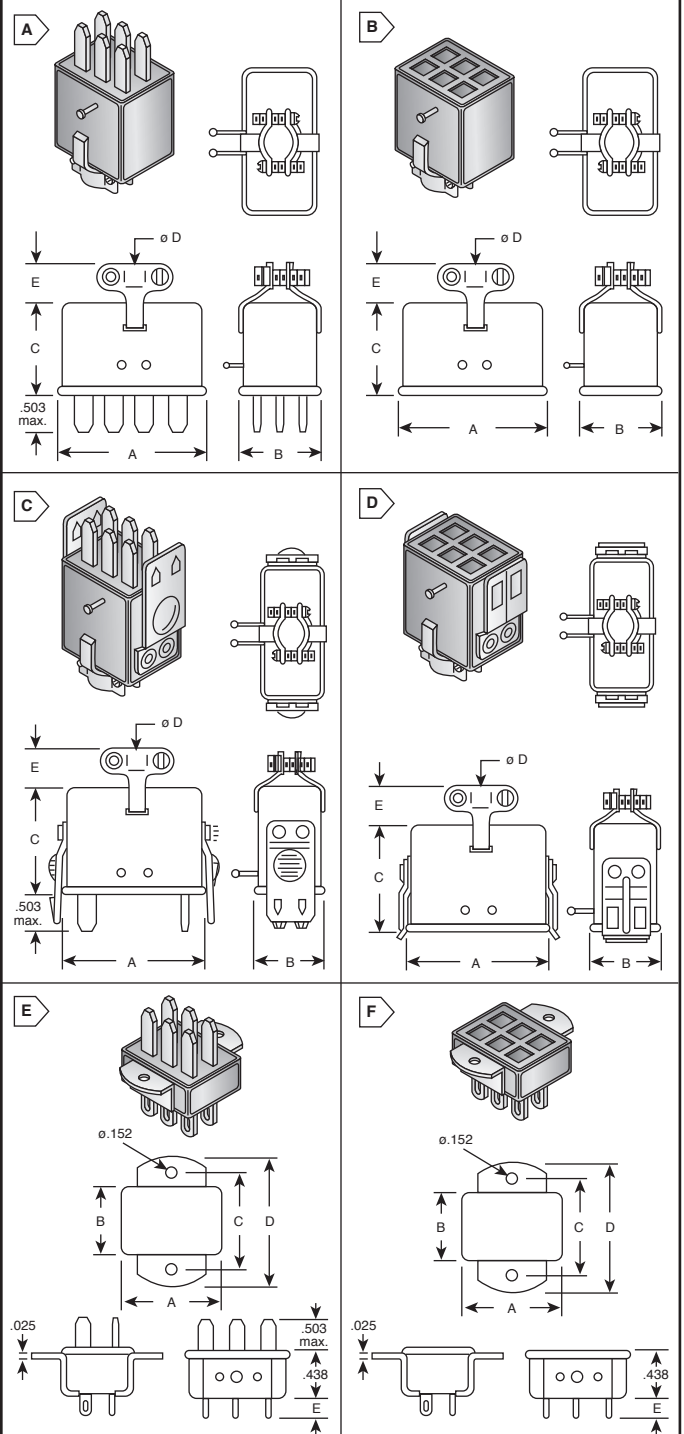
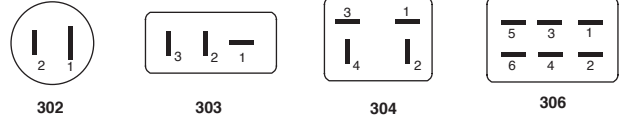
RoHS Compliant

• RoHS compliant per Cinch documentation

For quantities of 200 and up, call for quote

MOUSER STOCK NO.	Cinch Part No.	Fig.	No. of Cont.	Dimensions: in.					Price Each			
				A	B	C	D	E	1	25	50	100
*538-S-302H-AB	S-302H-AB	F	2	ø.656	---	.969	1.219	.297				
538-S-303H-AB	S-303H-AB	F	3	1.000	.438	.750	1.062	.297				
538-S-304H-AB	S-304H-AB	F	4	.750	.688	1.000	1.312	.297				
538-S-306H-AB	S-306H-AB	F	6	1.000	.688	1.000	1.312	.297				

Polarizing Patterns - 300 Series



X-ON Electronics

Authorized Distributor

Click to view similar products for [Jones Plugs & Sockets](#) category.

Click to view products by [Bel Fuse](#) manufacturer.

Other Similar products are found below :

[385400613](#) [385401505](#) [P2408CCE](#) [383300510](#) [P303HCCTL](#) [S304RP](#) [S321CCT](#)
[P2406HSB](#) [P2406HCCT](#) [P2404LAB](#) [P2404CCE](#) [14804250](#) [EN2997SE71212BN](#)
[MR50L](#) [1778981](#) [1779191](#) [1779091](#) [MR20LW](#) [LPC20PF02](#) [45951BU](#) [455830BU](#)
[455638BU](#) [41H](#) [383335610](#) [383318010](#)