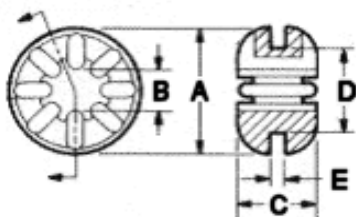


Vibration and shock absorbing Dampers



Highly damped soft TPO vibration and shock absorbing dampers. High loss coefficient and low resonance magnification. Available in 2 diameters, 3 panel thickness and 2 hardness's. Typical applications include HDD's and PCB's etc.

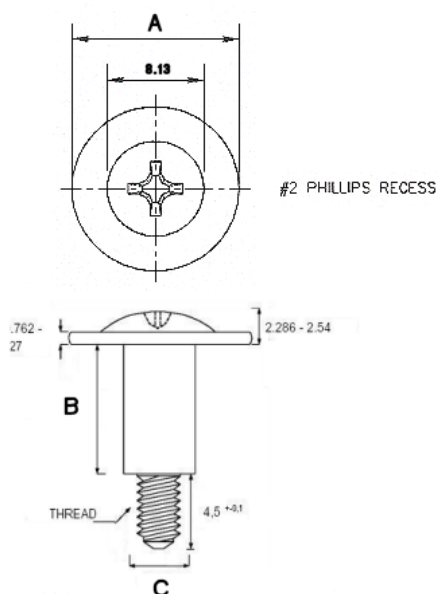
A one-piece UNC6-32 or M3 shoulder bolt is available for each size, and will ensure optimum performance and easy assembly.



| Part No | Shore Hardness | Dimensions (mm) | | | | |
|-------------|----------------|-----------------|-----------------|----------------|------------------------|----------------------|
| | | A Outer Dia | B Inside Dia | C Thickness | D Mounting hole Dia | E Panel Thickness |
| GVD-1010-40 | 40 | 9.5 | 4.0 | 5.8 | 6.4-7.0 | 1.0 |
| GVD-1012-40 | 40 | 9.5 | 4.0 | 5.8 | 6.4-7.0 | 1.2 |
| GVD-1016-40 | 40 | 9.5 | 4.0 | 5.8 | 6.4-7.0 | 1.6 |
| GVD-1010-55 | 55 | 9.5 | 4.0 | 5.8 | 6.4-7.0 | 1.2 |
| GVD-1012-55 | 55 | 9.5 | 4.0 | 5.8 | 6.4-7.0 | 1.4 |
| GVD-1016-55 | 55 | 9.5 | 4.0 | 5.8 | 6.4-7.0 | 1.6 |
| GVD-1410-40 | 40 | 14.0 | 4.8 | 8.1 | 9.6-10.0 | 1.0 |
| GVD-1412-40 | 40 | 14.0 | 4.8 | 8.1 | 9.6-10.0 | 1.2 |
| GVD-1416-40 | 40 | 14.0 | 4.8 | 8.1 | 9.6-10.0 | 1.6 |
| GVD-1410-55 | 55 | 14.0 | 4.8 | 8.1 | 9.6-10.0 | 1.2 |
| GVD-1412-55 | 55 | 14.0 | 4.8 | 8.1 | 9.6-10.0 | 1.4 |
| GVD-1416-55 | 55 | 14.0 | 4.8 | 8.1 | 9.6-10.0 | 1.6 |

Fixing Bolts.

A one piece-fixing bolt can replace a three-part assembly of screw, washer and tube. Designed to give optimum Compression to the GVD range of dampers. The threads are suitable for screwing directly into a HDD. Available in UNC 6-32 or M3 thread.



| Part No. | damper | Dimensions (mm) | | | |
|----------|--------|-----------------|------|------|---------|
| | | A | B | C | Thread |
| SCR10UNC | GVD-10 | 9 | 5.61 | 4.14 | UNC6-32 |
| SCR10M3 | GVD-10 | 9 | 5.61 | 4.14 | M3 |
| SCR14UNC | GVD-14 | 12.7 | 7.87 | 4.93 | UNC6-32 |
| SCR14M3 | GVD-14 | 12.7 | 7.87 | 4.93 | M3 |

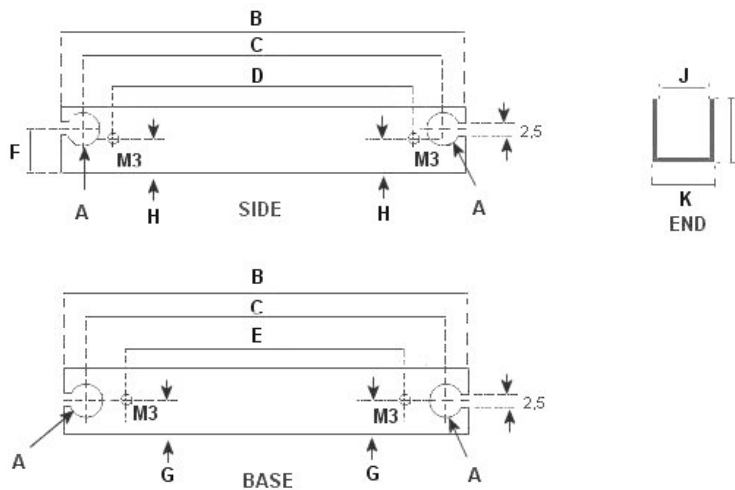
Damper and Mounting screw kit

GVSC- kit comprising of 8pcs of each of the GVD dampers the fixing screws.

Mounting Kits



HDD mounting brackets for both 3.5in and 2.5in HDD. Can be used for mounting HDD in either horizontal or vertical position. By using 8 dampers it can protect in XYZ directions. The Kit includes dampers and screws.



| Part No. | HDD size | Dimensions (mm) | | | | | | | | | | |
|----------|----------|-----------------|-----|-----|----|----|-----|-----|-----|----|----|----|
| | | A | B | C | D | E | F | G | H | I | J | K |
| GVD3.5MK | 3.5in | 9.5 | 114 | 101 | 80 | 80 | 14 | 10 | 10 | 20 | 18 | 20 |
| GVD2.5MK | 2.5in | 6.5 | 100 | 76 | 56 | 56 | 5.5 | 6.5 | 6.5 | 13 | 11 | 13 |

GelMec UK
 1-2 Steam Mill Lane
 Great Yarmouth
 Norfolk NR31 0JP
 Tel:0044 (0)1493 668622
 Fax : 0044 (0)1493 668622
 Email:sales@gelmc.co.uk

X-ON Electronics

Largest Supplier of Electrical and Electronic Components

Click to view similar products for [gel mec manufacturer](#):

Other Similar products are found below :

[GVD-1010-40](#) [GVD-1416-40](#) [GVD-1016-40](#)