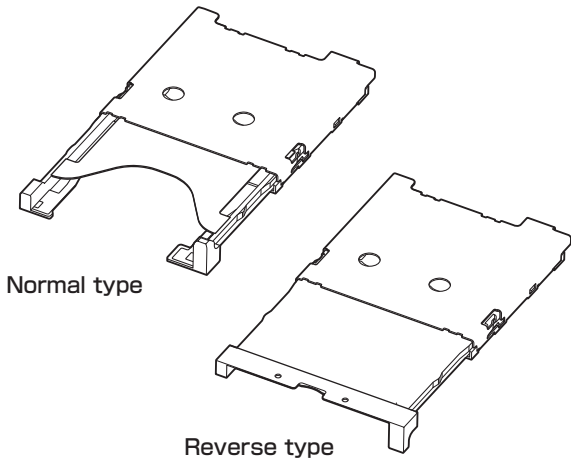


SCYT CONNECTOR

For Micro SIM card



Normal type

Reverse type

A tray type connector for the Micro SIM (Mini-UICC) card which downsized the conventional SIM card.

1.38mm height, Low profile

- Guide tray structure providing the good card insertion operability is adopted.
- Common use for normal and reverse type trays
- Adoption of two points contact structure

Specifications

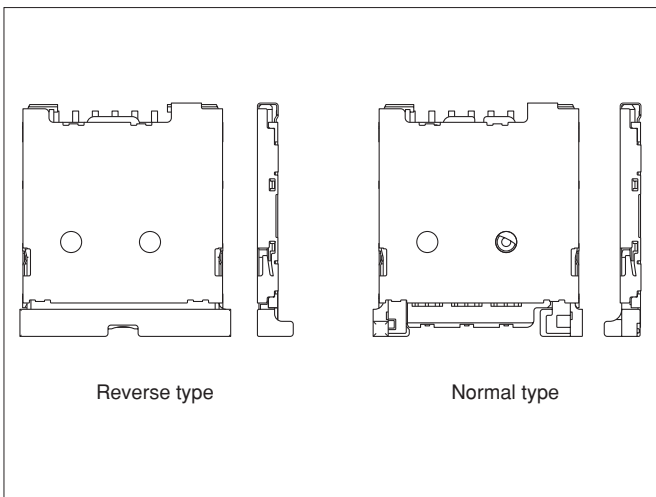
- Current rating: 0.7 A AC, DC
- Voltage rating: 30 V AC, DC
- Temperature range: -25°C to +85°C
(including temperature rise in applying electrical current)
- Contact resistance: Initial value/ 80 mΩ max.
After environmental testing/ 80 mΩ max.
(variation from initial value)
- Insulation resistance: 500 MΩ min.
- Withstanding voltage: 500 VAC/minute
- Applicable card: Mini-UICC card

* Refer to "General Instruction and Notice when using Terminals and Connectors" at the end of this catalog.

* Contact JST for details.

* Compliant with RoHS.

Connector



Reverse type

Normal type

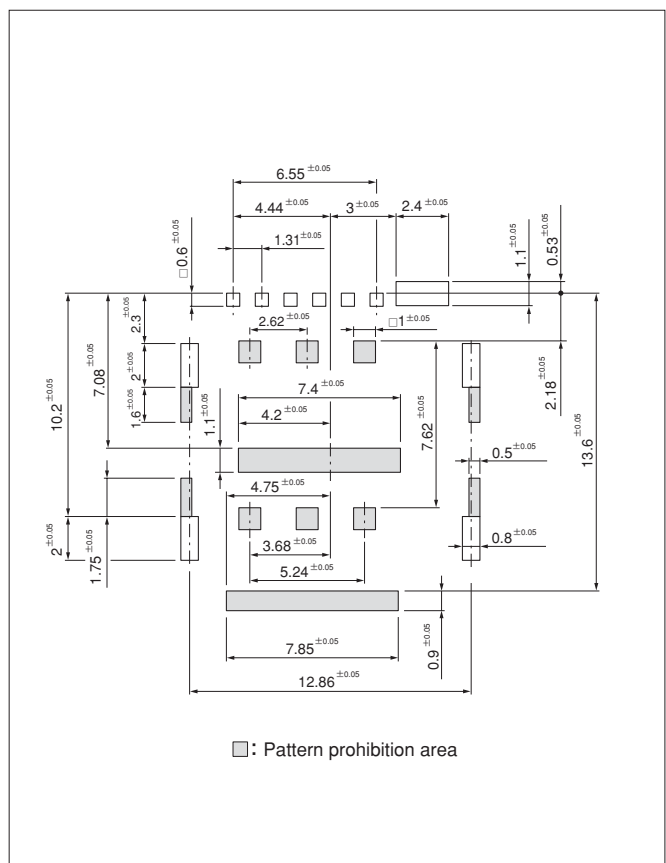
Type		Model No.	Q'ty
Normal	Embossed product	SCYT-6S-1K-03-ETB(HF)	2,500
Reverse	Tray-packed product	SCYT-NT-1K-SH2-R(HF)	425
Normal	Tray-packed product	SCYT-RT-1K-SH2-R(HF)	

Material and Finish

Contact: Copper alloy, nickel-undercoated, gold-plated
Housing: Heat resisting resin, black
Shell: Stainless, nickel-undercoated, gold-plated
Tray: Plastic part/ Heat resisting resin, black
Metal part/ Stainless

RoHS compliance This product displays (HF) on a label.
This products listed above are supplied on embossed-tape.

PC board layout



X-ON Electronics

Largest Supplier of Electrical and Electronic Components

Click to view similar products for [jst manufacturer](#):

Other Similar products are found below :

[B08B-JWPF-SK-R](#) [B3PS-VH](#) [B5B-XH-A](#) [B5P-VH](#) [B7B-XH-A](#) [B8B-PH-SM4-TB](#) [GS6-16](#) [B34B-PHDSS-B\(LF\)\(SN\)](#) [B3B-ZR-SM4-TF](#)
[B4B-PH-SM4-TB](#) [B4PS-VH](#) [B5B-PH-SM4-TB](#) [B6B-PH-SM4-TB](#) [B6B-XH-A](#) [B6PS-VH](#) [B7PS-VH](#) [B8B-PH-K-S](#) [IDH-KR-12](#) [10HR-4K](#)
[WC-ZE2426](#) [WC-691](#) [WC-122](#) [FVDDF5.5-375A \(LF\)](#) [FVWS2-S3.3 \(LF\)](#) [FVWS5.5-5 \(LF\)](#) [B6PS-VH\(LF\)\(SN\)](#) [FNGS12-6](#) [TWE0.5-8](#)
[FVGS4-1 \(LF\)](#) [HILR-06VF-1-S](#) [YRS-1090](#) [WC-GVH2630](#) [WC-PUD2](#) [S10B-PH-SM4-TB\(LF\)\(SN\)](#) [B4B-EH-A-TW \(LF\)\(SN\)](#) [B4B-XH-TW](#)
[\(LF\)\(SN\)](#) [B5B-PH-TW-S \(LF\)\(SN\)](#) [B8B-PH-TW-S \(LF\)\(SN\)](#) [B9B-XH-A](#) [BM03B-GHS-TBT](#) [BM04B-GHS-TBT](#) [BM06B-GHS-TBT](#)
[BM10B-GHS-TBT](#) [10FPZ-SM-TF\(LF\)\(SN\)](#) [YRS-852](#) [B04B-VYHSK-M-1](#) [WC-530](#) [B4B-PH-SM4-GW-TB](#) [B2B-ZR-SM4-TFT\(LF\)\(SN\)](#)
[S24B-PADSS-1\(LF\)\(SN\)](#)