

**Keyword:**  
**XOL – Extended Operating Life**

**Model:** **SL-840**

**Performance Data** **Size BEL**  
 (Typical values for batteries stored at 25 °C for one year)

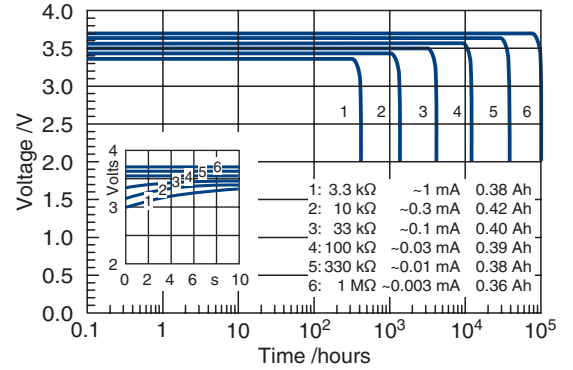
System	Li/SOCl <sub>2</sub>
Nominal voltage	3.6 V
Nominal capacity	0.42 Ah
Nominal current	0.5 mA
Max. continuous discharge current	5 mA
Max. pulse current capability	10 mA
Anode surface area	2.4 cm <sup>2</sup>
Lithium content	0.13 g
Weight	6 g
Volume	2.1 cm <sup>3</sup>
Temperature range	-55...+85 °C

**WARNING:**  
 Fire, explosion, and severe burn hazard. Do not recharge, disassemble, heat above 100 °C, incinerate, or expose contents to water.

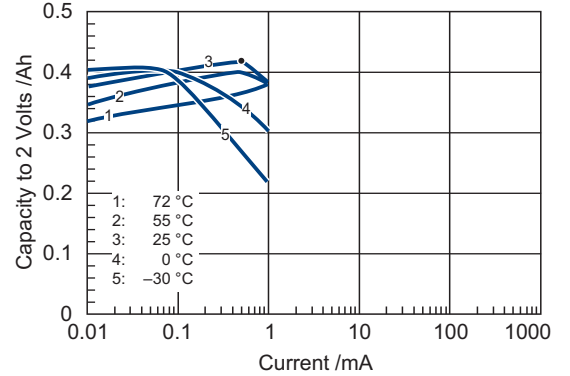
UL recognition under file MH 12827

See also our website under Products/Safety

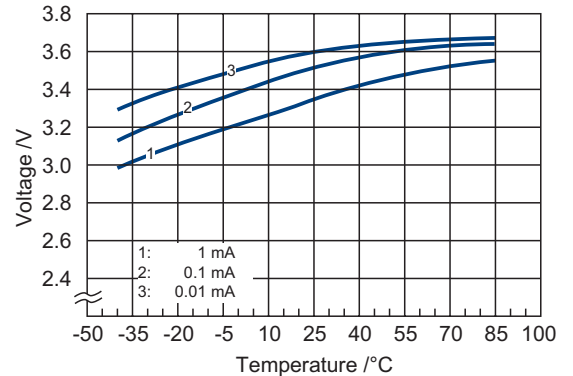
**Typical Discharge Curves at +25°C**



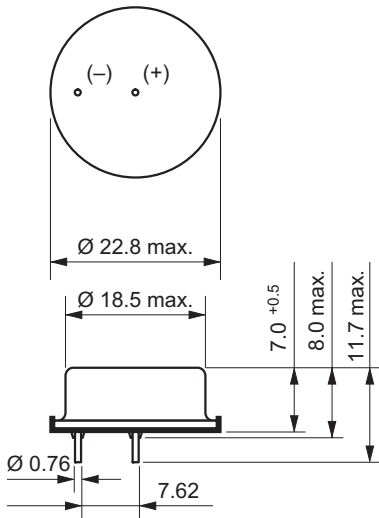
**Available Capacity**



**Operating Voltage**



**SL-840**



**Available Terminations**

SL-840 Pins

**Catalogue No.**

11 1 18404 00

Any values given here are for information purposes only. They also depend on actual conditions of use and are not warranties of future performance. Subject to change.

## **X-ON Electronics**

Largest Supplier of Electrical and Electronic Components

*Click to view similar products for [tadiran](#) manufacturer:*

Other Similar products are found below :

[TL-5242](#) [TL-5104/SBP](#) [TL5902/T](#) [TL-5903/P](#) [TL-5930/F](#)