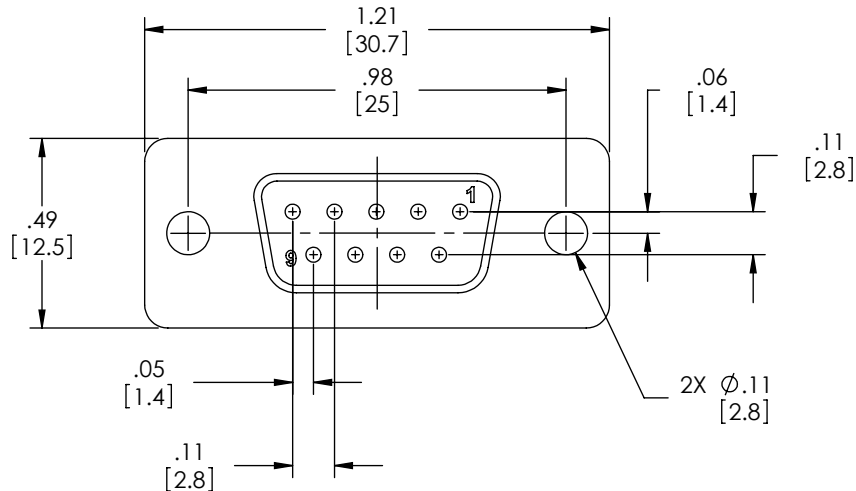
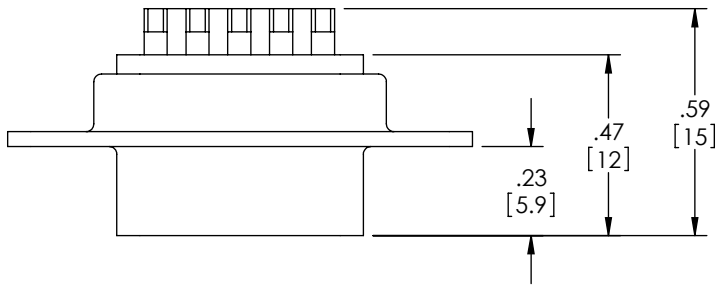


THE INFORMATION CONTAINED IN THIS DRAWING IS THE SOLE PROPERTY OF L-COM, INC. ANY REPRODUCTION IN PART OR WHOLE WITHOUT THE WRITTEN PERMISSION OF L-COM, INC. IS PROHIBITED.

REVISIONS			
REV	DESCRIPTION	DATE	APPROVED
E	ECN 4944: ADDED FRONT & BACK SHELL FINISH, ADDED PKG NOTE, DEL CURRENT RATING	8/3/10	D. CASTRO
-	-	-	-
-	-	-	-
-	-	-	-



NOTES:

MATERIAL:
 CONNECTOR SHELL: STEEL
 CONNECTOR INSULATOR: THERMOPLASTIC, UL94V-0 RATED
 CONTACTS: COPPER ALLOY

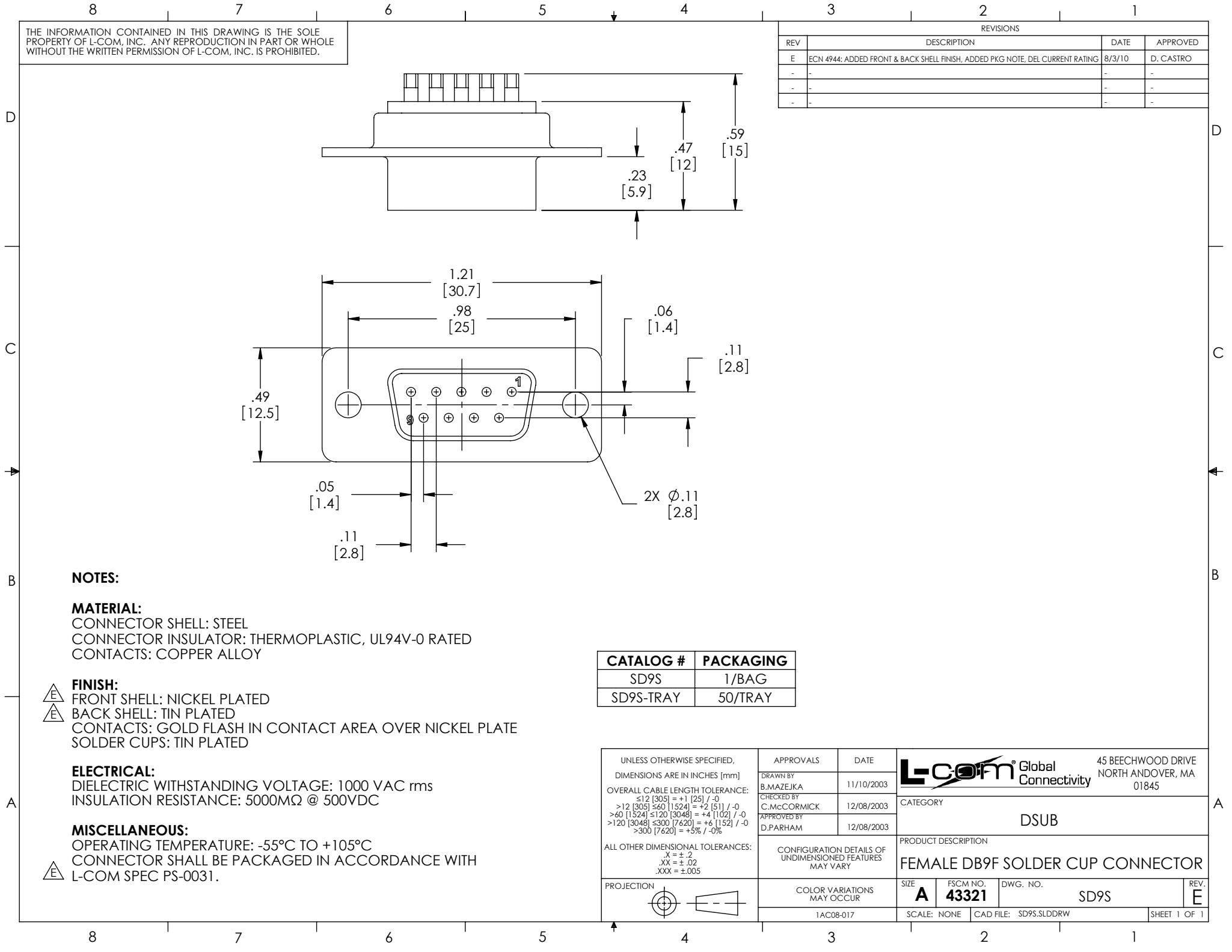
FINISH:
 FRONT SHELL: NICKEL PLATED
 BACK SHELL: TIN PLATED
 CONTACTS: GOLD FLASH IN CONTACT AREA OVER NICKEL PLATE
 SOLDER CUPS: TIN PLATED

ELECTRICAL:
 DIELECTRIC WITHSTANDING VOLTAGE: 1000 VAC rms
 INSULATION RESISTANCE: 5000MΩ @ 500VDC

MISCELLANEOUS:
 OPERATING TEMPERATURE: -55°C TO +105°C
 CONNECTOR SHALL BE PACKAGED IN ACCORDANCE WITH L-COM SPEC PS-0031.

CATALOG #	PACKAGING
SD9S	1/BAG
SD9S-TRAY	50/TRAY

UNLESS OTHERWISE SPECIFIED, DIMENSIONS ARE IN INCHES [mm] OVERALL CABLE LENGTH TOLERANCE: ≤12 [305] = +1 [25] / -0 >12 [305] ≤60 [1524] = +2 [51] / -0 >60 [1524] ≤120 [3048] = +4 [102] / -0 >120 [3048] ≤300 [7620] = +6 [152] / -0 >300 [7620] = +3% / -0%	APPROVALS	DATE	45 BEECHWOOD DRIVE NORTH ANDOVER, MA 01845
	DRAWN BY B.MAZEJKA CHECKED BY C.McCORMICK APPROVED BY D.PARHAM	11/10/2003 12/08/2003 12/08/2003	
ALL OTHER DIMENSIONAL TOLERANCES: .X = ±.2 .XX = ±.02 .XXX = ±.005	CONFIGURATION DETAILS OF UNDIMENSIONED FEATURES MAY VARY	PRODUCT DESCRIPTION FEMALE DB9F SOLDER CUP CONNECTOR	SIZE A
PROJECTION 	COLOR VARIATIONS MAY OCCUR	FSCM NO. 43321	DWG. NO. SD9S
1AC08-017	SCALE: NONE	CAD FILE: SD9S.SLDDRW	REV. E



X-ON Electronics

Largest Supplier of Electrical and Electronic Components

Click to view similar products for [l-com](#) manufacturer:

Other Similar products are found below :

[FOA-550A](#) [UMC-201](#) [CSMN50MF-5](#) [CSMNB15MF-15](#) [TRD815RA2BL-5](#) [CA3A-90DA-1M](#) [CTLF3VGAMM-20](#) [HDCAMM-3](#)
[U3A00007-05M](#) [U3A00014-03M](#) [CSMT15MF-10](#) [CSMT15MM-15](#) [CSMT15MM-25](#) [CSPL15MF-50](#) [CSPL25MF-25](#) [CSPL9MF-10](#)
[CSPL9MF-5](#) [CSPL25MF-5](#) [CSPL25MF-2.5](#) [AL-IPEPS](#) [NB201611-10F-1](#) [TDG1026KC5-MNL](#) [NB121005-10F](#) [TRD855SRA6DBL-10M](#)
[TRD855SRA7DBL-1M](#) [TRD855SRA7DBL-10M](#) [U2A00017-05M](#) [PR175SCDLCQ24](#) [TRG508-T4T-3M](#) [TRA5261-15F](#) [TRA5261S-1F](#)
[TRA6261-1F](#) [USBBFT](#) [DGB25M](#) [HG2403RD-RSF](#) [CASATAL-18](#) [CSM25MM-10](#) [CSM37MF-10](#) [CSUSB-100](#) [CA3A-90RA-1M](#) [CA3A-](#)
[90MICB-1M](#) [U2A00003-3M](#) [U3A00003-05M](#) [U2A00008-12I](#) [U3A00007-075M](#) [U3A00007-1M](#) [HGV-903U](#) [CSMT15MF-5](#)
[CSMT15MM-50](#) [CSPL15MF-25](#)