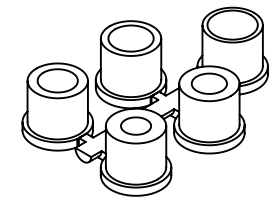
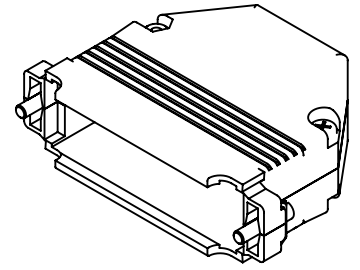
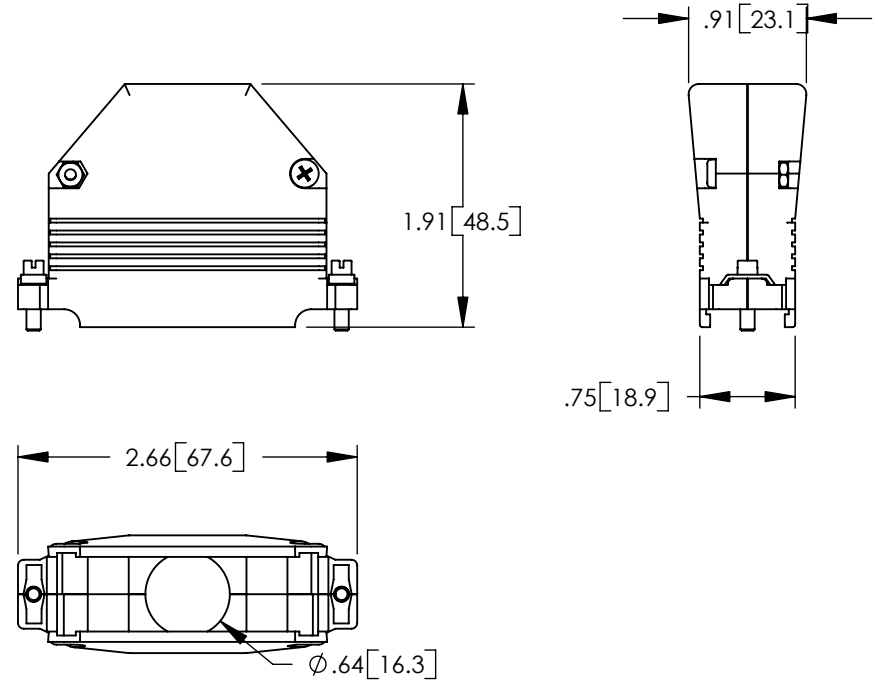
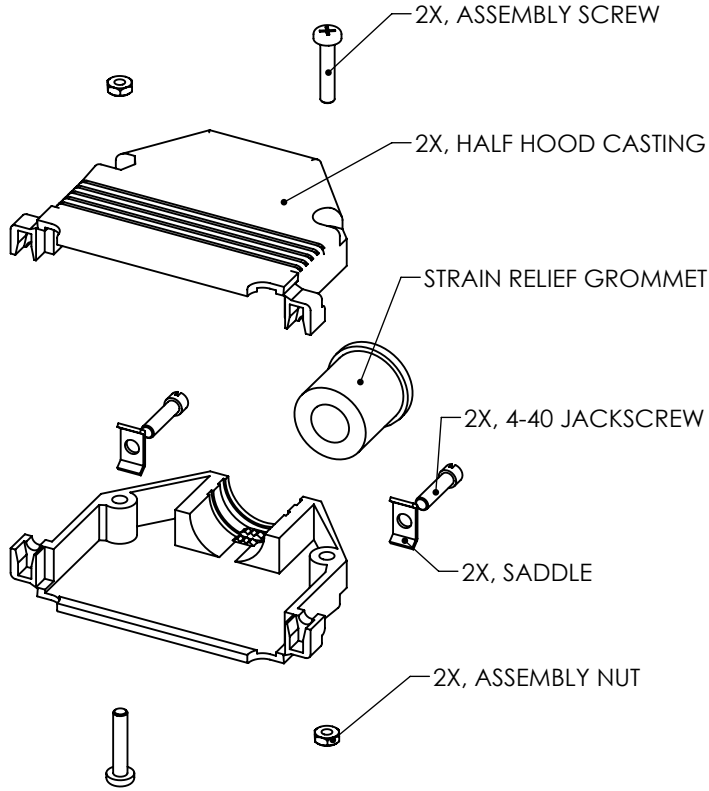


THE INFORMATION CONTAINED IN THIS DRAWING IS THE SOLE PROPERTY OF L-COM, INC. ANY REPRODUCTION IN PART OR WHOLE WITHOUT THE WRITTEN PERMISSION OF L-COM, INC. IS PROHIBITED.

REVISIONS			
REV	DESCRIPTION	DATE	CHANGED BY
A	INITIAL RELEASE	12/10/04	T.CLARK
B	ECN 3174: REVISED FINISH TO NICKEL PLATE	2/4/08	D.FRISIELLO



NOTES:

MATERIAL:
 HOOD: DIE-CAST ZINC ALLOY
 JACKSCREWS: STEEL
 ASSEMBLY HARDWARE: STEEL
 STRAIN RELIEF GROMMETS: PVC, BLACK

FINISH:
 HOOD: NICKEL PLATED, MATTE FINISH ON MAJOR SURFACES
 JACKSCREWS: NICKEL PLATED
 ASSEMBLY HARDWARE: NICKEL PLATED

MISCELLANEOUS:
 INTENDED FOR USE WITH 50 PIN STANDARD AND 78 PIN HIGH DENSITY D-SUBMINIATURE CONNECTORS.
 SUPPLIED WITH 5 STRAIN RELIEF GROMMETS FOR CABLES HAVING DIAMETERS RANGING FROM .310 TO .530 INCH.

UNLESS OTHERWISE SPECIFIED, DIMENSIONS ARE IN INCHES [mm] TOLERANCES TO BE: .X ±.1 [2.5] ANGLES ±2° .XX ±.01 [.25] .XXX ±.005 [.13] OVERALL CABLE LENGTH TOL: ≤ 60 [1524] +3 [76.2] / -0 > 60 [1524] +5% / -0%	APPROVALS	DATE
	DRAWN BY T.CLARK	12/10/2004
	CHECKED BY D.PARHAM	12/10/2004
	APPROVED BY C.MCCORMICK	12/10/2004
	CONFIGURATION DETAILS OF UNDIMENSIONED FEATURES MAY VARY	

L-com CONNECTIVITY PRODUCTS		45 BEECHWOOD DRIVE NORTH ANDOVER, MA 01845	
CATEGORY		DATA CABLING	
PRODUCT DESCRIPTION		DB50 & HD 78 HOOD KIT	
SIZE	FSCM NO.	DWG. NO.	REV.
A	43321	SDC50AG	B
SCALE: NONE		CAD FILE: SDC50AG.SLDDRW	
SHEET 1 OF 1			

X-ON Electronics

Largest Supplier of Electrical and Electronic Components

Click to view similar products for [l-com](#) manufacturer:

Other Similar products are found below :

[FOA-550A](#) [UMC-201](#) [CSMN50MF-5](#) [CSMNB15MF-15](#) [TRD815RA2BL-5](#) [CA3A-90DA-1M](#) [CTLF3VGAMM-20](#) [HDCAMM-3](#)
[U3A00007-05M](#) [U3A00014-03M](#) [CSMT15MF-10](#) [CSMT15MM-15](#) [CSMT15MM-25](#) [CSPL15MF-50](#) [CSPL25MF-25](#) [CSPL9MF-10](#)
[CSPL9MF-5](#) [CSPL25MF-5](#) [CSPL25MF-2.5](#) [AL-IPEPS](#) [NB201611-10F-1](#) [TDG1026KC5-MNL](#) [NB121005-10F](#) [TRD855SRA6DBL-10M](#)
[TRD855SRA7DBL-1M](#) [TRD855SRA7DBL-10M](#) [U2A00017-05M](#) [PR175SCDLCQ24](#) [TRG508-T4T-3M](#) [TRA5261-15F](#) [TRA5261S-1F](#)
[TRA6261-1F](#) [USBBFT](#) [DGB25M](#) [HG2403RD-RSF](#) [CASATAL-18](#) [CSM25MM-10](#) [CSM37MF-10](#) [CSUSB-100](#) [CA3A-90RA-1M](#) [CA3A-](#)
[90MICB-1M](#) [U2A00003-3M](#) [U3A00003-05M](#) [U2A00008-12I](#) [U3A00007-075M](#) [U3A00007-1M](#) [HGV-903U](#) [CSMT15MF-5](#)
[CSMT15MM-50](#) [CSPL15MF-25](#)