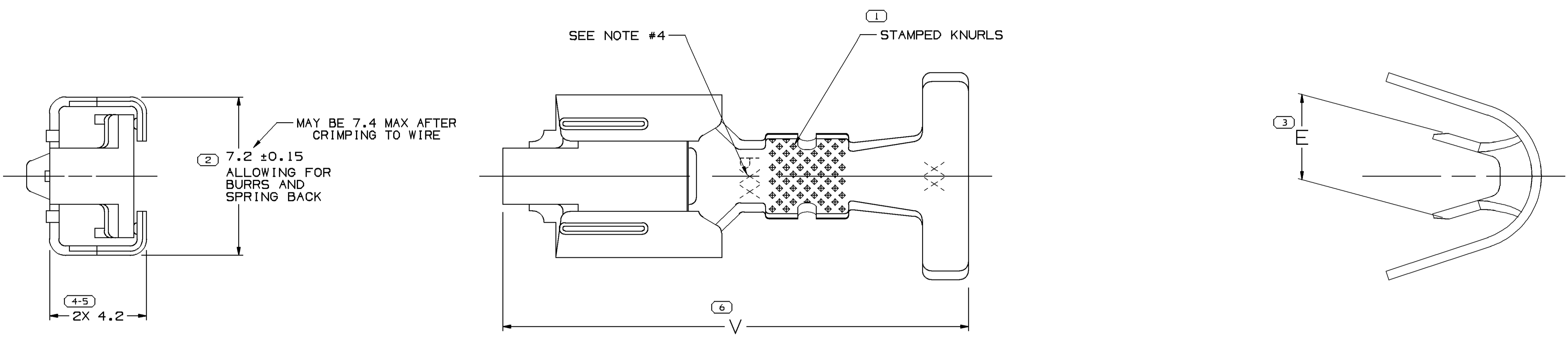
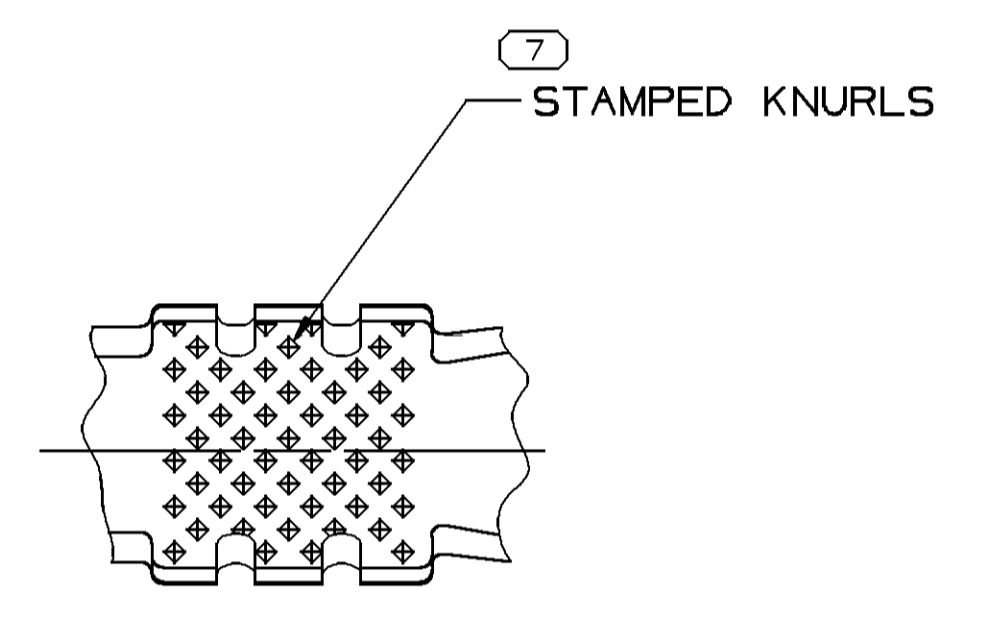
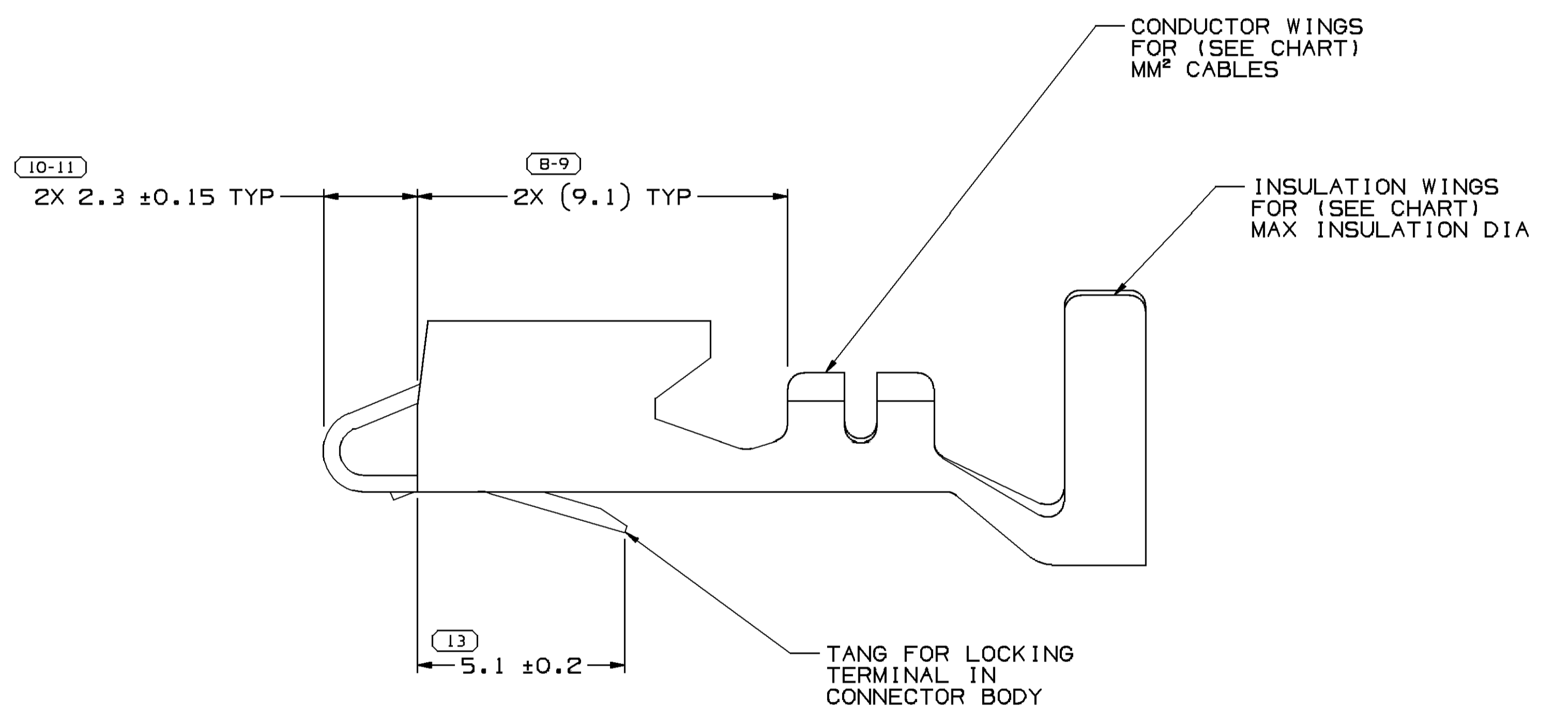


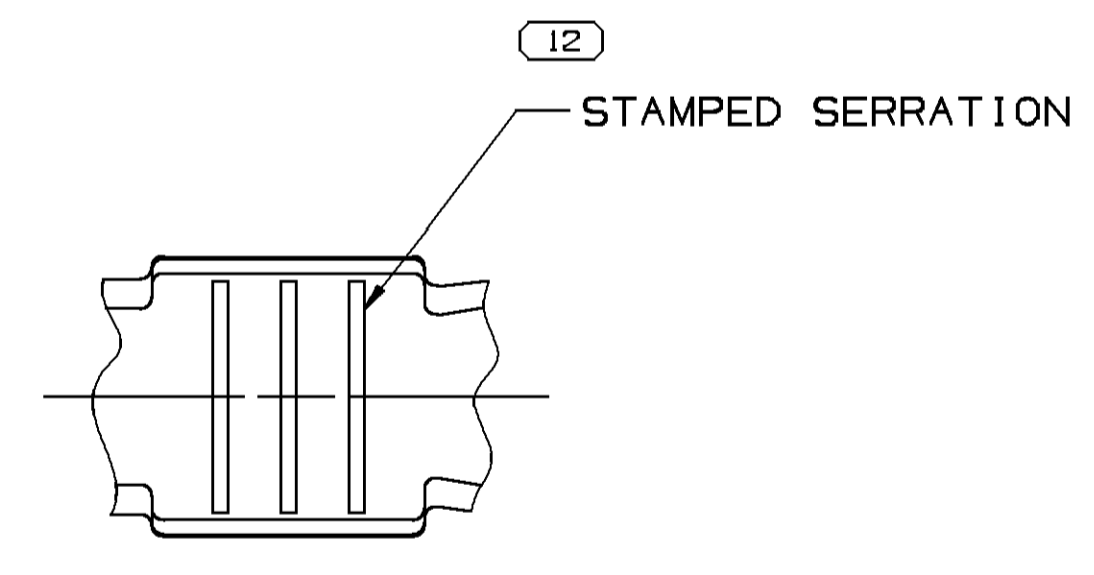
SYMBOL DEFINITION		MISSING NUMBERS		DWS STATUS		ZONE		REVISION HISTORY		AUTH		DR		APVD					
DATE	STG	REV	IN/P	CHG	DATE	STG	REV	IN/P	CHG	DATE	STG	REV	IN/P	CHG	DATE	STG	REV	IN/P	CHG
27AU99	R	001	-	-	14-16,					990009	RGT	CMP	JH						
27AU99	R	002	-	-						198182	RGT	CMP	JH						
09JA03	R	03	-	-						230755	ECB	JAA	AGL						
29ND04	R	04	-	-						261521	END	END	B6						
21FE05	R	05	-	-						264738	END	END	B6						
06JN05	R	06	-	-						268139	MM	MJM	B6						
270C06	R	07	-	-						286199	MM	MM	B6						
19JUL11	R	08	-	-						414803	HRS	HRS	GEM						
15AU12	R	09	-	-						418815	JFF	JFF	JFF						
18FE15	R	10	-	-						428877	ABH	JVM	JSM						



TYPE 101

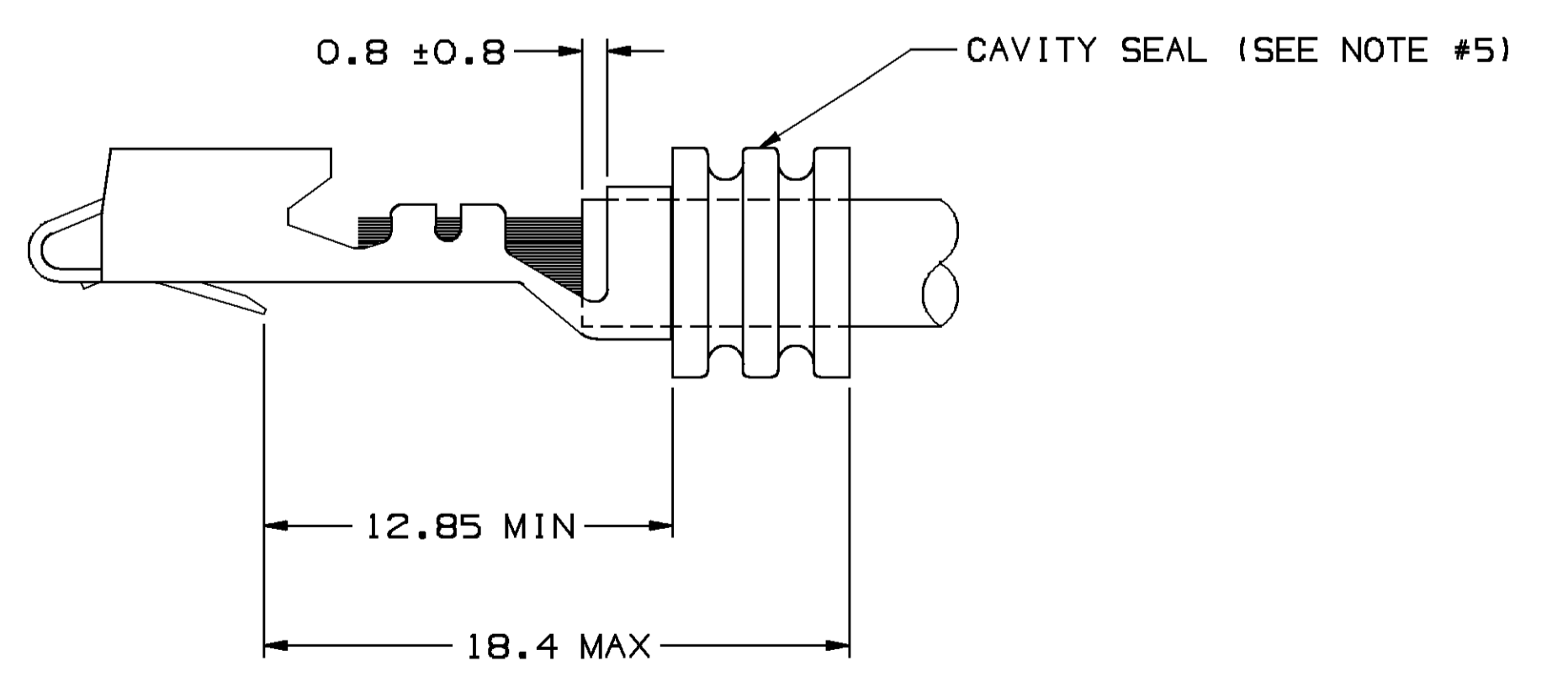


TYPE 102
SAME AS TYPE 101
EXCEPT AS SHOWN

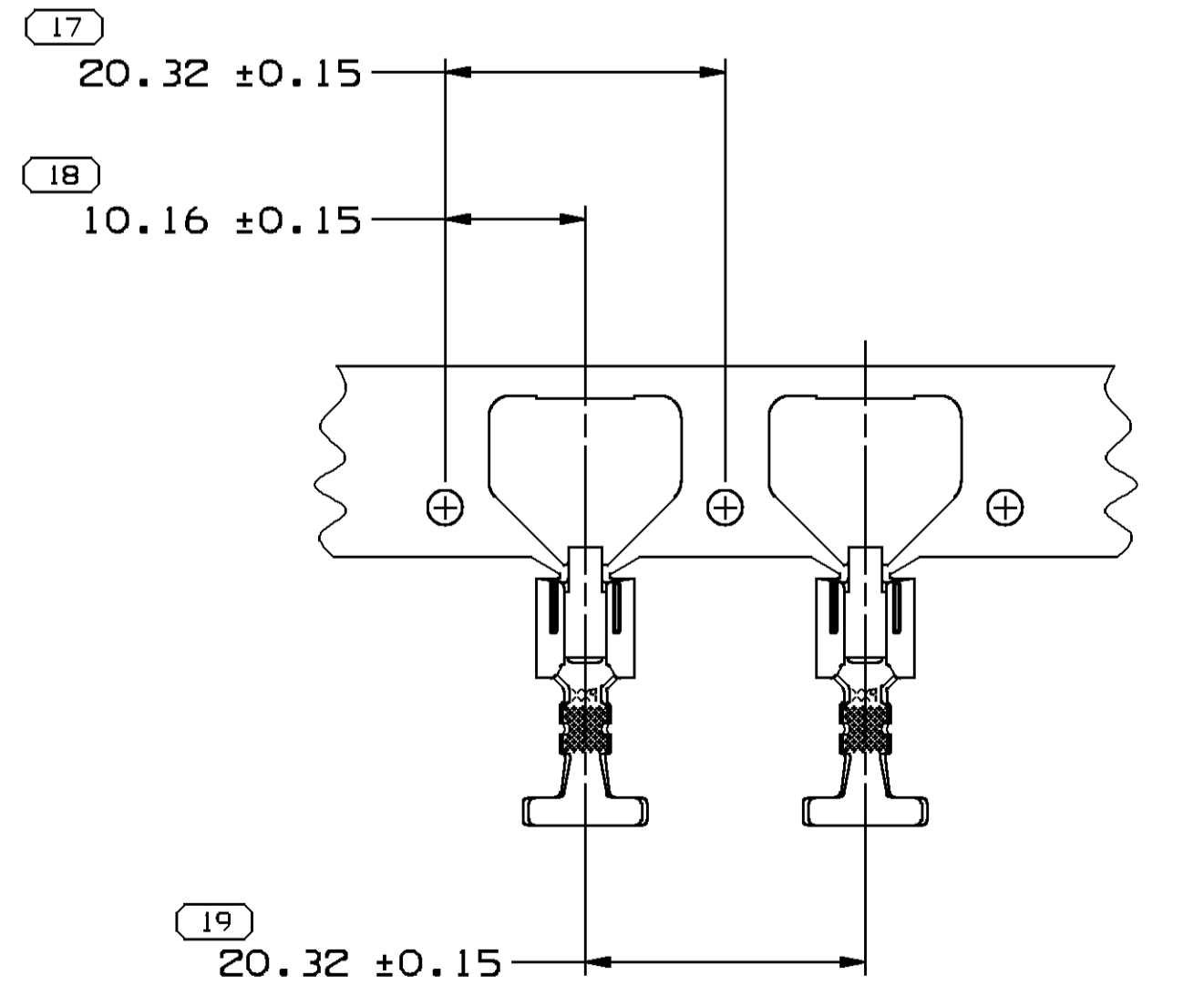


TYPE 103
SAME AS TYPE 101
EXCEPT AS SHOWN

TYPE 104
SAME AS TYPE 103
EXCEPT AS SHOWN



SCALE 5:1



CARRIER STRIP VIEW
SCALE 2:1

- NOTES
- UNLESS OTHERWISE SPECIFIED AND/OR INDICATED: DIMENSIONS ARE TO FACE OF VIEW SHOWN AND AUTOMATICALLY ROUNDED BY COMPUTER FOR INSPECTION (SEE MATH MODEL FOR PRECISE DIMENSIONS). FOR ALL OTHER DIMENSIONS NOT SHOWN BUT REQUIRED FOR TOOL BUILD, SEE MATH MODEL FOR PRECISE TOOL PATH DATA.
 - RECOMMENDED MATING BLADE 0.8 +0.04/-0.03 THK X 6.3 ± 0.1 WIDE.
 - THIS PART ACCEPTS THE FOLLOWING COMPONENTS OR EQUIVALENT: TERMINAL 12020127
 - "PXX" INDICATES "P" PLUS LAST TWO DIGITS OF MAKE DIE SERIES NUMBER (P01, P02, P03, ETC).
 - TERMINAL TO CRIMP AND RETAIN CAVITY SEAL 120523B6 OR EQUIVALENT.
 - DO NOT PROBE, TEST OR OTHERWISE CONTACT THE INTERIOR REGION (THE SPRING OR ANY MOVING PART) OF THIS TERMINAL. SEVERE DAMAGE CAN OCCUR, COMPROMISING THE PERFORMANCE OF THE ELECTRICAL INTERFACE.
 - FOR TERMINALS PACKAGED & STORED IN THE APPROVED MANNER, TARNISH ON SILVER PLATED SURFACES WILL NOT AFFECT THE PERFORMANCE OF THE PART.

PART NO	REV	IN/P	MAT'L SIZE	MAT'L SPEC	PART NO	REV	IN/P	MAT'L SIZE	MAT'L SPEC	SIZE (MM²)	ID	DIA	TYPE	E	V
15317332	03	AD	0.406 X 33.32	AG PLATED COPPER NICKEL ALLOY	6-4	10	5.24	104	5.7	19.48					
15317331	03	AC	0.406 X 33.32	COPPER ALLOY	6-4	10	5.24	103	5.7	19.48					
15305232	02	AD	0.406 X 33.32	AG PLATED COPPER NICKEL ALLOY	5-3	11	5.24	101	4.6	19.48					
12066562	F	-	0.406 X 33.32	COPPER ALLOY	3	12	4.9	101	4.6	19.79					
12066561	F	-	0.406 X 33.32	COPPER ALLOY	08	AC	0.406 X 33.32	102	3.2	19.79	0.8-0.5	19	2.68		
12066560	G	-	0.406 X 33.32	COPPER ALLOY	09	AC	0.406 X 33.32	101	4.6	19.48					
12066559	E	-	0.406 X 33.32	COPPER ALLOY	07	AC	0.406 X 33.32	101	3.7	19.79					
12052455	07	AC	0.406 X 33.32	COPPER ALLOY	2-1	15	3.59	101	3.7	19.79					
UNPLATED															

DIMENSIONAL RANGE (MM)		CHART ID
FROM	TO	
0	> 12	
10	15	
15	20	
20	25	
25	30	
30	35	
35	40	
40	45	
45	50	
50	55	
55	60	
60	65	
65	70	
70	75	
75	80	
80	85	
85	90	
90	95	
95	100	
100	105	
105	110	
110	115	
115	120	
120	125	
125	130	
130	135	
135	140	
140	145	
145	150	
150	155	
155	160	
160	165	
165	170	
170	175	
175	180	
180	185	
185	190	
190	195	
195	200	
200	205	
205	210	
210	215	
215	220	
220	225	
225	230	
230	235	
235	240	
240	245	
245	250	
250	255	
255	260	
260	265	
265	270	
270	275	
275	280	
280	285	
285	290	
290	295	
295	300	
300	305	
305	310	
310	315	
315	320	
320	325	
325	330	
330	335	
335	340	
340	345	
345	350	
350	355	
355	360	
360	365	
365	370	
370	375	
375	380	
380	385	
385	390	
390	395	
395	400	
400	405	
405	410	
410	415	
415	420	
420	425	
425	430	
430	435	
435	440	
440	445	
445	450	
450	455	
455	460	
460	465	
465	470	
470	475	
475	480	
480	485	
485	490	
490	495	
495	500	
500	505	
505	510	
510	515	
515	520	
520	525	
525	530	
530	535	
535	540	
540	545	
545	550	
550	555	
555	560	
560	565	
565	570	
570	575	
575	580	
580	585	
585	590	
590	595	
595	600	
600	605	
605	610	
610	615	
615	620	
620	625	
625	630	
630	635	
635	640	
640	645	
645	650	
650	655	
655	660	
660	665	
665	670	
670	675	
675	680	
680	685	
685	690	
690	695	
695	700	
700	705	
705	710	
710	715	
715	720	
720	725	
725	730	
730	735	
735	740	
740	745	
745	750	
750	755	
755	760	
760	765	
765	770	
770	775	
775	780	
780	785	
785	790	
790	795	
795	800	
800	805	
805	810	
810	815	
815	820	
820	825	
825	830	
830	835	
835	840	
840	845	
845	850	
850	855	
855	860	
860	865	
865	870	
870	875	
875	880	
880	885	
885	890	
890	895	
895	900	
900	905	
905	910	
910	915	
915	920	
920	925	
925	930	
930	935	
935	940	
940	945	
945	950	
950	955	
955	960	
960	965	
965	970	
970	975	
975	980	
980	985	
985	990	
990	995	

DELPHI
DELPHI PACKARD ELECTRICAL/ELECTRONIC ARCHITECTURE

WARREN, OH
COPYRIGHT 1988 DELPHI CORPORATION AND/OR ITS AFFILIATES.
ALL RIGHTS RESERVED.
THIS DRAWING IS THE PROPERTY OF DELPHI CORPORATION AND CONTAINS DELPHI CONFIDENTIAL INFORMATION. THE REPRODUCTION, DISTRIBUTION AND UTILIZATION OF THIS DOCUMENT OR ITS CONTENTS OR DATA, AS WELL AS COMMUNICATION OF ANY CONTENT TO OTHERS, WITHOUT EXPRESS AUTHORIZATION, IS PROHIBITED.

DATE: 22 JUL 88
DRAWING NUMBER: 12088013

SCALE: 10:1
SHEET NO: 1 OF 1
REV: R 10