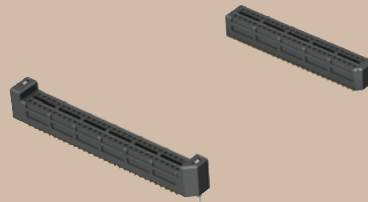




SEMS-125-02-03.0-H-D

SEML-145-02-03.0-H-D-WT



SEM-130-02-03.0-H-D-WT



SEM-110-02-03.0-H-D-WT

SEM, SEMS, SEML SERIES

(0,80 mm) .0315"

MICRO TIGER EYE™ SOCKET

SPECIFICATIONS

For complete specifications and recommended PCB layouts see www.samtec.com?SEM, www.samtec.com?SEMS or www.samtec.com?SEML

Insulator Material: Black Liquid Crystal Polymer
Contact Material: BeCu

Plating: Au or Sn over 50µ" (1,27 µm) Ni
Operating Temp Range: -55°C to +125°C

Current Rating (SEM/TEM): 2,6 A per pin
(1 pin powered per row)
RoHS Compliant: Yes

Processing:
Lead-Free Solderable: Yes
SMT Lead Coplanarity: (0,10 mm) .004" max

SEM, SEML Mates with: TEM

SEMS Mates with: TEMS

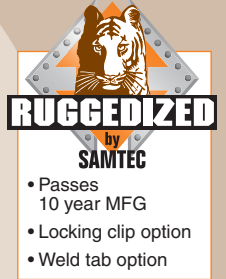


TEM/SEM 6 mm Stack Height	Rated @ 3dB Insertion Loss*
Single-Ended Signaling	12 GHz / 24 Gbps
Differential Pair Signaling	17 GHz / 34 Gbps

*Test board losses de-embedded from performance data.
Complete test data available at www.samtec.com?SEM or contact sig@samtec.com

High reliability Tiger Eye™ contacts

Choice of mated heights



- Passes 10 year MFG
- Locking clip option
- Weld tab option

ALSO AVAILABLE (MOQ Required)

- Other sizes
 - Other platings
- Contact Samtec.

28+ Gbps

Weld tab

RECOGNITIONS

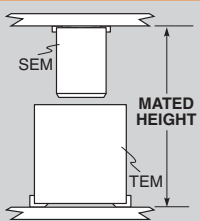
For complete scope of recognitions see www.samtec.com/quality



OTHER SOLUTIONS

- (1,27 mm) .050" board-to-board and cable-to-board Tiger Eye™ systems available.
 - Board Stacking: See SFM, TFM Series
 - Cable Assemblies: See SFSD, TFSD Series
- Contact Samtec.

MATED HEIGHT



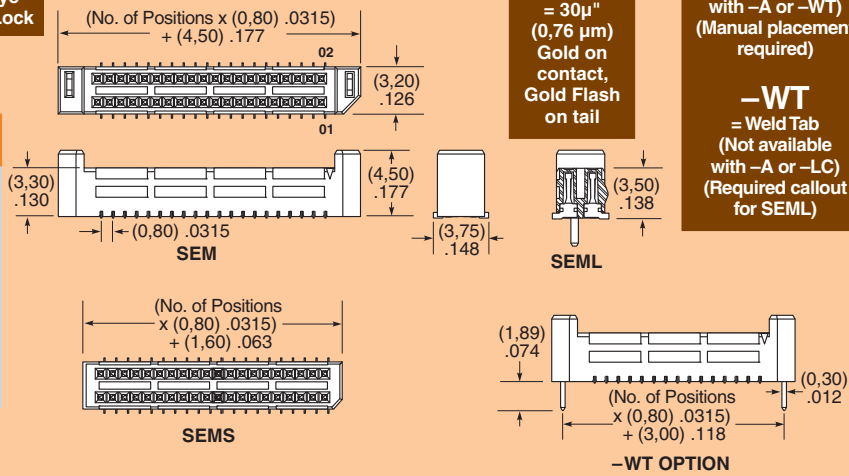
TEM LEAD STYLE	MATED HEIGHT*
-03.0	6 mm
-04.0	7 mm
-07.0	10 mm

*Processing conditions will affect mated height.

Note: Some sizes, styles and options are non-standard, non-returnable.

TYPE STRIP - 1 NO. PINS PER ROW - 02 STACK HEIGHT - PLATING OPTION - D OPTION - OTHER OPTION

SEM = Tiger Eye™ Strip	05, 10, 15, 20, 25 30, 35, 40, 45, 50 (SEM/SEML only) (Standard sizes)	-03.0 = 6 mm, 7 mm or 10 mm Stack Height when mated with TEM/TEMS Series (SEML only available with 6 mm Stack Height)	-FG = Gold Flash	Leave blank for SEMS	-K = (3,50 mm) .138" DIA Polyimide film Pick & Place Pad (Required for SEMS)
SEMS = Tiger Eye™ Slim Strip			-G = 10µ" (0,25 µm) Gold on contact, Gold Flash on tail	-A = Alignment Pin (Not available with -LC or -WT)	
SEML = Tiger Eye™ Friction Lock			-H = 30µ" (0,76 µm) Gold on contact, Gold Flash on tail	-LC = Locking Clip (Not available with -A or -WT) (Manual placement required)	-TR = Tape & Reel (Required for SEMS)
				-WT = Weld Tab (Not available with -A or -LC) (Required callout for SEML)	



Due to technical progress, all designs, specifications and components are subject to change without notice.

WWW.SAMTEC.COM

X-ON Electronics

Largest Supplier of Electrical and Electronic Components

Click to view similar products for [FFC & FPC Connectors](#) category:

Click to view products by [Samtec](#) manufacturer:

Other Similar products are found below :

[HFW11R-1STE1H1LF](#) [FH29B-100S-0.2SHW\(99\)](#) [FA5S008HP1](#) [FH29B-120S-0.2SHW\(99\)](#) [FH29B-80S-0.2SHW\(99\)](#) [FHS-16](#) [FPH-2022G](#)
[52610-1075](#) [52610-1275](#) [52610-1934](#) [XF3M\(1\)-1415-1B-R100](#) [501864-3091-TR225](#) [0525594033](#) [086210010340800](#) [086222026001800](#)
[52271-2869-CUT-TAPE](#) [62674-201121DLF](#) [62684-36210E9ALF](#) [52610-1675](#) [52746-1671-TR250](#) [10051922-2810EHLF](#) [6-520415-9](#)
[BD021-09A-A1-0350-0200-0550-LD](#) [SFV6R-1STE9HLF](#) [XF3M-2915-1B-R100](#) [1658549-1](#) [62674-221121ALF](#) [46214008010800](#)
[046298003000883](#) [151660622](#) [842-816-2630-035](#) [AYF530665TA](#) [AYF351525](#) [046296011930846+](#) [AYF352325A](#) [046254020000800+](#)
[FH19C-13S-0.5SH\(99\)](#) [FH39J-51S-0.3SHW\(99\)](#) [AYF355125A](#) [AYF530365TA](#) [FH29B-44S-0.2SHW\(99\)](#) [SFW5R-2STAE9LF](#) [AYF351125A](#)
[AYF350725A](#) [62684-502100AHLF](#) [FH39-61S-0.3SHW\(99\)](#) [AYF414035A](#) [10064555-172520HLF](#) [AYF212335A](#) [504754-2500](#)