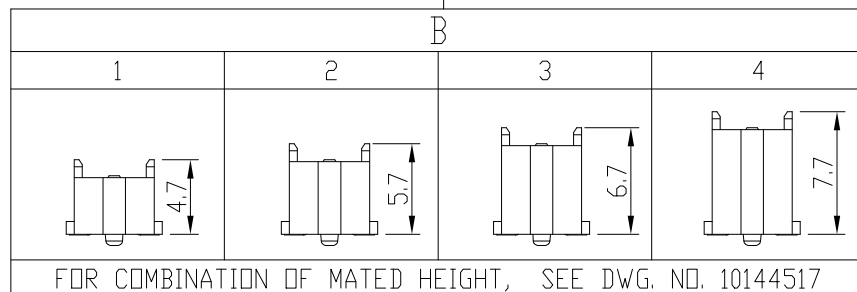


10144518- AA B C D E FF

AA	NO. OF POSITIONS
04	2X20
06	2X30
08	2X40
10	2X50

E	PACKAGING
2	T&R WITH METAL CAP
3	T&R WITHOUTL CAP

D	FEATURE	HOLD DOWN
0	YES	NO
2	NO	NO



C	PLATING	FF
8	GOLD FLASH ON CONTACT AREA ; PURE MATT TIN 2.5um MIN ON SOLDER TAIL; NICKEL UNDERPLATE OVERALL 1.27um. (LEADFREE PLATING)	LF

NOTE:

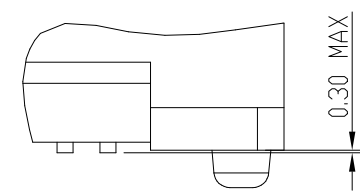
- MATERIAL:
HOUSING: G.F. LCP, NATURAL, UL94-V0
TERMINAL: COPPER ALLOY
- PLATING: AS SHOWN IN TABLE.
- SEE GS-12-1424 FOR PRODUCT SPEC.
- THIS PRODUCT MEETS THE EUROPEAN UNION DIRECTIVES AND OTHER COUNTRY REGULATIONS AS DESCRIBED IN GS-22-008.
- THE HOUSING WILL WITHSTAND EXPOSURE UP TO 260~ PEAK TEMPERATURE FOR 30 SECONDS IN A CONVECTION, INFRA-RED OR VAPOR PHASE REFLOW OVEN.

Amphenol FCI

© 2016 AFCI

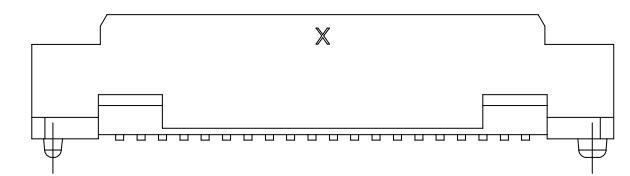
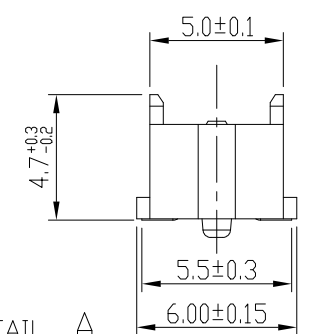
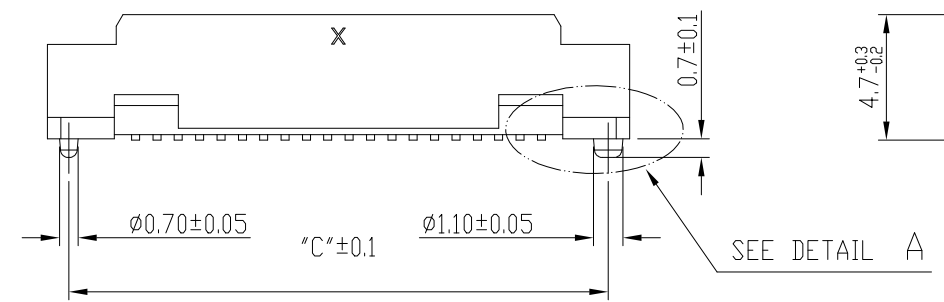
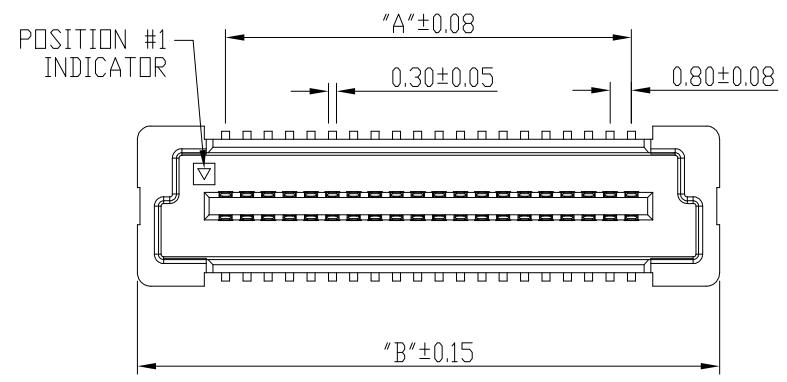
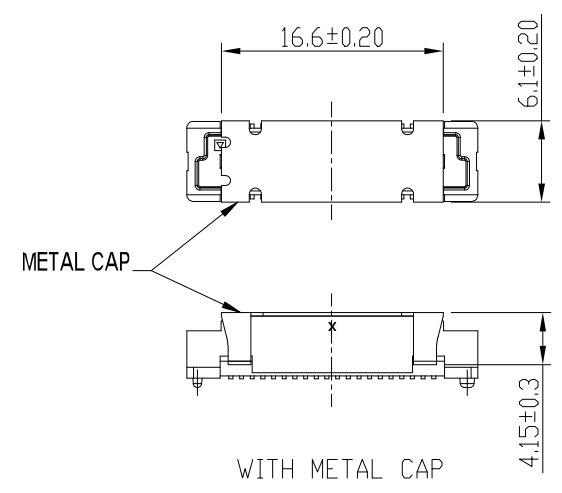
mat'l. code		surface ISO 1302 ✓		tolerance ISO 406 ISO 1101		projection 110°		product family BERGSTAK	
ltr		ecn no		dr		date		title	
A		Bob		07/05/16		07/05/17		PLUG ASSY	
B		ELX-N-28149		Bob		10/13/17		BERGSTAK 0.8MM	
				angles		linear		mm	
				0°±3°		.0±.2		scale 1:1	
						.00±.15		dwg no	
						.000±.10		sheet 1 of 6	
				dr		Bob Gu 07/05/17		size	
				engr		Bob Gu 07/05/17		A3	
				chr		LQ Lei 07/05/17		10144518	
				appd		Tim Yao 07/05/17		type Product Customer Drawing	
sheet index		revision sheet		A		B			
		1~6		1~6		1~6			

PRODUCT NO.	NO. OF POSITION	DIMENSION		
		A	B	C
10144518-041***	2X20	15.2	21.8	20.2
10144518-061***	2X30	23.2	29.8	28.2
10144518-081***	2X40	31.2	37.8	36.2
10144518-101***	2X50	39.2	45.8	44.2



COPLANARITY OF TAIL:
0.10 MAX. APPLIED TO 2X20 TO 2X50 PDS

DETAIL A
SCALE 10:1

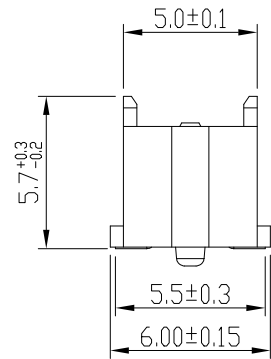
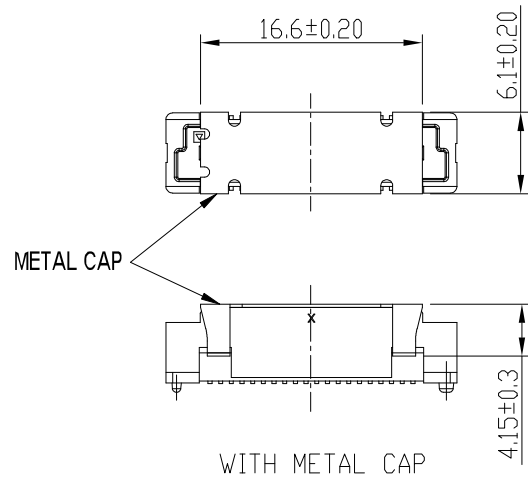
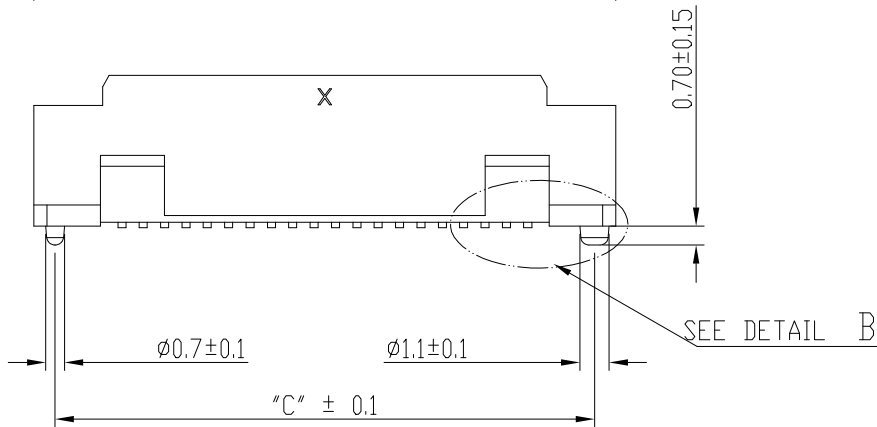
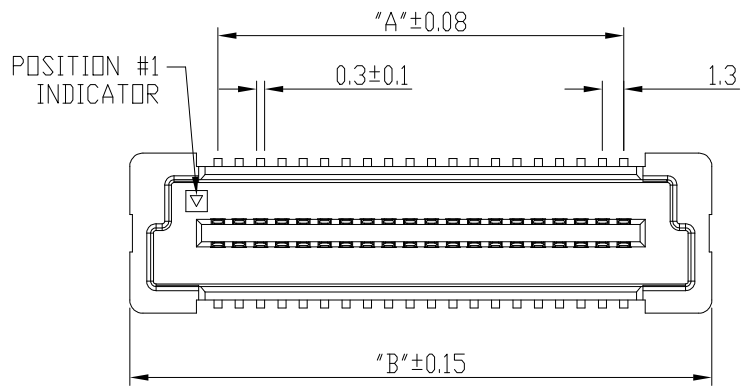
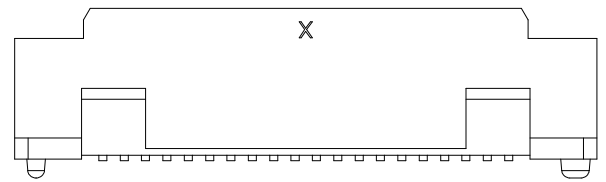


PLUG 1

mat'l. code		surface ISO 1302 ✓		tolerance ISO 406 ISO 1101		projection		product family	
ltr		ecn no		dr		date		BERGSTAK	
B								title	
								PLUG ASSY	
								BERGSTAK 0.8MM	
								dwg no	
								sheet 2 of 6	
								size	
								A3	
								type	
								Product Customer Drawing	
sheet index		revision sheet		A B		1~6 1~6			

Amphenol FCI
© 2016 AFCI

PRODUCT NO.	NO. OF POSITION	DIMENSION		
		A	B	C
10144518-042***	2X20	15.2	21.8	20.2
10144518-062***	2X30	23.2	29.8	28.2
10144518-082***	2X40	31.2	37.8	36.2
10144518-102***	2X50	39.2	45.8	44.2

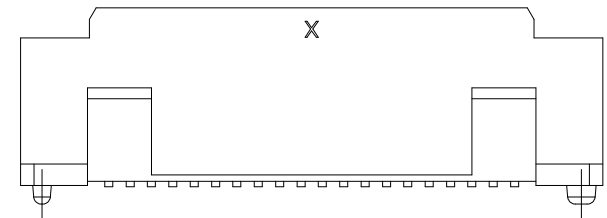
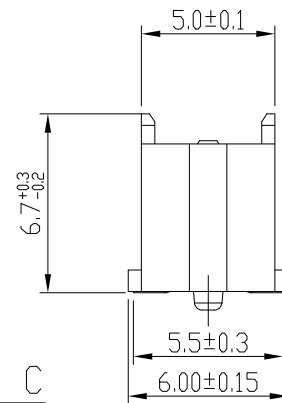
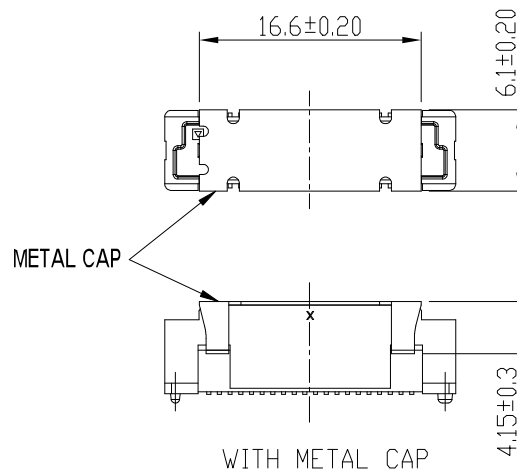
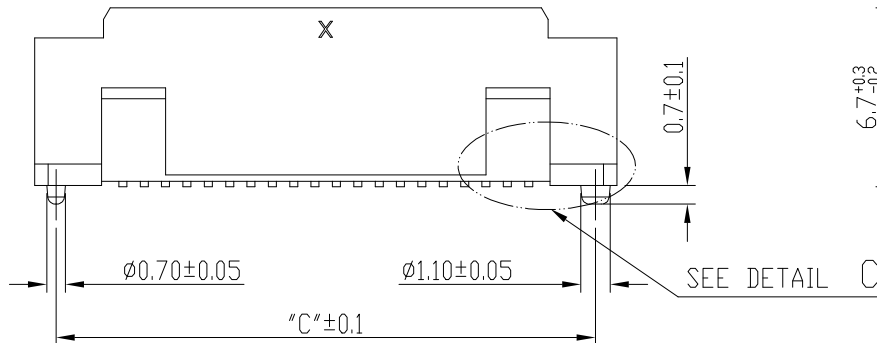
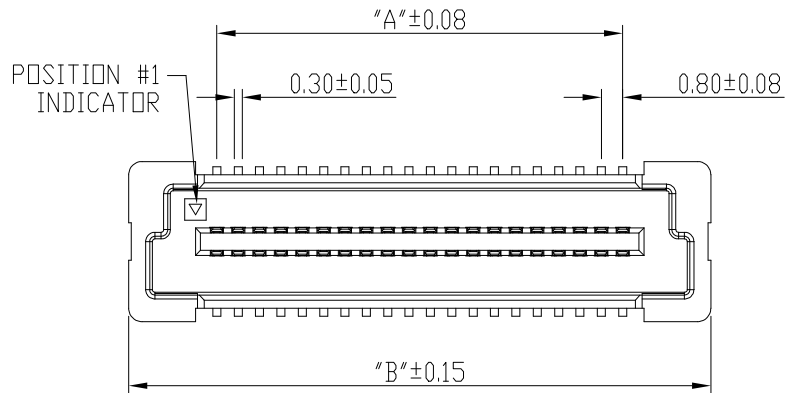
PLUG 2

mat'l. code		surface ISO 1302 ✓		tolerance ISO 406 ISO 1101		projection		product family	
ltr		ecn no		dr		date		BERGSTAK	
B								title	
								PLUG ASSY	
								BERGSTAK 0.8MM	
								dwg no	
								10144518	
								sheet 3 of 6	
								size	
								A3	
								type	
								Product Customer Drawing	
sheet index		revision sheet		A B		1~6 1~6			

Amphenol FCI

© 2016 AFCI

PRODUCT NO.	NO. OF POSITION	DIMENSION		
		A	B	C
10144518-043***	2X20	15.2	21.8	20.2
10144518-063***	2X30	23.2	29.8	28.2
10144518-083***	2X40	31.2	37.8	36.2
10144518-103***	2X50	39.2	45.8	44.2



COPLANARITY OF TAIL:
0.10 MAX. APPLIED TO 2X20 TO 2X50
PDS

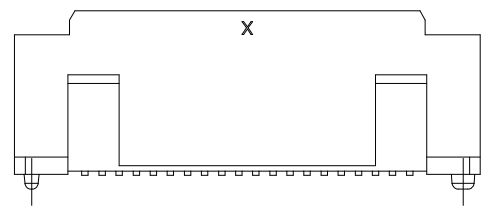
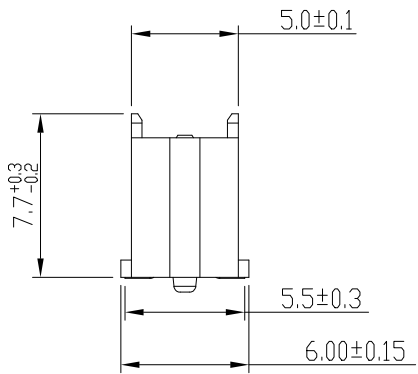
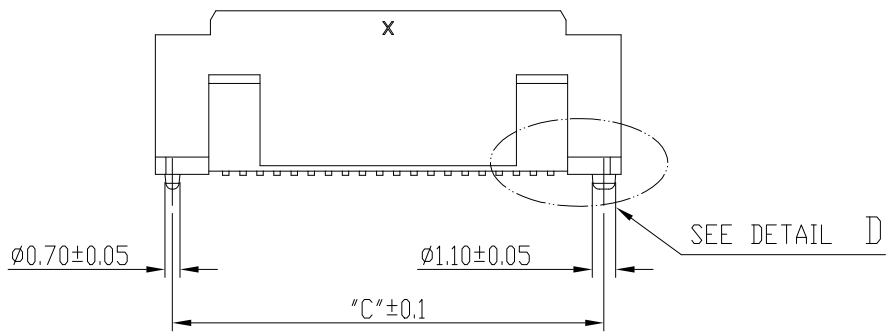
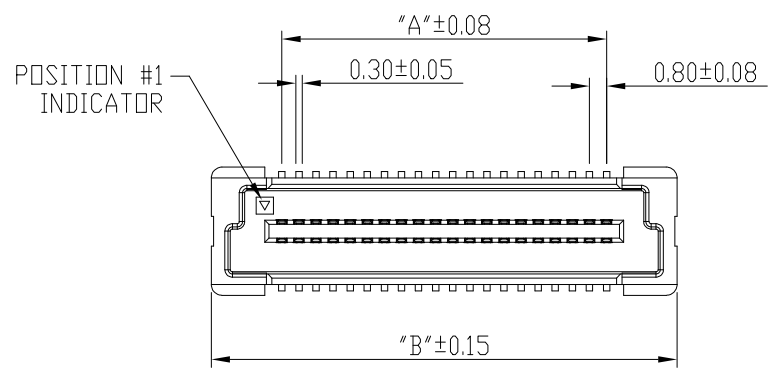
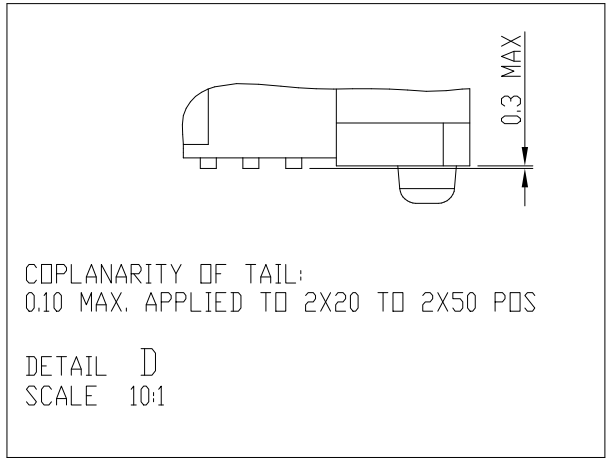
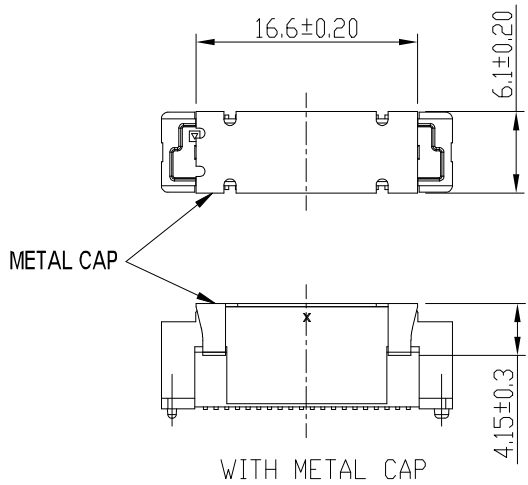
DETAIL C
SCALE 10:1

PLUG 3

mat'l. code		surface ISO 1302 ✓		tolerance ISO 406 ISO 1101		projection		product family	
ltr		ecn no		dr		date		BERGSTAK	
B								title	
								PLUG ASSY	
								BERGSTAK 0.8MM	
								dwg no	
								sheet 4 of 6	
								size	
								A3	
								type	
								Product Customer Drawing	
sheet index		revision sheet		A B		1~6 1~6			

Amphenol FCI
© 2016 AFCI

PRODUCT NO.	NO. OF POSITION	DIMENSION		
		A	B	C
10144518-044***	2X20	15.2	21.8	20.2
10144518-064***	2X30	23.2	29.8	28.2
10144518-084***	2X40	31.2	37.8	36.2
10144518-104***	2X50	39.2	45.8	44.2



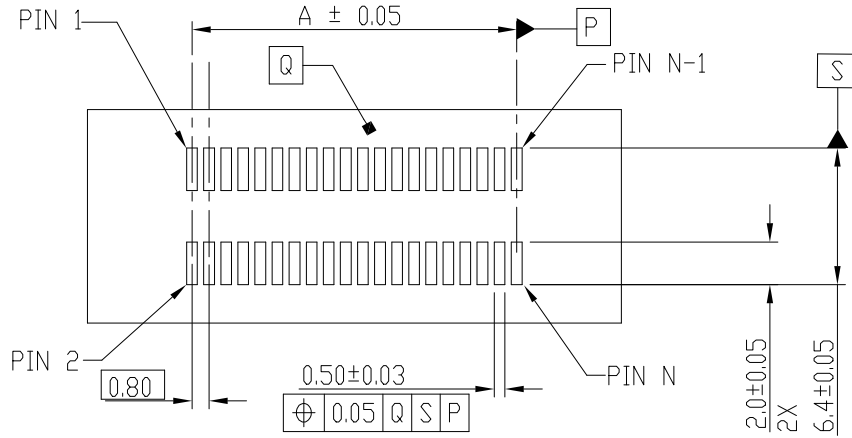
SEE DETAIL DD

PLUG 4

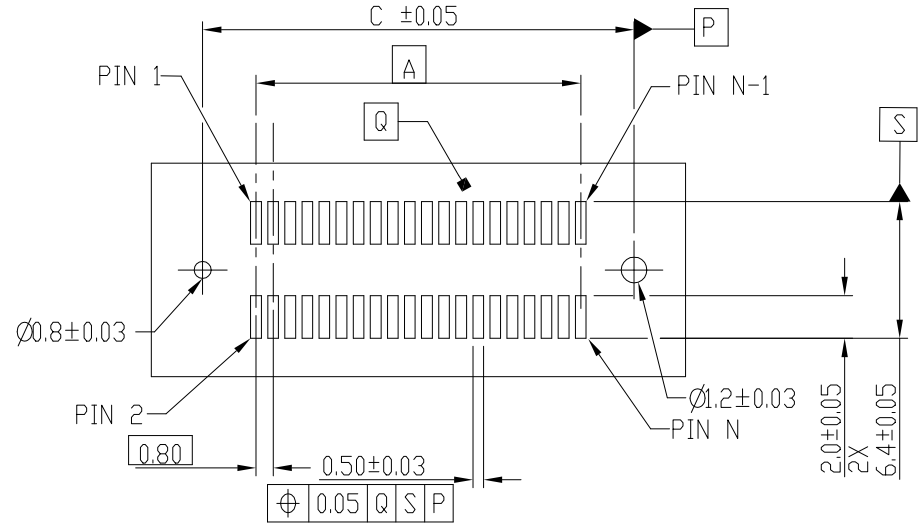
mat'l. code		surface ISO 1302 ✓		tolerance ISO 406 ISO 1101		projection		product family	
ltr		ecn no		dr		date		BERGSTAK	
B								title	
								PLUG ASSY	
								BERGSTAK 0.8MM	
								dwg no	
								sheet 5 of 6	
								size	
								A3	
								type	
								Product Customer Drawing	
sheet index		revision sheet		A B					
				1~6 1~6					

Amphenol FCI © 2016 AFCI

FOR PLUG 1/2/3/4



RECOMMENDED PCB LAYOUT WITHOUT PEG AND HOLDDOWN FOR NO. OF PDS 2X20, 2X30, 2X40, 2X50



RECOMMENDED PCB LAYOUT WITH PEG FOR NO. OF PDS 2X20, 2X30, 2X40, 2X50

Amphenol
FCI

© 2016 AFCI

mat'l. code		surface ISO 1302 ✓		tolerance ISO 406 ISO 1101		projection		product family	
ltr		ecn no		dr		date		BERGSTAK	
B								title	
				tolerances unless otherwise specified		mm		PLUG ASSY	
		angles		linear		linear		BERGSTAK 0.8MM	
		0°±3'		.0±.2		.00±.15		dwg no	
				.000±.10		scale 1:1		sheet 6 of 6	
		dr		Bob Gu		07/05/17		size	
		enr		Bob Gu		07/05/17		A3	
		chr		LQ Lei		07/05/17		10144518	
		appd		Tim Yao		07/05/17		type Product Customer Drawing	
sheet index		revision sheet		A 1~6		B 1~6			

X-ON Electronics

Largest Supplier of Electrical and Electronic Components

Click to view similar products for [Board to Board & Mezzanine Connectors](#) category:

Click to view products by [Amphenol](#) manufacturer:

Other Similar products are found below :

[10135583-642402LF](#) [89885-310LF](#) [589158040000018](#) [6-1393048-0](#) [68683-613](#) [MDF7-12DP-2.54DSA](#) [MDF7-18P-2.54DSA\(01\)](#) [MDF7-20DP-2.54DSA](#) [MDF7-26D-2.54DSA\(55\)](#) [MDF7-3P-2.54DSA\(01\)](#) [MDF7B-3P-2.54DSA\(55\)](#) [MDF7C-11P-2.54DSA\(55\)](#) [MDF7C-18P-2.54DSA\(55\)](#) [MDF7C-5P-2.54DSA\(01\)](#) [MDF7P-5P-2.54DSA\(55\)](#) [75234-0516](#) [FCN-230C068-11](#) [FCN-268F012-G/BD](#) [FCN-268F036-G/BD](#) [FCN-268M012-G/0D](#) [FCN-268M024-G/1D](#) [FCN-360C008-C](#) [FCN-360C040-C](#) [FCN-723J004/1](#) [MIS-048-01-F-D-DP-K](#) [832-10-034-10-001000](#) [93696-325LF](#) [11828-1FA](#) [AXK630345P](#) [18097-0013](#) [ICA-328STT](#) [2007042-2](#) [304400-2](#) [FCN-214Q030-G/0](#) [FCN-215Q040-G/0](#) [FCN-230C068-ESA](#) [FCN-234P048-G/0](#) [FCN-235D050-G/C](#) [FCN-360A3](#) [FCN-360C040-B](#) [210-93-314-41-105000](#) [2-22603-0](#) [379-064-521-202](#) [MDF7-12P-2.54DSA\(01\)](#) [MDF7-16P-2.54DS\(56\)](#) [MDF7-40DP-2.54DSA\(55\)](#) [MDF7-8P-2.54DSA\(55\)](#) [MDF7B-16P-2.54DSA\(55\)](#) [AXG720047](#) [5031084030](#)