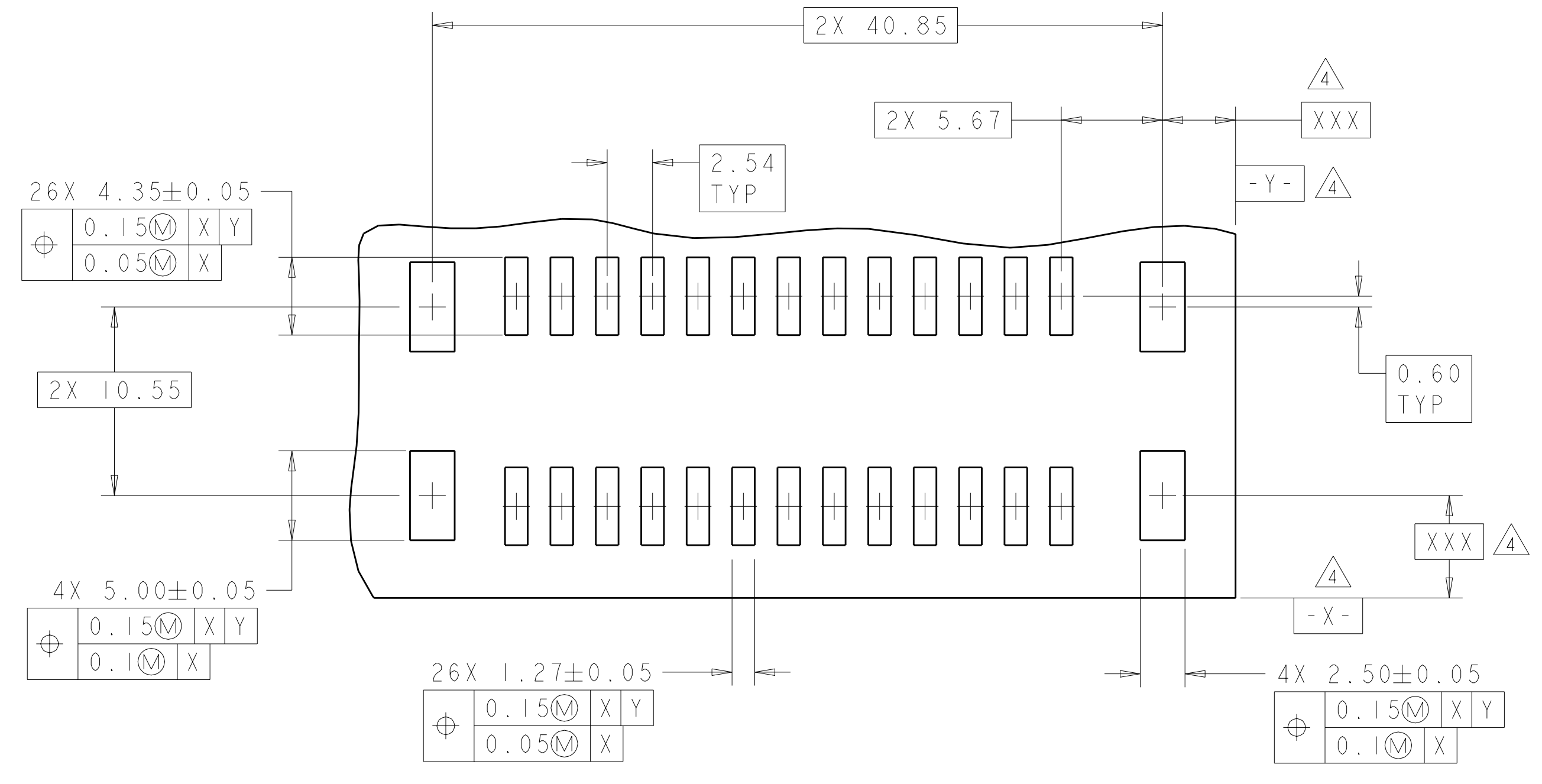
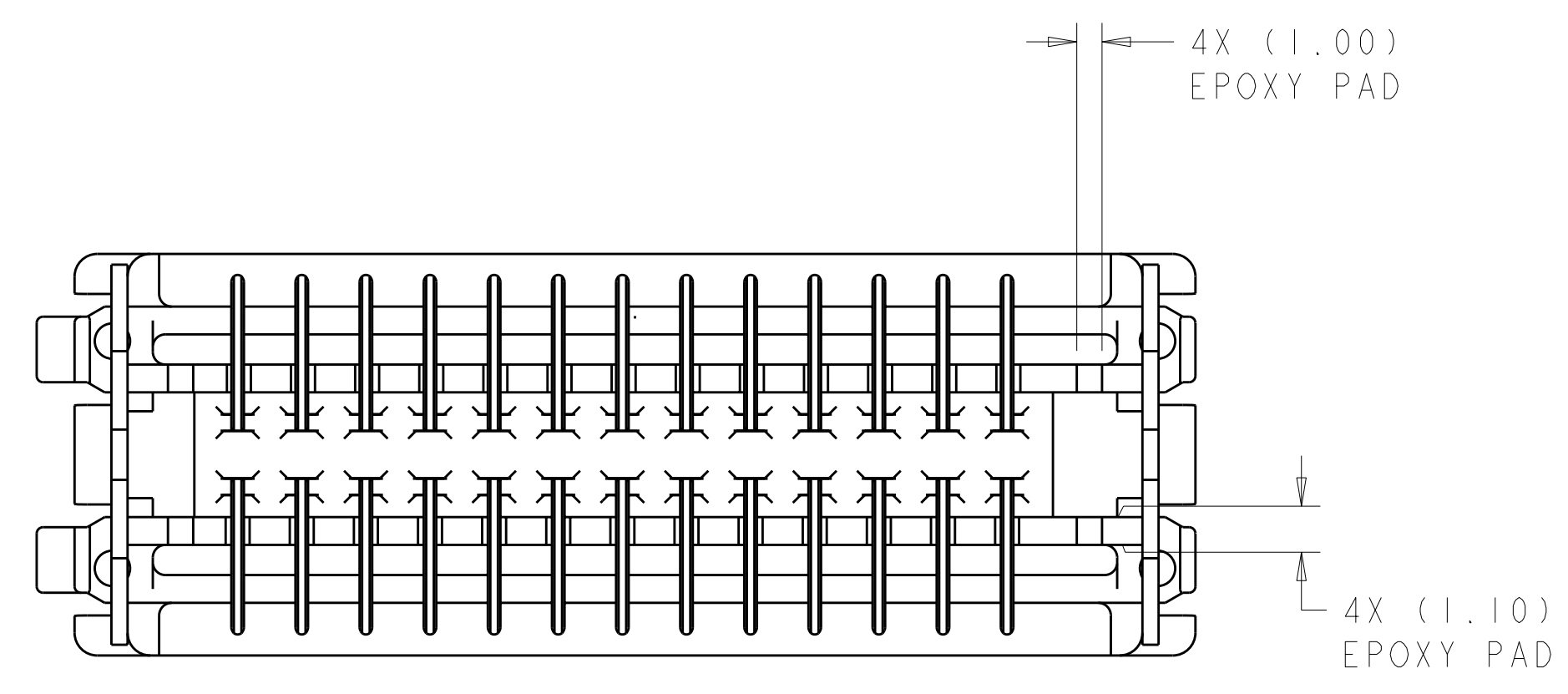
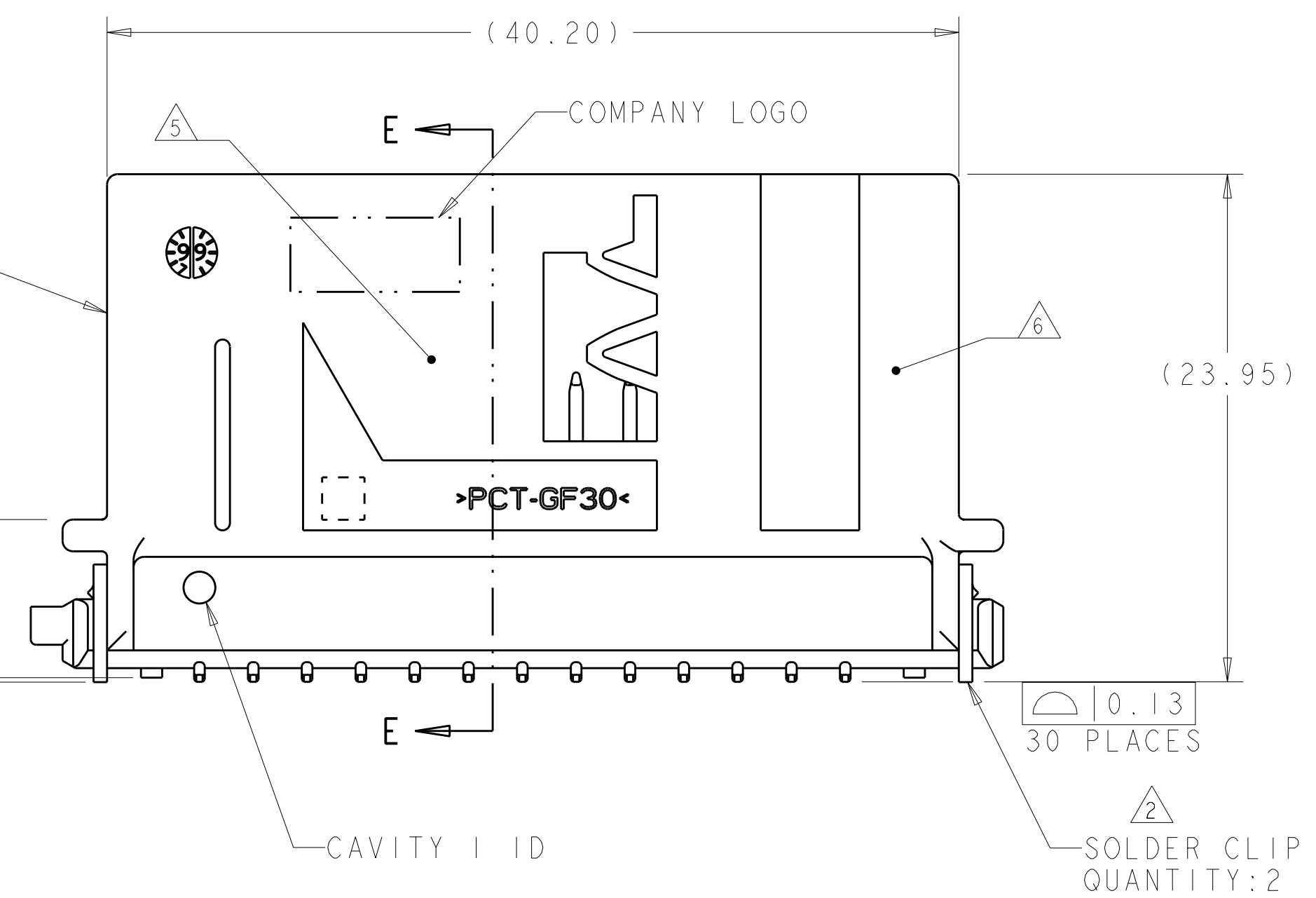
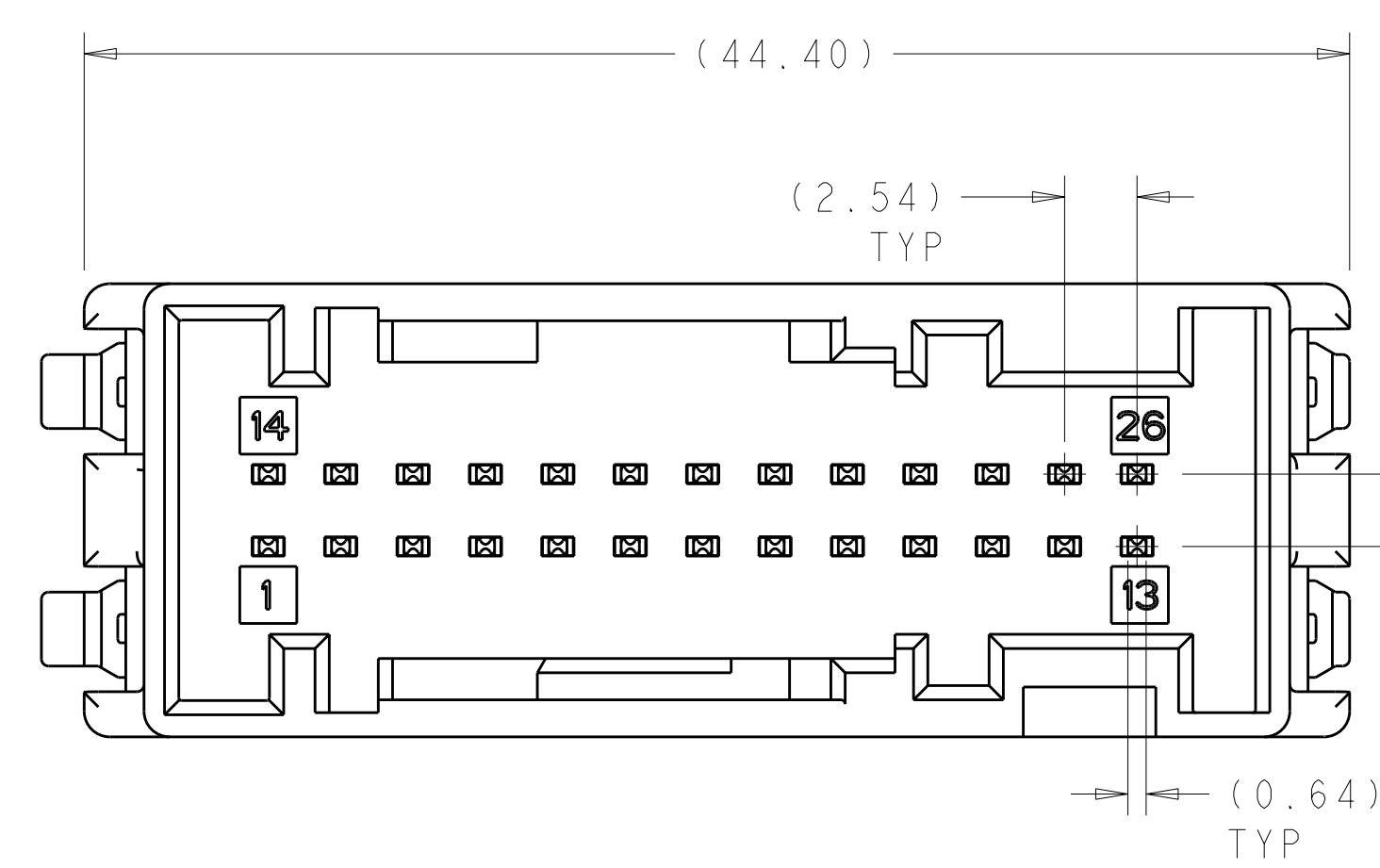
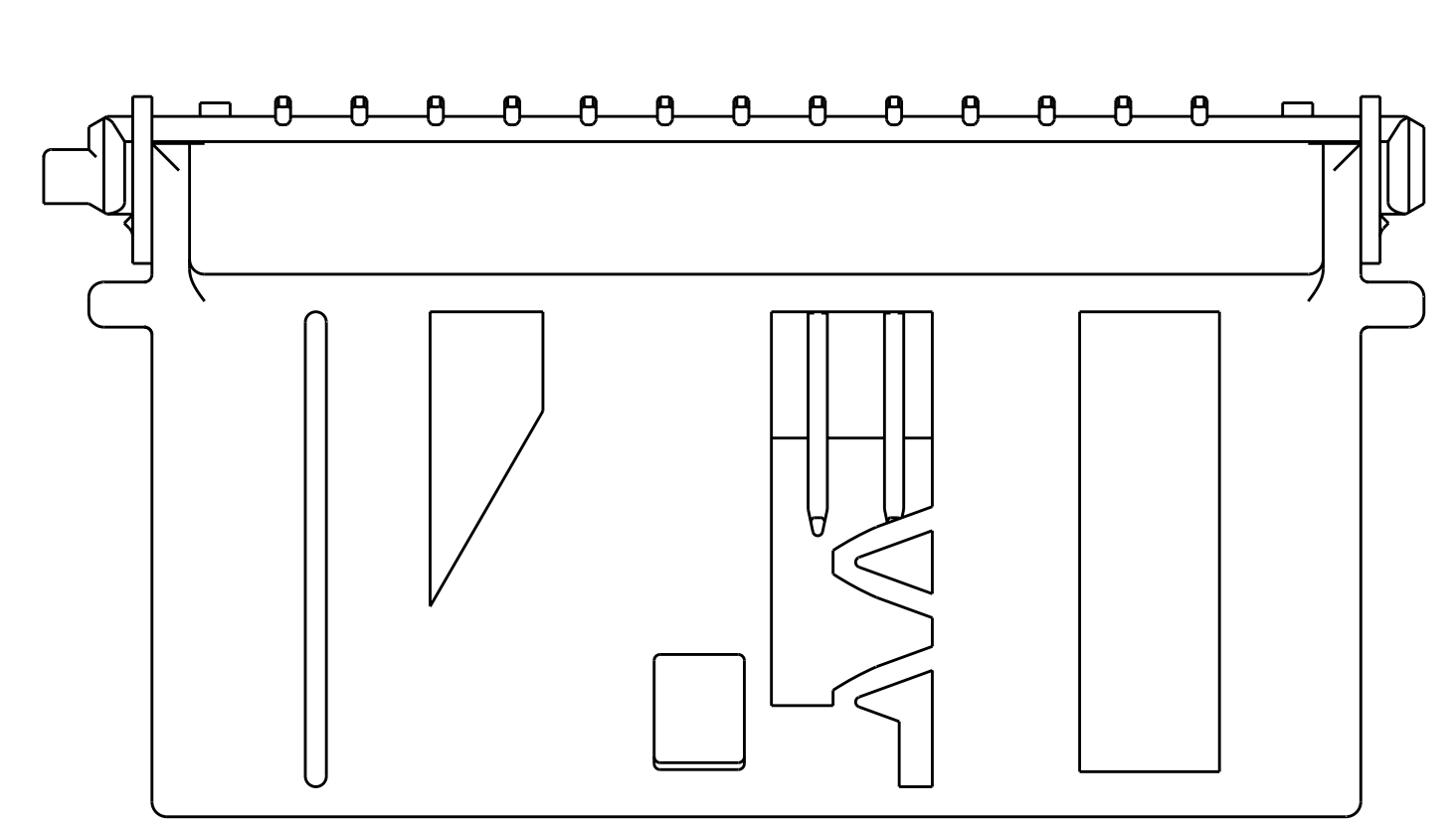
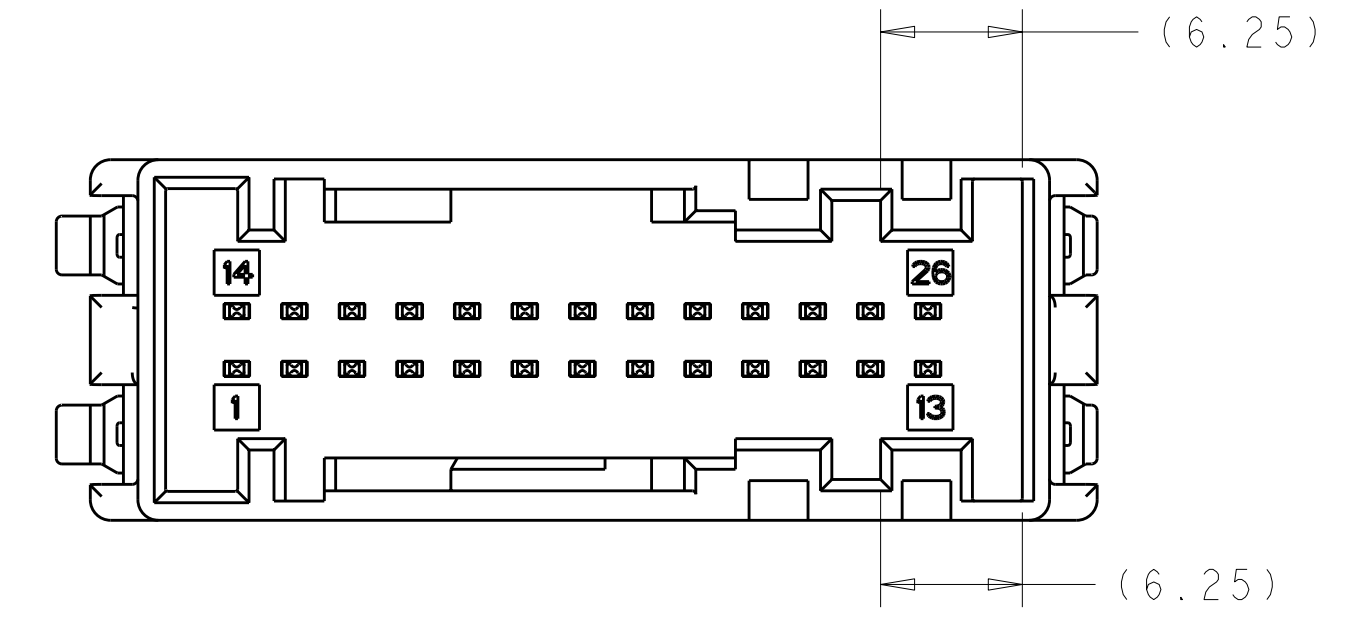


LOC	DIST	REV	DATE	BY	APPD
1N	00				

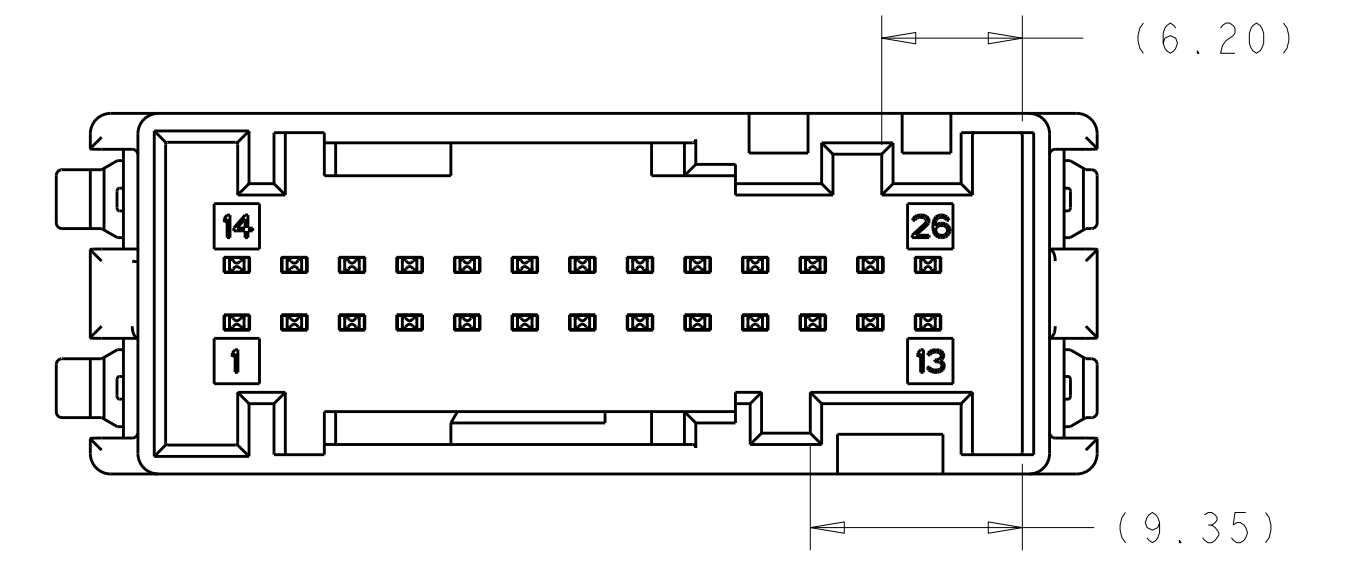
REVISIONS					
REV	DATE	BY	APPD	DESCRIPTION	DATE
A	21JAN2008	RGV	RDH	RELEASED PER ECO-08-001177	
A1	21MAY2008	DLD	RDH	REVISED PER ECO-08-011990	
A2	24NOV2009	DLD	CJS	REVISED PER ECO-09-026137	
A3	31MAY2010	VSS	CS	REV PER ECR-10-011823	



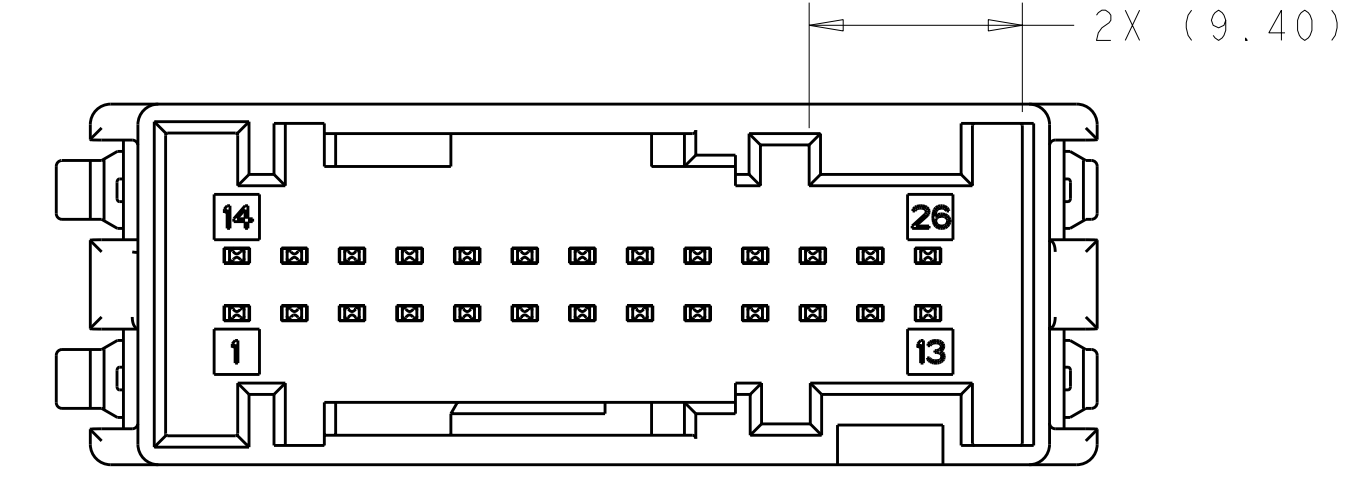
RECOMMENDED PC BOARD LAYOUT
 CONNECTOR SIDE OF BOARD
 SCALE 4:1



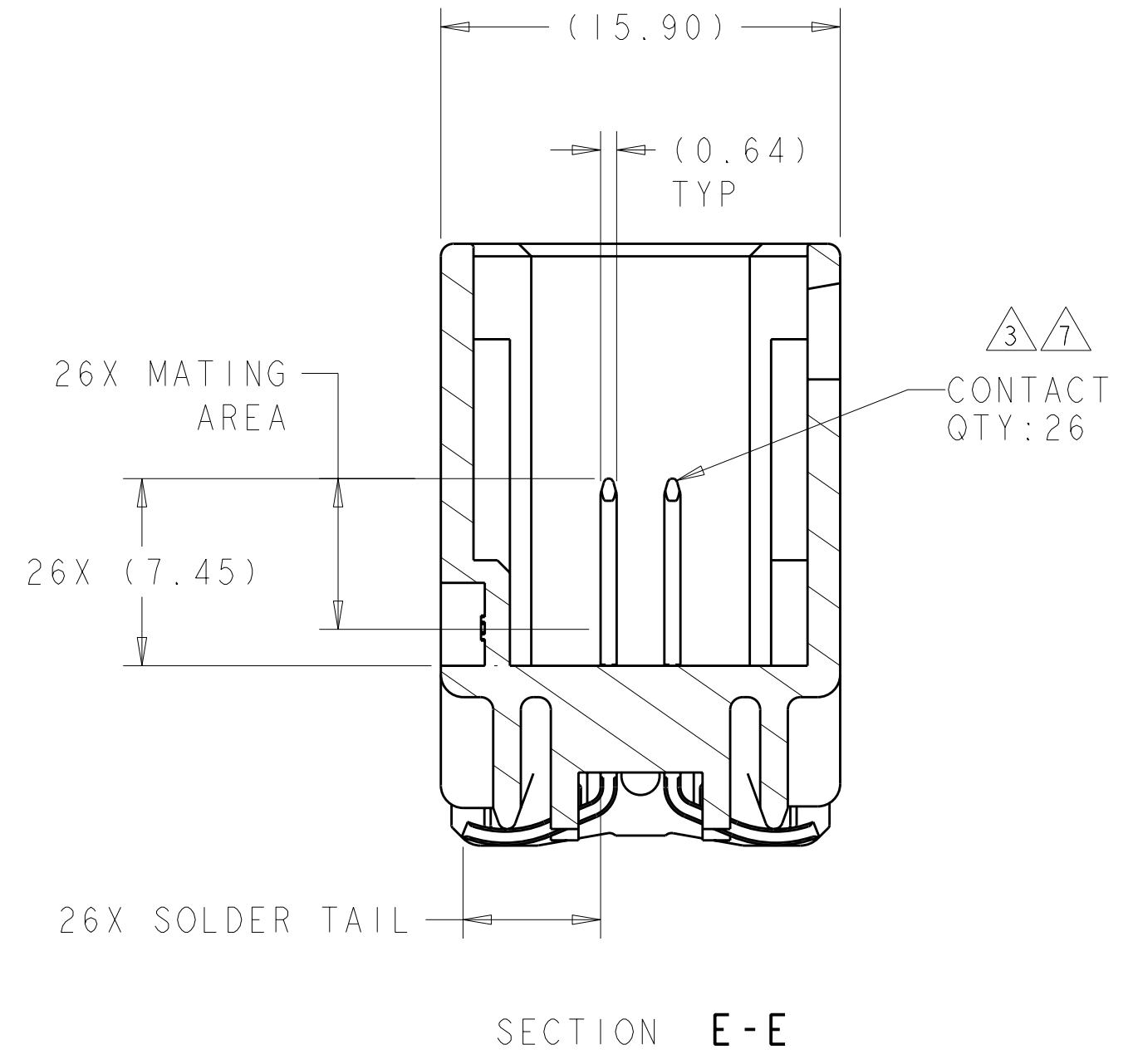
KEYING CODE "BF"
 SCALE 3:1



KEYING CODE "BE"
 SCALE 3:1



KEYING CODE "AE"
 SCALE 3:1



- ① HOUSING: PCT, COLOR - SEE TABLE.
CONTACTS: BRASS.
SOLDER CLIP: BRASS.
- ② SOLDER CLIP: 3.8µm MIN TIN OVER 1.27µm MIN NICKEL.
- ③ CONTACT: 0.8µm MIN TIN IN MATING AREA AND 2.5µm MIN TIN IN SOLDER TAIL ALL OVER 1.00µm NICKEL.
- ④ DATUMS AND BASIC DIMENSIONS ESTABLISHED BY THE CUSTOMER.
- ⑤ ASSEMBLY DATE CODE.
- ⑥ PRODUCT PART NUMBER.
- ⑦ CONTACT: 0.38µm MIN GOLD IN MATING AREA AND 2.5µm MIN TIN IN SOLDER TAIL AREA, ALL OVER 1.00µm NICKEL.

FINISH	PACKAGE TUBE	KEYING CODE	COLOR	PART NUMBER
7	NON RETURNABLE	KEYING CODE "BF"	BLUE	1-1924678-6
7	NON RETURNABLE	KEYING CODE "AE"	BLACK	1-1924678-5
3	NON RETURNABLE	KEYING CODE "BF"	NATURAL	1-1924678-4
3	NON RETURNABLE	KEYING CODE "BF"	BLUE	1-1924678-3
3	NON RETURNABLE	KEYING CODE "BE"	GRAY	1-1924678-2
3	NON RETURNABLE	KEYING CODE "AE"	BLACK	1-1924678-1
3	RETURNABLE	KEYING CODE "BF"	NATURAL	1924678-4
3	RETURNABLE	KEYING CODE "BF"	BLUE	1924678-3
3	RETURNABLE	KEYING CODE "BE"	GRAY	1924678-2
3	RETURNABLE	KEYING CODE "AE"	BLACK	1924678-1

DIMENSIONS: mm		TOLERANCES UNLESS OTHERWISE SPECIFIED: 9 PLC ± 1 PLC ± 3 PLC ± 4 PLC ± ANGLES ±		DWN BY: FOLTZ 25JUL2007 CHK: G. MARTIN 25JUL2007 APVD: G. MARTIN 25JUL2007		Tyco Electronics Harrisburg, PA 17105-3608	
MATERIAL: SEE CALLOUTS		FINISH:		NAME: HEADER ASSEMBLY, 26 WAY, HAND MATE, VERTICAL, WITH SOLDER CLIPS, SURFACE MOUNT, LAC		SIZE: CAGE CODE: DRAWING NO: RESTRICTED TO: A11 00779 C=1924678	
CUSTOMER DRAWING				SCALE: 4:1		SHEET 1 OF 1 REV A3	

X-ON Electronics

Largest Supplier of Electrical and Electronic Components

Click to view similar products for [Automotive Connectors](#) category:

Click to view products by [TE Connectivity](#) manufacturer:

Other Similar products are found below :

[003-018-000](#) [600858](#) [60403001](#) [60993906-B](#) [60993913-B](#) [629515004020001](#) [M902-2131](#) [M902-2161](#) [M902-2344](#) [72.330.1035.1](#)
[73.353.4028.0](#) [F118010](#) [F119300-B](#) [F132210](#) [F132210-B](#) [F166900](#) [F180100](#) [F258300](#) [F258300-B](#) [F294300-B](#) [F339100](#) [F339700](#) [F358300-](#)
[B](#) [F374110](#) [F407400](#) [F412210](#) [F427600](#) [F444110](#) [F487000](#) [F495100-B](#) [F500900-B](#) [F509500B-B](#) [770444-1](#) [776880-1](#) [827153-1](#) [881735-1](#)
[8N1515-32-24P](#) [9-1326727-8](#) [9-1326729-8](#) [925467-1](#) [925474-1](#) [928905-1](#) [936398-2](#) [964562-1](#) [964562-4](#) [964731-2](#) [965051-1](#) [968782-1](#)
[GT17SA-8DS-HU](#) [GT17VS-10DP-5.2CF](#)