



Product Features:

- Gigabit (10/100/1000) Ethernet RJ45
- IEEE802.3ab Compliant
- 350uH min OCL at 8mA DC Bias Across the Full Temp Range
- 30µ" Gold Plating (min) on Contacts
- 100% Compliance Testing
- 1500Vrms Hi-Pot
- Proprietary Robust Contact Design

Part Number		Circuit	LED's (L/R)	Return Loss (min)				PHY Drive
Standard Temp (0 to 70°C)	Extended Temp (-40 to +85°C)			1-40MHz	60MHz	80MHz	100MHz	
HFJT1-1G01RL	HFJT1-E1G01RL	A	None	-18dB	-14dB	-12dB	-10dB	Current
HFJT1-1G01-L11RL	HFJT1-E1G01-L11RL	A	G/G	-18dB	-14dB	-12dB	-10dB	Current
HFJT1-1G01-L12RL	HFJT1-E1G01-L12RL	A	G/Y	-18dB	-14dB	-12dB	-10dB	Current
HFJT1-1G06RL	HFJT1-E1G06RL	B	None	-18dB	-14dB	-12dB	-10dB	Current
HFJT1-1G06-L11RL	HFJT1-E1G06-L11RL	B	G/G	-18dB	-14dB	-12dB	-10dB	Current
HFJT1-1G06-L12RL	HFJT1-E1G06-L12RL	B	G/Y	-18dB	-14dB	-12dB	-10dB	Current
HFJT1-1G11RL*	HFJT1-E1G11RL	C	None	-18dB	-14dB	-12dB	-10dB	Current
HFJT1-1G11-L11RL*	HFJT1-E1G11-L11RL	C	G/G	-18dB	-14dB	-12dB	-10dB	Current
HFJT1-1G11-L12RL*	HFJT1-E1G11-L12RL	C	G/Y	-18dB	-14dB	-12dB	-10dB	Current
HFJT1-1G16RL*	HFJT1-E1G16RL	D	None	-18dB	-14dB	-12dB	-10dB	Current
HFJT1-1G16-L11RL*	HFJT1-E1G16-L11RL	D	G/G	-18dB	-14dB	-12dB	-10dB	Current
HFJT1-1G16-L12RL*	HFJT1-E1G16-L12RL	D	G/Y	-18dB	-14dB	-12dB	-10dB	Current
HFJT1-1G41RL*	HFJT1-E1G41RL	E	None	-18dB	-14dB	-12dB	-10dB	Voltage
HFJT1-1G41-L11RL*	HFJT1-E1G41-L11RL	E	G/G	-18dB	-14dB	-12dB	-10dB	Voltage
HFJT1-1G41-L12RL*	HFJT1-E1G41-L12RL	E	G/Y	-18dB	-14dB	-12dB	-10dB	Voltage
HFJT1-1G46RL*	HFJT1-E1G46RL	F	None	-18dB	-14dB	-12dB	-10dB	Voltage
HFJT1-1G46-L11RL*	HFJT1-E1G46-L11RL	F	G/G	-18dB	-14dB	-12dB	-10dB	Voltage
HFJT1-1G46-L12RL*	HFJT1-E1G46-L12RL	F	G/Y	-18dB	-14dB	-12dB	-10dB	Voltage

*Recommended for New Designs

Notes:

1. LED Key : G = Green, Y = Yellow
2. Other LED colors, bi-colors, polarities, and current limiting versions available
3. Unshielded and without ground shield tabs available
4. Part specific datasheets available
5. Tab-down versions available
6. The 1G11 and 1G16 circuits are recommended for new designs when using current drive PHYs

For additional information contact your [local representative](#), or HALO's support staff at (650) 903-3800 or info@haloelectronics.com

HALO Gigabit Ethernet Family of FastJacks

Circuit A



Circuit B



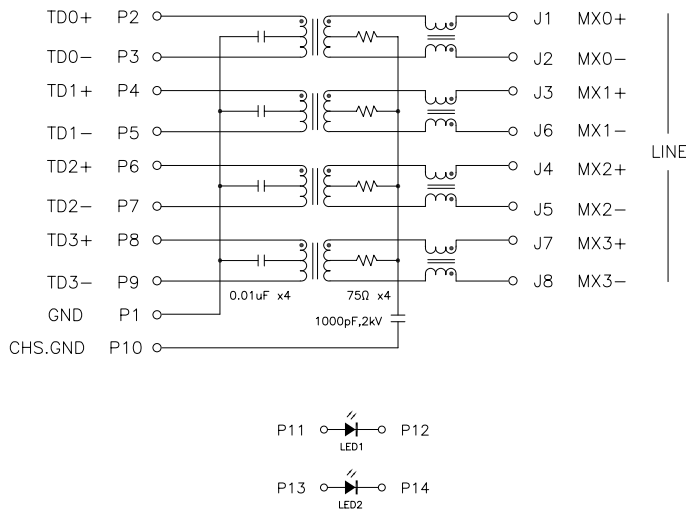
Circuit C



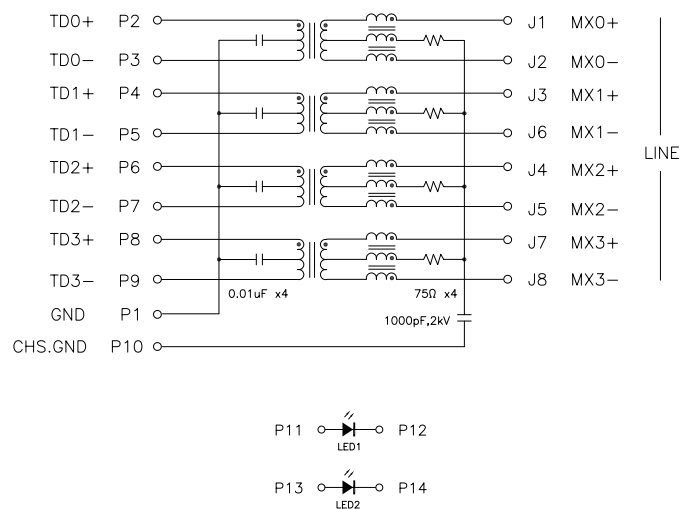
Circuit D

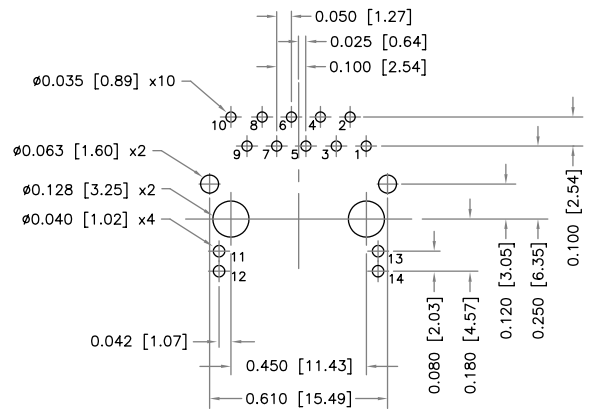
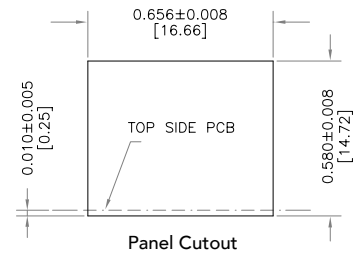


Circuit E



Circuit F





Recommended PCB Layout (Component Side)

* Parts numbers without LED's omit pins 11 through 14



2880 Lakeside Drive #116
 Santa Clara, CA 95054
 (650) 903-3800
www.haloelectronics.com

HALO® Electronics is a leading supplier of high quality communication magnetics including signal transformers, filters, CMR chokes, PoE power transformers, DC/DC converters, and integrated Ethernet connectors. HALO's leading edge technology solutions are manufactured in ISO9001 and ISO14001 factories offering high quality products at a competitive price.

X-ON Electronics

Largest Supplier of Electrical and Electronic Components

Click to view similar products for [Modular Connectors](#) / [Ethernet Connectors](#) category:

Click to view products by [HALO](#) manufacturer:

Other Similar products are found below :

[RJE231881317T](#) [MP1010RX-1000](#) [MP44RX-1000](#) [GAX-3-66](#) [GAX-8-62](#) [93606-0253](#) [GD-A-44](#) [GDCX-PA-66-50](#) [GDCX-PN-64](#) [GDCX-PN-66](#) [GDCX-PN-66-50](#) [GDLX-A-66](#) [GDLX-A-88](#) [GDLX-N-66](#) [GDLX-S-88K](#) [GDTX-S-88-50](#) [GDX-PA-1010](#) [GLX-N-1010M-BLK](#) [GLX-N-44M](#) [GLX-S-88M-BLK](#) [GMX-N-1010](#) [GMX-S-1010](#) [GMX-S-66](#) [GMX-SMT2-N-1010](#) [GMX-SMT2-N-64-50](#) [GMX-SMT2-S6-88](#) [GMX-SMT4-N-88](#) [GPX-2-64](#) [GRT1-BT1-5](#) [GSGX-N-2-88](#) [GSX-NS2-88-3.05](#) [GSX-NS2-88-3.05-50](#) [GSX-NS-88-3.05-30](#) [GSX-NS-88-3.05-50](#) [GSX-NS-88-3.68](#) [1-1775629-2](#) [GWLX-S-88-GR](#) [GWLX-S9-88-YG](#) [1300500326](#) [1300500227](#) [1300530003](#) [1300570002](#) [1324640-4](#) [RJ11FTVC2G](#) [RJ11FTVC2N](#) [RJFTVX2SA1G](#) [132764-001](#) [1400000](#) [1413176](#) [1413235](#)