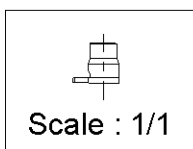
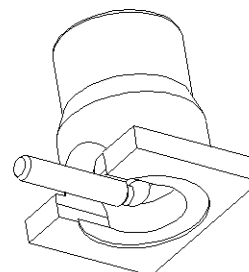
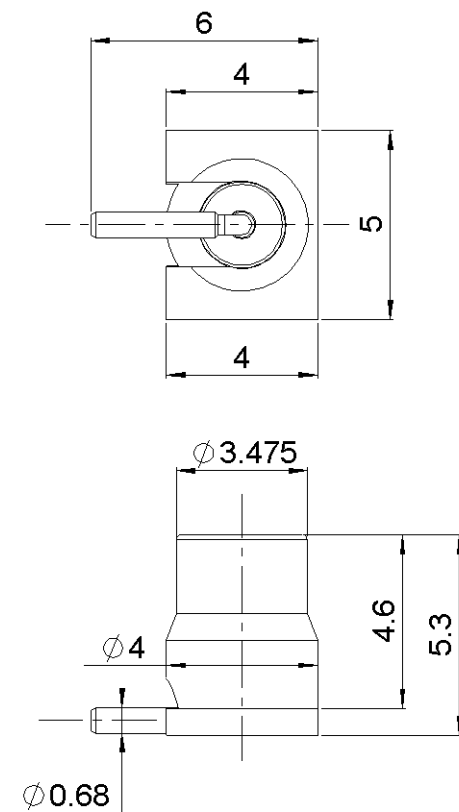
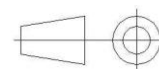


PAGE 1/5	ISSUE 1435C	SERIES <b>MMCX</b>	PART NUMBER <b>R110427820</b>
----------	-------------	--------------------	-------------------------------



All dimensions are in mm.



COMPONENTS	MATERIALS	PLATING (μm)
Body	<b>BRASS</b>	<b>NPGR</b>
Center contact	<b>BERYLLIUM COPPER</b>	<b>GOLD OVER NICKEL</b>
Outer contact	-	-
Insulator	<b>PTFE</b>	-
Gasket	-	-
Others parts	-	-
-	-	-
-	-	-

PAGE 2/5	ISSUE 1435C	SERIES <b>MMCX</b>	PART NUMBER <b>R110427820</b>
----------	-------------	--------------------	-------------------------------

**PACKAGING**

Standard	Unit	Other
<b>500</b>	<b>Contact us</b>	<b>Contact us</b>

**ELECTRICAL CHARACTERISTICS**

Impedance		<b>50</b>	Ω
Frequency		<b>0-6</b>	GHz
VSWR	<b>NA</b>	<b>+</b>	<b>0.0000</b> x F(GHz) Maxi
Insertion loss		<b>NA</b>	√F(GHz) dB Maxi
RF leakage	- (		- F(GHz)) dB Maxi
Voltage rating		<b>250</b>	Veff Maxi
Dielectric withstanding voltage		<b>500</b>	Veff mini
Insulation resistance		<b>1000</b>	MΩ mini

**ENVIRONMENTAL**

Operating temperature	<b>-55/+155</b>	°C
Hermetic seal	<b>NA</b>	Atm.cm3/s
Panel leakage	<b>NA</b>	

**MECHANICAL CHARACTERISTICS**

Center contact retention			
Axial force – Mating End	<b>10*</b>		N mini
Axial force – Opposite end	<b>10*</b>		N mini
Torque	<b>NA</b>		N.cm mini
Recommended torque			
Mating	<b>NA</b>		N.cm
Panel nut	<b>NA</b>		N.cm
Mating life	<b>500</b>		Cycles mini
Weight	<b>0.3440</b>		g

**SPECIFICATION**

**OTHER CHARACTERISTICS**

Assembly instruction:

Others:

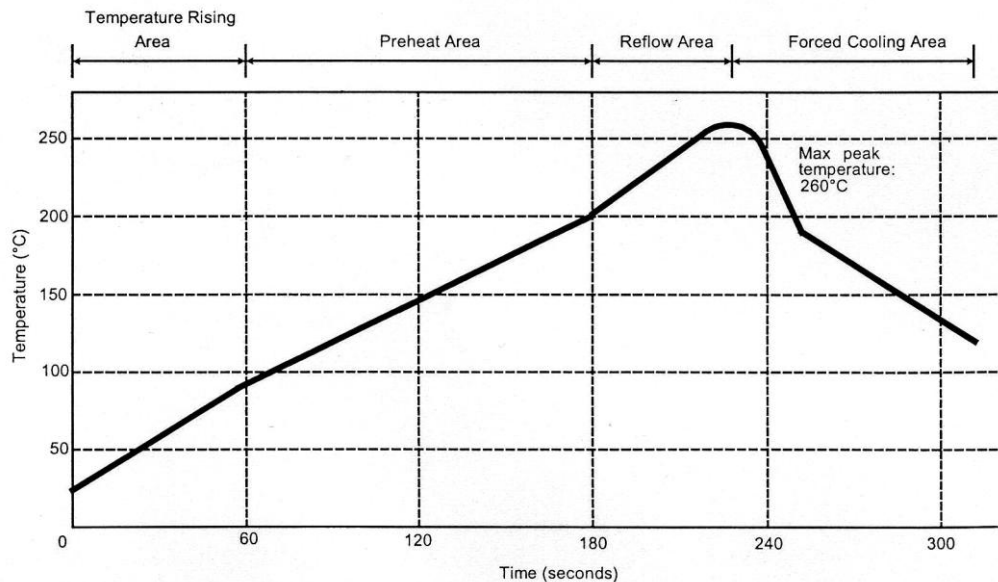
**\* after soldering (apres soudure)**

PAGE 3/5	ISSUE 1435C	SERIES <b>MMCX</b>	<b>PART NUMBER R110427820</b>
----------	-------------	--------------------	-------------------------------

## SOLDER PROCEDURE IN INDUSTRIAL ENVIRONMENT

- Deposition of solder paste 'Sn Ag4 Cu0.5' on mounting zone by screen printing application. We recommend a low residue flux.  
We advise a thickness of 150 microns ( .006 inch ). Verify that the edges of the zone are clean.
- Placement of the receptacle on the mounting zone with an automatic machine of 'pick and place' type.  
Video camera is recommended for the positioning of the component. Adhesive agents must not be used on the receptacle.
- Soldering by infra-red reflow.  
Below, please find the typical profile to use.
- Cleaning of printed circuit boards.
- Checking of solder joints and position of the component by visual inspection.

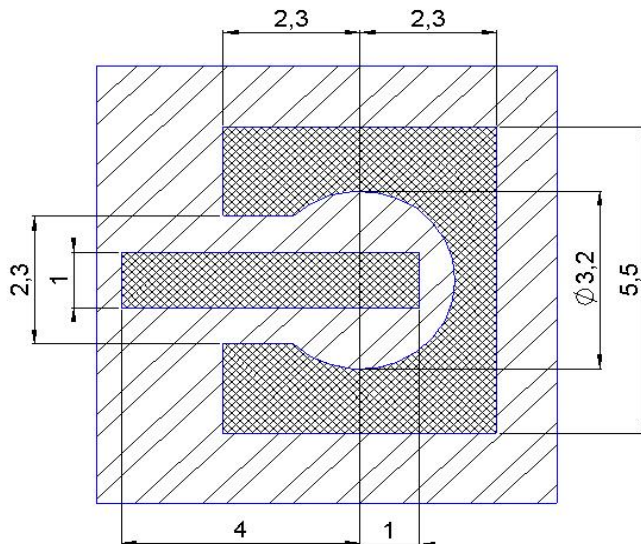
### TEMPERATURE PROFILE



Parameter	Value	Unit
Temperature rising Area	1 - 4	°C/sec
Max Peak Temperature	260	°C
Max dwell time @260°C	10	sec
Min dwell time @235°C	20	sec
Max dwell time @235°C	60	sec
Temperature drop in cooling Area	-1 to - 4	°C/sec
Max dwell time above 100°C	420	sec

PAGE 4/5	ISSUE 1435C	SERIES MMCX	PART NUMBER R110427820
----------	-------------	-------------	------------------------

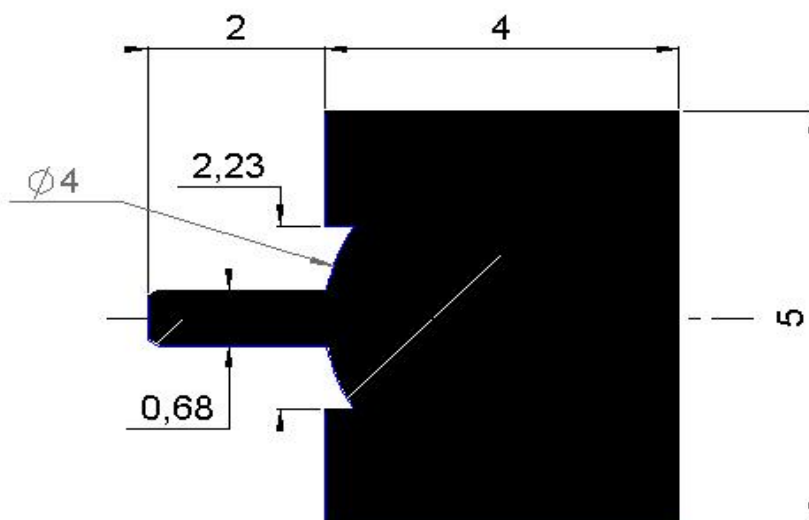
### STANDARD PAD



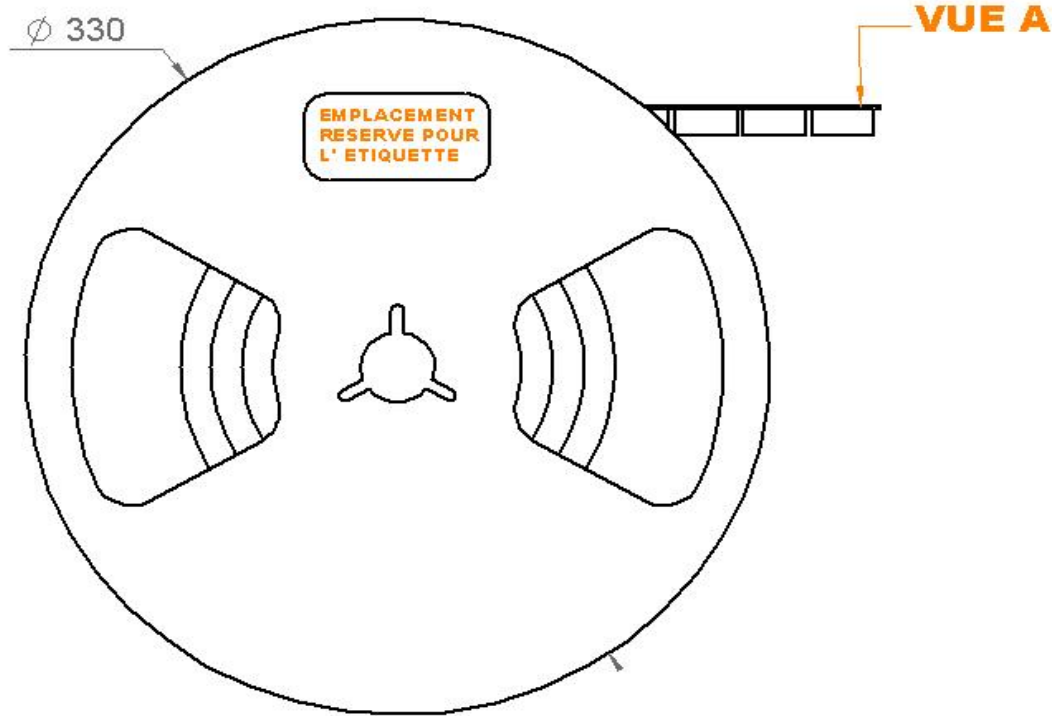
-  Masse + vernis  
Ground + varnish
-  Plots de soudure  
Lands for solder paste

COPLANAR LINE  
 Pattern and signal are on the same side.  
 Thickness of the PCB : 1.6 mm  
 The material of the PCB is the epoxy resin of glass fabrics bac ( ER : 4.8 )  
 The solder resist should be printed except for the land pattern on the PCB.

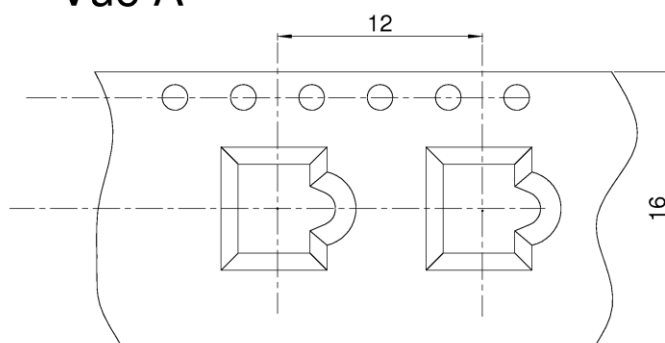
### SHADOW OF RECEPTACLE FOR VIDEO CAMERA



PAGE 5/5	ISSUE 1435C	SERIES MMCX	PART NUMBER R110427820
----------	-------------	-------------	------------------------



Vue A



## X-ON Electronics

Largest Supplier of Electrical and Electronic Components

*Click to view similar products for [RF Connectors / Coaxial Connectors](#) category:*

*Click to view products by [Radiall](#) manufacturer:*

Other Similar products are found below :

[R125315120](#) [8915-1511-000](#) [89674-0827](#) [5916-1103-603](#) [0106-001-000](#) [6-0001-3](#) [6001-7071-019](#) [6002-7051-003](#) [6002-7551-202](#) [6059674-1](#) [619550-1](#) [630059-000](#) [M39012/25-0021](#) [M39012/79-3008](#) [M39030/3-01N](#) [M39030/3-03N](#) [M3933/25-36N](#) [6500-7071-046](#) [6501-1071-002](#) [M83723/72W2457N](#) [6769](#) [CX050L2AQ](#) [7002-1541-010](#) [7002-1572-002](#) [7003-1572-002](#) [7004-1512-000](#) [7009-1511-004](#) [7010-1511-000](#) [7029-1511-060](#) [7101-1541-010](#) [7101-1571-002](#) [7105-1521-002](#) [7145-1521-002](#) [7209-1511-011](#) [7210-1511-012](#) [7210-1511-015](#) [7210-1511-019](#) [7210-1511-040](#) [7225-1512-050](#) [7242-1511-000](#) [73137-5015](#) [73251-0111](#) [73251-0672](#) [73276-1501](#) [73366-0013](#) [73404-2300](#) [73413-6080](#) [73415-5721](#) [7405-1521-005](#) [7405-1521-802](#)