

THIS DRAWING AND THE SUBJECT MATTER SHOWN THEREON ARE CONFIDENTIAL AND PROPERTY OF BEL STEWART OF BEL STEWART CONNECTOR. THE SUBJECT MATTER MAY BE PATENTED OR A PATENT MAY BE PENDING.

Bel Stewart Connector
1118 Susquehanna Trail, South
Glen Rock, Pa 17327-9199
717.234.7512
<http://www.stewartconnector.com>



ELECTRICAL SPECIFICATIONS:

NOTES
1.0 PINS WITHOUT ELECTRICAL CONNECTION ARE OMITTED.

1.0 TURNS RATIO: (P6-P5-P4) : (J6-J3)
(P3-P2-P1) : (J2-J1)

1CT : 1CT ± 3%
1CT : 1CT ± 3%

2.0 INDUCTANCE: (P6-P4)
(P3-P1)

: 350uH MIN. @ 0.1V, 100KHZ, 8mA DC Bias
: 350uH MIN. @ 0.1V, 100KHZ, 8mA DC Bias

3.0 LEAKAGE INDUCTANCE: P6-P4 (WITH J6 AND J3 SHORT)
P3-P1 (WITH J2 AND J1 SHORT)

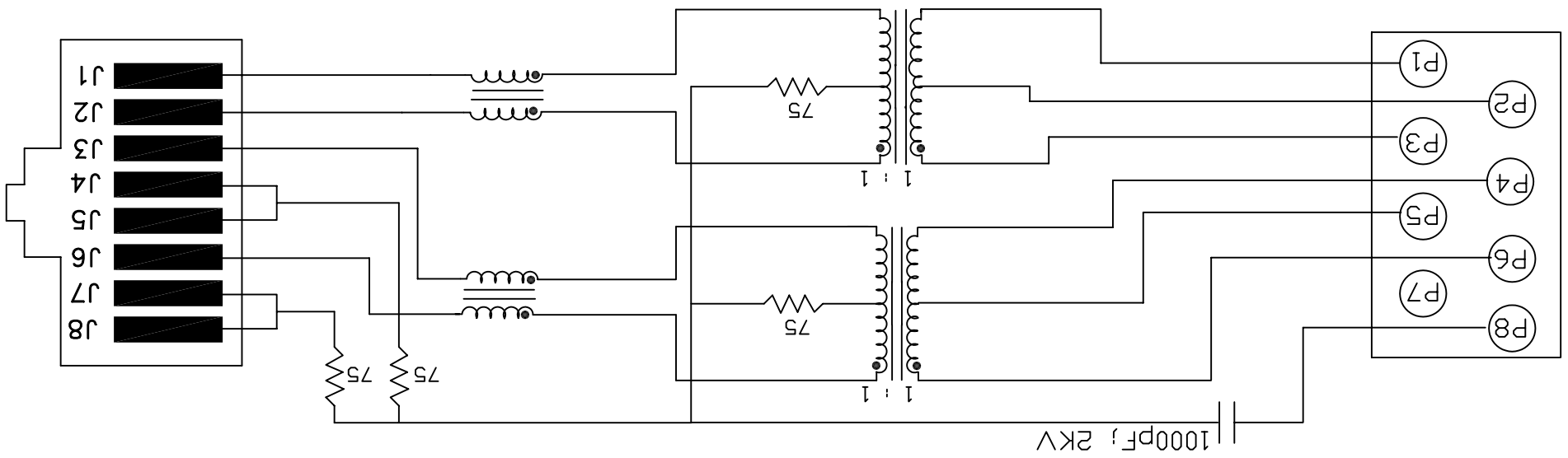
: 0.3 MAX. @ 1MHZ
: 0.3 MAX. @ 1MHZ

4.0 INTERWINDING CAPACITANCE: (P6,P5,P4) TO (J6,J3)
(P3,P2,P1) TO (J2,J1)

: 30pf MAX @ 1MHZ
: 30pf MAX. @ 1MHZ

5.0 DC RESISTANCE: (J6-J3)=(J2-J1)

: 1.2 ohms Max.



THIS DRAWING AND THE SUBJECT MATTER SHOWN THEREON ARE CONFIDENTIAL AND PROPERTY OF BEL STEWART CONNECTOR AND SHALL NOT BE REPRODUCED, COPIED, OR USED IN ANY MANNER WITHOUT PRIOR WRITTEN CONTENT OF BEL STEWART CONNECTOR. THE SUBJECT MATTER MAY BE PATENTED OR A PATENT MAY BE PENDING.

SHEET 2 OF 3
DRAWING NO. SI-46006-F
REV. A1

Bel Stewart Connector
1118 Susquehanna Trail, South
Glen Rock, Pa 17327-9199
717.234.7512
Magjack
<http://www.stewartconnector.com>

6.0 RETURN LOSS: (P6-P4)=100 OHMS AND (P1-P3)=100 OHM REF.

1MHZ TO 30MHZ

60MHZ TO 80MHZ

NOTE: 100 OHMS CONNECTED TO (J2-J1) OR (J6-J3).

7.0 VOLTAGE WITHSTAND:

(J1, J2) TO (P1, P3)

(J3, J6) TO (P4, P6)

: 1500 VAC

: 1500 VAC

8.0 INSERTION LOSS: RS=RL=100 ohms

100KHZ TO 100MHZ

1.1 dB TYP

9.0 RISE TIME: RS=100 OHMS AND RL = 100 OHMS

OUTPUT VOLTAGE = 1 V peak

PULSE WIDTH= 12ns

3.0 nS MAX

3.0 nS MAX

10.0 CROSS TALK:

1MHZ TO 100MHZ

40 dB TYP

11.0 COMMON TO COMMON MODE ATTENUATION:

30MHZ TO 100MHZ

35dB TYP

THIS DRAWING AND THE SUBJECT MATTER SHOWN THEREON ARE CONFIDENTIAL AND PROPERTY OF BEL STEWART CONNECTOR AND SHALL NOT BE REPRODUCED, COPIED, OR USED IN ANY MANNER WITHOUT PRIOR WRITTEN CONTENT OF BEL STEWART CONNECTOR. THE SUBJECT MATTER MAY BE PATENTED OR A PATENT MAY BE PENDING.

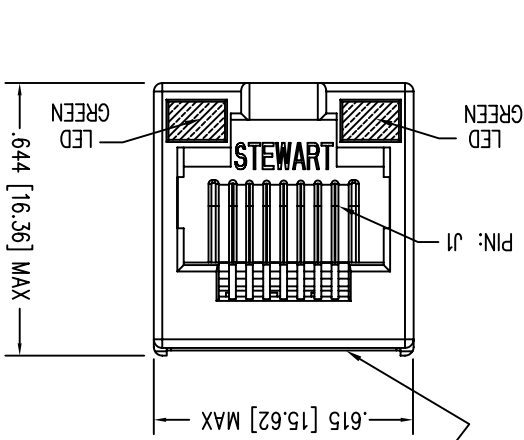
Magjack
1118 Susquehanna Trail, South
Glen Rock, Pa 17327-9199
717.234.7512
<http://www.stewartconnector.com>

Bel Stewart Connector

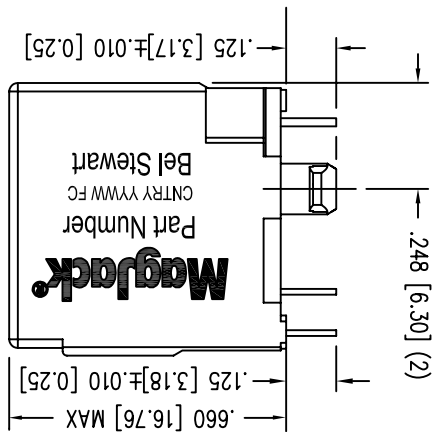
* WITH A FORWARD CURRENT OF 20 mA

STANDARD LED		* FORWARD VOLTAGE (MAX)	* FORWARD VOLTAGE (TYP)	POWER DISSIPATION	WAVELENGTH	2 MCD	8 MCD
		2.6 V	2.25 V	105 mW	555 nm	2 MCD	8 MCD
						MIN	MAX
						LUMINOUS INTENSITY @ 10mA	

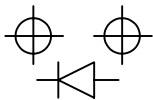
LED SPECIFICATIONS



MAGNETIC COMPONENT CAVITY IS FILLED WITH POTTING COMPOUND



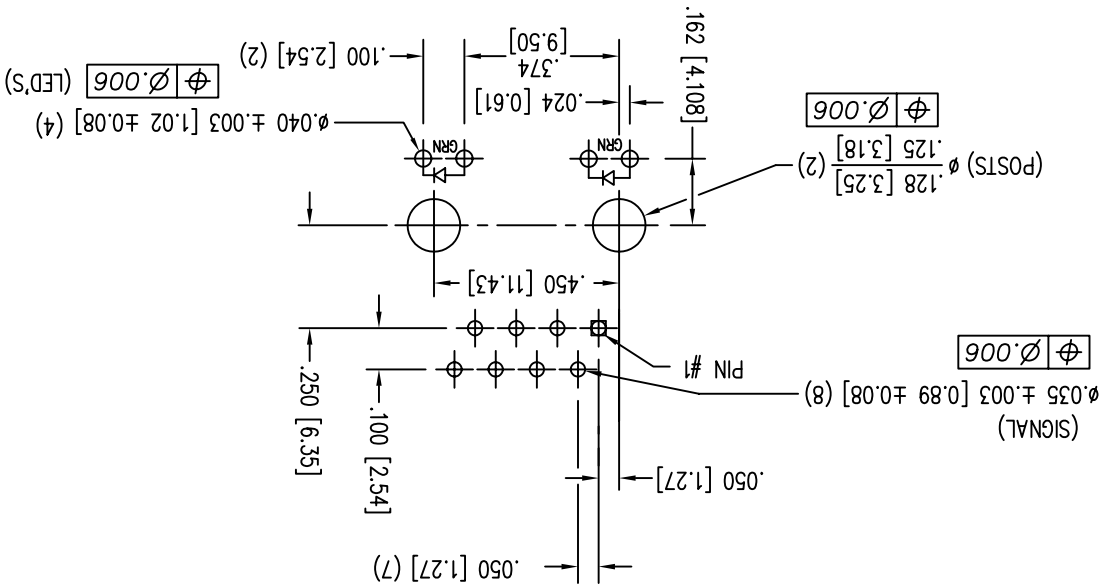
SINGLE COLOR LED



LED POLARITY (ENLARGED VIEW)

ALL CENTERLINE DIMENSIONS ARE BASIC.

P.C.B. RECOMMENDED HOLE LAYOUT SEEN FROM COMPONENT SIDE



1. CONNECTOR MATERIALS: HOUSING: THERMOPLASTIC UL94 V-0 CONTACT: COPPER ALLOY CONTACT PLATING: SELECTIVE GOLD.
2. PIN NOT ELECTRICALLY CONNECTED MAYBE OMITTED. SEE ELECTRICAL DRAWING FOR OMITTED PINS.
3. TOLERANCES COMPLY WITH F.C.C. DIMENSION REQUIREMENTS.
4. ALL TOLERANCES NOT OTHERWISE SPECIFIED TO BE ±.005 [0.13]
5. WAVE SOLDER COMPATIBLE - PREHEAT 125°C/90SECS.

NOTES:

- 50 MICRO-INCHES MIN. IN CONTACT AREA.



X-ON Electronics

Largest Supplier of Electrical and Electronic Components

Click to view similar products for [Modular Connectors](#) / [Ethernet Connectors](#) category:

Click to view products by [Bel Fuse](#) manufacturer:

Other Similar products are found below :

[RJE231881317T](#) [MP1010RX-1000](#) [MP44RX-1000](#) [GAX-3-66](#) [GAX-8-62](#) [93606-0253](#) [GD-A-44](#) [GDCX-PA-66-50](#) [GDCX-PN-64](#) [GDCX-PN-66](#) [GDCX-PN-66-50](#) [GDLX-A-66](#) [GDLX-A-88](#) [GDLX-N-66](#) [GDLX-S-88K](#) [GDTX-S-88-50](#) [GDX-PA-1010](#) [GLX-N-1010M-BLK](#) [GLX-N-44M](#) [GLX-S-88M-BLK](#) [GMX-N-1010](#) [GMX-S-1010](#) [GMX-S-66](#) [GMX-SMT2-N-1010](#) [GMX-SMT2-N-64-50](#) [GMX-SMT2-S6-88](#) [GMX-SMT4-N-88](#) [GPX-2-64](#) [GRT1-BT1-5](#) [GSGX-N-2-88](#) [GSX-NS2-88-3.05](#) [GSX-NS2-88-3.05-50](#) [GSX-NS-88-3.05-30](#) [GSX-NS-88-3.05-50](#) [GSX-NS-88-3.68](#) [1-1775629-2](#) [GWLX-S-88-GR](#) [GWLX-S9-88-YG](#) [1300500326](#) [1300500227](#) [1300530003](#) [1300570002](#) [1324640-4](#) [RJ11FTVC2G](#) [RJ11FTVC2N](#) [RJFTVX2SA1G](#) [132764-001](#) [1400000](#) [1413176](#) [1413235](#)