

SiT9003

Low Power Spread Spectrum Oscillator



Features

- Frequency range from 1 MHz to 110 MHz
- LVCMOS/LVTTL compatible output
- Standby current as low as 0.4 μ A
- Fast resume time of 3 ms (Typ)
- <30 ps cycle-to-cycle jitter
- Spread options (contact SiTime for other spread options)
 - Center spread: $\pm 0.50\%$, $\pm 0.25\%$
 - Down spread: -1%, -0.5%
- Standby, output enable, or spread disable mode
- Industry-standard packages: 2.5 x 2.0, 3.2 x 2.5, 5.0 x 3.2, 7.0 x 5.0 mm x mm
- Outstanding mechanical robustness for portable applications
- All-silicon device with outstanding reliability of 2 FIT (10x improvement over quartz-based devices), enhancing system mean-time-to-failure (MTBF)
- Pb-free, RoHS and REACH compliant

Applications

- Printers
- Flat panel drivers
- PCI
- Microprocessors



DC Electrical Characteristics

| Parameters | Symbol | Min. | Typ. | Max. | Unit | Condition |
|-----------------------------|----------|------|------|------|---------|--------------------------------------------------------------------------------------------------------------------------------------------|
| Output Frequency Range | f | 1 | – | 110 | MHz | |
| Frequency Tolerance | F_tol | -50 | – | +50 | PPM | Inclusive of: Initial stability, operating temperature, rated power, supply voltage change, load change, shock and vibration Spread Off |
| | | -100 | – | +100 | PPM | |
| Aging | Ag | -1 | – | 1 | PPM | 1st year at 25°C |
| Operating Temperature Range | T_use | -20 | – | +70 | °C | Extended Commercial |
| | | -40 | – | +85 | °C | Industrial |
| Supply Voltage | Vdd | 1.71 | 1.8 | 1.89 | V | |
| | | 2.25 | 2.5 | 2.75 | V | |
| | | 2.52 | 2.8 | 3.08 | V | |
| | | 2.97 | 3.3 | 3.63 | V | |
| Current Consumption | Idd | – | 3.7 | 4.1 | mA | No load condition, f = 20 MHz, Vdd = 2.5 V, 2.8 V or 3.3 V |
| | | – | 3.2 | 3.5 | mA | No load condition, f = 20 MHz, Vdd = 1.8 V |
| Standby Current | I_std | – | 2.4 | 4.3 | μ A | ST = GND, Vdd = 3.3 V, Output is Weakly Pulled Down |
| | | – | 1.2 | 2.2 | μ A | ST = GND, Vdd = 2.5 or 2.8 V, Output is Weakly Pulled Down |
| | | – | 0.4 | 0.8 | μ A | ST = GND, Vdd = 1.8 V, Output is Weakly Pulled Down |
| Duty Cycle | DC | 45 | – | 55 | % | All Vdds. f \leq 70 MHz |
| | | 40 | – | 60 | % | All Vdds. f >70 MHz |
| Rise/Fall Time | Tr, Tf | – | 1 | 2 | ns | 20% - 80% Vdd=2.5 V, 2.8 V or 3.3 V, 15 pf load |
| | | – | 1.3 | 2.5 | ns | 20% - 80% Vdd=1.8 V, 15 pf load |
| Output Voltage High | VOH | 90% | – | – | Vdd | IOH = -4 mA (Vdd = 3.3 V) |
| | | | | | | IOH = -3 mA (Vdd = 2.8 V and 2.5 V) |
| | | | | | | IOH = -2 mA (Vdd = 1.8 V) |
| Output Voltage Low | VOL | – | – | 10 | %Vdd | IOL = -4 mA (Vdd = 3.3 V) |
| | | | | | | IOL = -3 mA (Vdd = 2.8 V and 2.5 V) |
| | | | | | | IOL = -2 mA (Vdd = 1.8 V) |
| Output Load | Ld | – | – | 15 | pF | At maximum frequency and supply voltage. Contact SiTime for higher output load option |
| Input Voltage High | VIH | 70% | – | – | Vdd | Pin 1, OE or ST or SD |
| Input Voltage Low | VIL | – | – | 30% | Vdd | Pin 1, OE or ST or SD |
| Startup Time | T_start | – | – | 10 | ms | Measured from the time Vdd reaches its rated minimum value |
| Resume Time | T_resume | – | 3.0 | 3.8 | ms | Measured from the time ST pin crosses 50% threshold |
| Cycle-to-Cycle Jitter | T_cyc | – | – | 26 | ps | f = 50 MHz, Spread = ON |
| | | | | 26 | ps | f = 50 MHz, Spread = OFF |

Spread Spectrum Modes^[1]

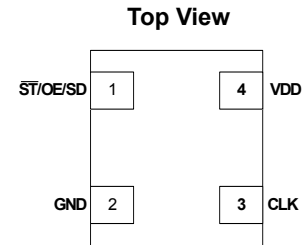
| Code | Center Spread | | Down Spread | |
|------------|---------------|-----------------------|-------------|----------------------|
| | B | D | O | Q |
| Percentage | ±0.25% | ±0.50% ^[2] | -0.5% | -1.0% ^[2] |

Notes:

1. In both center spread and down spread modes, triangle modulation is employed with a frequency of ~32 kHz.
2. ±0.5% and -1.0% are available ONLY for <75 MHz in extended commercial temperature range.

Pin Configuration

| Pin | Symbol | Functionality | |
|-----|-----------------------|---------------------|--------------------------------------------------------------------------------------------------------------|
| 1 | $\overline{ST/OE/SD}$ | Standby (ST) | H or Open ^[3] : specified frequency output L: output is low (weak pull down). Oscillator stops |
| | | Output Enable (OE) | H or Open ^[3] : specified frequency output L: output is high impedance. |
| | | Spread Disable (SD) | H or Open: Spread = ON L: Spread =OFF |
| 2 | GND | Ground | Connect to Ground |
| 3 | CLK | Output | Clock Output |
| 4 | VDD | Power Supply | |



Note:

3. In 1.8 V mode, a resistor of <10 kΩ between OE pin and VDD is recommended.

Absolute Maximum

Attempted operation outside the absolute maximum ratings of the part may cause permanent damage to the part. Actual performance of the IC is only guaranteed within the operational specifications, not at absolute maximum ratings.

| Parameters | Min. | Max. | Unit |
|----------------------------------------------------------------------|------|--------|-------|
| Storage Temperature | -65 | 150 | °C |
| VDD | -0.5 | 4 | V |
| Electrostatic Discharge | – | 2000 | V |
| Soldering Temperature (follow standard Pb free soldering guidelines) | – | 260 | °C |
| Number of Program Writes | – | 1 | NA |
| Program Retention over -40 to 125C, Process, VDD (0 to 3.65V) | – | 1,000+ | years |

Thermal Considerations

| Package | Lead Count | Center Pad | Junction-to-Ambient Thermal Resistance (°C/W) | | Junction-to-Case ^[6] (bottom) Thermal Resistance (°C/W) |
|---------|------------|-------------------|-----------------------------------------------|------------------------------|--------------------------------------------------------------------|
| | | | 4 Layer Board ^[5] | 2 Layer Board ^[4] | |
| 7050 | 4 | Soldered down | 43.6 | 229 | 2.6 |
| 7050 | 4 | Not soldered down | 191 | 263 | 2.6 |
| 7050 | 4 | No center pad | 142 | 273 | 29.8 |
| 5032 | 4 | No center pad | 96.8 | 199 | 24 |
| 3225 | 4 | No center pad | 109 | 212 | 27 |
| 2520 | 4 | No center pad | 117 | 222 | 26 |

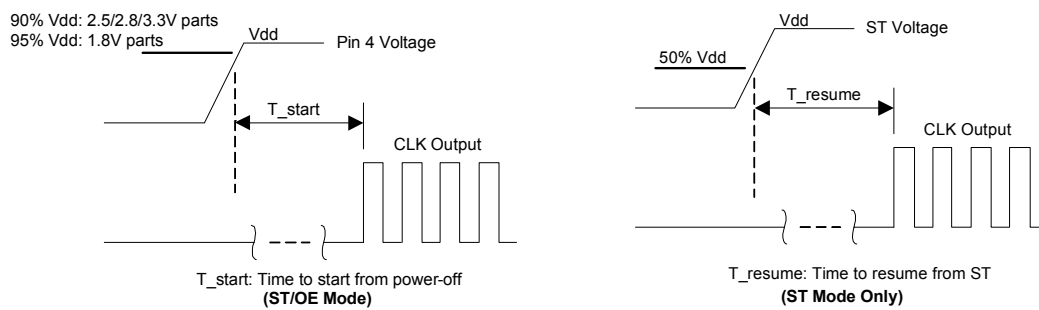
Notes:

4. Test boards compliant with JESD51-3.
5. Test boards compliant with JESD51-7.
6. Referenced to bottom of case.

Environmental Compliance

| Parameter | Condition/Test Method |
|----------------------------|---------------------------|
| Mechanical Shock | MIL-STD-883F, Method 2002 |
| Mechanical Vibration | MIL-STD-883F, Method 2007 |
| Temperature Cycle | JESD22, Method A104 |
| Solderability | MIL-STD-883F, Method 2003 |
| Moisture Sensibility Level | MSL1 |

Startup and Resume Timing Diagram



Programmable Drive Strength

The SiT9003 includes a programmable drive strength feature to provide a simple, flexible tool to optimize the clock rise/fall time for specific applications. Benefits from the programmable drive strength feature are:

- Improves system radiated electromagnetic interference (EMI) by slowing down the clock rise/fall time
- Improves the downstream clock receiver's (RX) jitter by decreasing (speeding up) the clock rise/fall time.
- Ability to drive large capacitive loads while maintaining full swing with sharp edge rates.

For more detailed information about rise/fall time control and drive strength selection, see the SiTime Applications Note section; <http://www.sitime.com/support/application-notes>.

EMI Reduction by Slowing Rise/Fall Time

Figure 1 shows the harmonic power reduction as the rise/fall times are increased (slowed down). The rise/fall times are expressed as a ratio of the clock period. For the ratio of 0.05, the signal is very close to a square wave. For the ratio of 0.45, the rise/fall times are very close to near-triangular waveform. These results, for example, show that the 11th clock harmonic can be reduced by 35 dB if the rise/fall edge is increased from 5% of the period to 45% of the period.

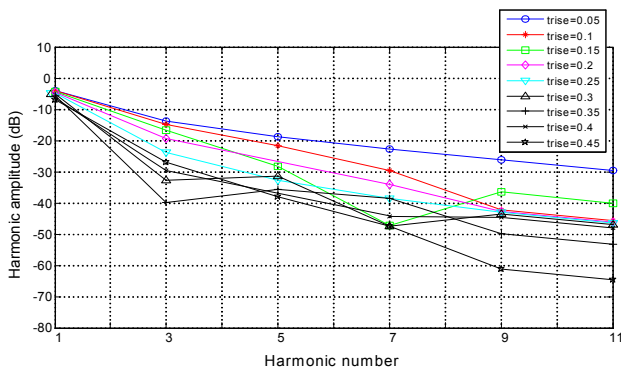


Figure 1. Harmonic EMI reduction as a Function of Slower Rise/Fall Time

Jitter Reduction with Faster Rise/Fall Time

Power supply noise can be a source of jitter for the downstream chipset. One way to reduce this jitter is to increase rise/fall time (edge rate) of the input clock. Some chipsets would require faster rise/fall time in order to reduce their sensitivity to this type of jitter. The SiT9003 provides up to 3 additional high drive strength settings for very fast rise/fall time. Refer to the [Rise/Fall Time Tables](#) to determine the proper drive strength.

High Output Load Capability

The rise/fall time of the input clock varies as a function of the actual capacitive load the clock drives. At any given drive strength, the rise/fall time becomes slower as the output load

increases. As an example, for a 3.3V SiT9003 device with default drive strength setting, the typical rise/fall time is 1.1ns for 15 pF output load. The typical rise/fall time slows down to 2.9ns when the output load increases to 45 pF. One can choose to speed up the rise/fall time to 1.9ns by then increasing the drive strength setting on the SiT9003.

The SiT9003 can support up to 60 pF or higher in maximum capacitive loads with up to 3 additional drive strength settings. Refer to the [Rise/Fall Time Tables](#) to determine the proper drive strength for the desired combination of output load vs. rise/fall time

SiT9003 Drive Strength Selection

Tables 1 through 4 define the rise/fall time for a given capacitive load and supply voltage.

1. Select the table that matches the SiT9003 nominal supply voltage (1.8V, 2.5V, 2.8V, 3.3V).
2. Select the capacitive load column that matches the application requirement (15 pF to 60 pF)
3. Under the capacitive load column, select the desired rise/fall times.
4. The left-most column represents the part number code for the corresponding drive strength.
5. Add the drive strength code to the part number for ordering purposes.

Calculating Maximum Frequency

Based on the rise and fall time data given in Tables 1 through 4, the maximum frequency the oscillator can operate with guaranteed full swing of the output voltage over temperature as follows:

$$\text{Max Frequency} = \frac{1}{5 \times \text{Trf}_{20/80}}$$

Where $\text{Trf}_{20/80}$ is the typical rise/fall time at 20% to 80% Vdd

Example 1

Calculate f_{MAX} for the following condition:

- Vdd = 3.3V (Table 1)
- Capacitive Load: 30 pF
- Desired Tr/f time = 1.6ns (rise/fall time part number code = Z)

Part number for the above example:

SiT9003AIZ14-33EB-105.12345



Drive strength code is inserted here. Default setting is “-”

Rise and Fall Time Tables

Table 1. Rise/Fall Times, VDD = 3.3V ±10%, T = 40°C to 85°C

| Drive Strength | | Unit | Load (pF) | | | |
|-------------------|------|------|-----------|-----|-----|-----|
| | | | 15 | 30 | 45 | 60 |
| U | Max. | ns | 2.4 | 3.5 | 5.5 | 6.4 |
| | Typ. | ns | 1.7 | 2.8 | 4.3 | 5.4 |
| x or “-”: Default | Max. | ns | 2.0 | 2.5 | 3.9 | 4.8 |
| | Typ. | ns | 1.1 | 2.0 | 2.9 | 3.8 |
| Z | Max. | ns | 1.2 | 2.0 | 3.0 | 3.7 |
| | Typ. | ns | 0.8 | 1.6 | 2.2 | 2.9 |
| H | Max. | ns | 0.9 | 1.7 | 2.5 | 3.0 |
| | Typ. | ns | 0.6 | 1.3 | 1.9 | 2.3 |

Table 3. Rise/Fall Times, VDD = 2.5V ±10%, T = 40°C to 85°C

| Drive Strength | | Unit | Load (pF) | | | |
|-------------------|------|------|-----------|-----|-----|-----|
| | | | 15 | 30 | 45 | 60 |
| U | Max. | ns | 2.8 | 4.6 | 6.8 | 8.3 |
| | Typ. | ns | 2.1 | 3.6 | 5.2 | 6.4 |
| X | Max. | ns | 2.3 | 3.3 | 5.0 | 5.9 |
| | Typ. | ns | 1.4 | 2.5 | 3.7 | 4.7 |
| x or “-”: Default | Max. | ns | 2.0 | 2.6 | 3.4 | 4.8 |
| | Typ. | ns | 1.1 | 1.9 | 2.8 | 3.6 |
| H | Max. | ns | 1.3 | 2.2 | 3.3 | 4.0 |
| | Typ. | ns | 0.9 | 1.6 | 2.3 | 2.9 |

Table 2. Rise/Fall Times, VDD = 2.8V ±10%, T = 40°C to 85°C

| Drive Strength | | Unit | Load (pF) | | | |
|-------------------|------|------|-----------|-----|-----|-----|
| | | | 15 | 30 | 45 | 60 |
| U | Max. | ns | 2.5 | 4.1 | 6.0 | 7.3 |
| | Typ. | ns | 2.0 | 3.2 | 4.8 | 5.9 |
| X | Max. | ns | 2.2 | 3.0 | 4.5 | 5.4 |
| | Typ. | ns | 1.3 | 2.2 | 3.3 | 4.3 |
| x or “-”: Default | Max. | ns | 2.0 | 2.4 | 3.5 | 4.3 |
| | Typ. | ns | 1.0 | 1.7 | 2.5 | 3.2 |
| H | Max. | ns | 1.2 | 1.9 | 2.9 | 3.6 |
| | Typ. | ns | 0.7 | 1.5 | 2.0 | 2.6 |

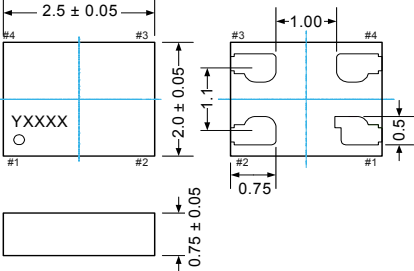
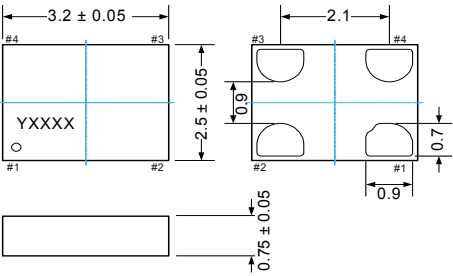
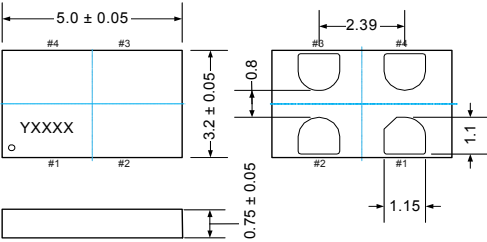
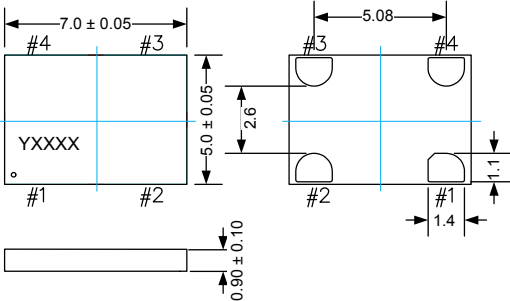
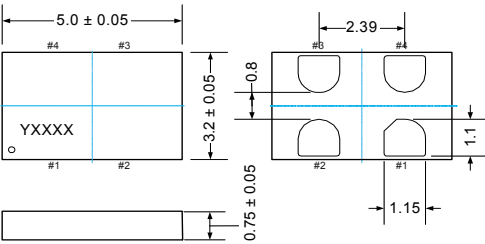
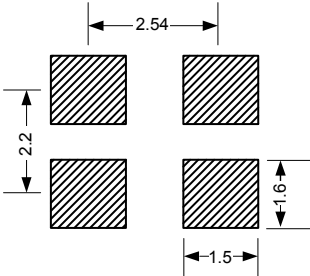
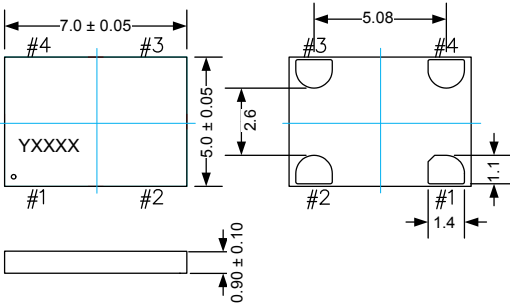
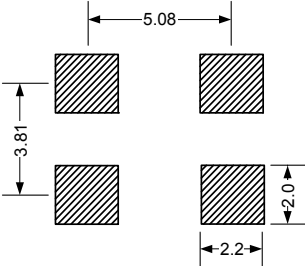
Table 4. Rise/Fall Times, VDD = 1.8V ±5%, T = 40°C to 85°C

| Drive Strength | | Unit | Load (pF) | | | |
|-------------------|------|------|-----------|-----|-----|------|
| | | | 15 | 30 | 45 | 60 |
| U | Max. | ns | 4.2 | 6.8 | 9.4 | 12.1 |
| | Typ. | ns | 3.1 | 5.1 | 7.3 | 9.2 |
| X | Max. | ns | 3.2 | 4.9 | 6.9 | 8.7 |
| | Typ. | ns | 2.3 | 3.7 | 5.3 | 6.5 |
| Z | Max. | ns | 2.7 | 3.9 | 5.5 | 6.7 |
| | Typ. | ns | 1.7 | 2.9 | 4.2 | 5.2 |
| x or “-”: Default | Max. | ns | 2.5 | 3.3 | 4.6 | 5.7 |
| | Typ. | ns | 1.4 | 2.4 | 3.4 | 4.3 |

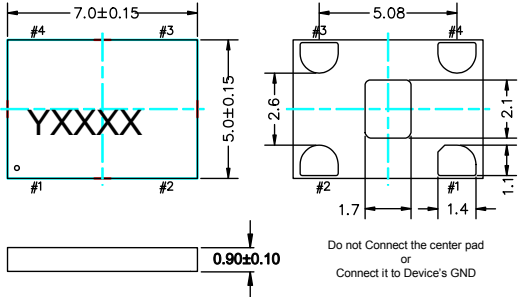
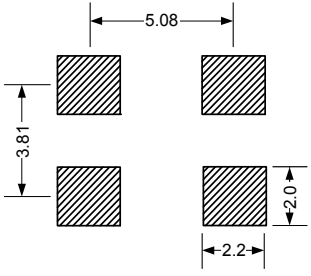
Note:

7. All rise/fall times are measured for the thresholds of 20% to 80% of VDD.

Dimensions and Patterns

| Package Size – Dimensions (Unit: mm) ^[8] | Recommended Land Pattern (Unit: mm) ^[9] |
|-------------------------------------------------------------------------------------------------------------------------------------------------------------------------------------------------------------------------------------------------------------------------------------------------------------------------------------------------------------------------------------------------------------------------------------------------------------------------------|------------------------------------------------------------------------------------------------------------------------------------------------------------------------------------|
| <p>2.5 x 2.0 x 0.75 mm</p>  <p>Top view dimensions: 2.5 ± 0.05 mm (width), 2.0 ± 0.05 mm (height). Pin locations: #1, #2, #3, #4. Pin 1 diameter: 0.75 mm. Pin 2 diameter: 0.75 ± 0.05 mm. Pin 3 diameter: 1.00 mm. Pin 4 diameter: 0.5 mm. Marking: YXXXX.</p> <p>Recommended Land Pattern: 2x2 grid of pads. Pad width: 1.9 mm, pad height: 1.5 mm. Pad-to-pad spacing: 1.1 mm.</p> |  <p>2x2 grid of pads. Pad width: 1.9 mm, pad height: 1.5 mm. Pad-to-pad spacing: 1.1 mm.</p> |
| <p>3.2 x 2.5 x 0.75 mm</p>  <p>Top view dimensions: 3.2 ± 0.05 mm (width), 2.5 ± 0.05 mm (height). Pin locations: #1, #2, #3, #4. Pin 1 diameter: 0.9 mm. Pin 2 diameter: 0.9 mm. Pin 3 diameter: 0.9 mm. Pin 4 diameter: 0.7 mm. Marking: YXXXX.</p> <p>Recommended Land Pattern: 2x2 grid of pads. Pad width: 2.2 mm, pad height: 1.9 mm. Pad-to-pad spacing: 1.4 mm.</p> |  <p>2x2 grid of pads. Pad width: 2.2 mm, pad height: 1.9 mm. Pad-to-pad spacing: 1.4 mm.</p> |
| <p>5.0 x 3.2 x 0.75 mm</p>  <p>Top view dimensions: 5.0 ± 0.05 mm (width), 3.2 ± 0.05 mm (height). Pin locations: #1, #2, #3, #4. Pin 1 diameter: 1.15 mm. Pin 2 diameter: 1.1 mm. Pin 3 diameter: 2.39 mm. Pin 4 diameter: 0.8 mm. Marking: YXXXX.</p> <p>Recommended Land Pattern: 2x2 grid of pads. Pad width: 2.54 mm, pad height: 2.2 mm. Pad-to-pad spacing: 1.5 mm.</p> |  <p>2x2 grid of pads. Pad width: 2.54 mm, pad height: 2.2 mm. Pad-to-pad spacing: 1.5 mm.</p> |
| <p>7.0 x 5.0 x 0.90 mm</p>  <p>Top view dimensions: 7.0 ± 0.05 mm (width), 5.0 ± 0.05 mm (height). Pin locations: #1, #2, #3, #4. Pin 1 diameter: 1.4 mm. Pin 2 diameter: 1.1 mm. Pin 3 diameter: 5.08 mm. Pin 4 diameter: 2.6 mm. Marking: YXXXX.</p> <p>Recommended Land Pattern: 2x2 grid of pads. Pad width: 5.08 mm, pad height: 3.81 mm. Pad-to-pad spacing: 2.2 mm.</p> |  <p>2x2 grid of pads. Pad width: 5.08 mm, pad height: 3.81 mm. Pad-to-pad spacing: 2.2 mm.</p> |

Dimensions and Patterns

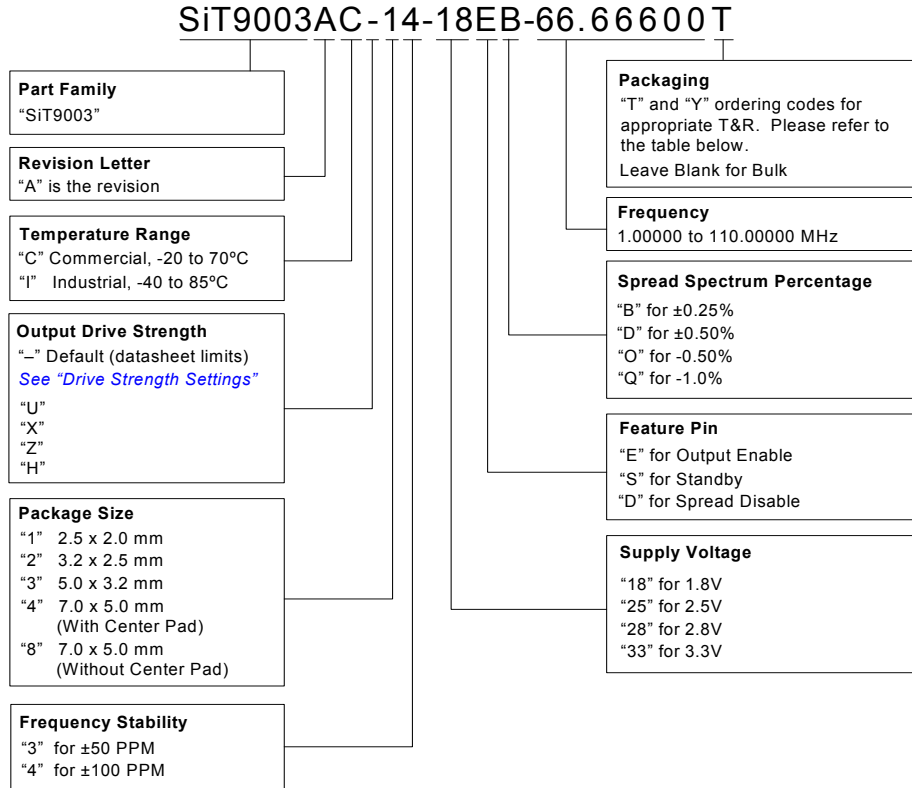
| Package Size – Dimensions (Unit: mm) ^[8] | Recommended Land Pattern (Unit: mm) ^[9] |
|-----------------------------------------------------------------------------------------------------------------------------------------------------------------------------------------------------------|------------------------------------------------------------------------------------|
| <p>7.0 x 5.0 x 0.90 mm (with Center-Pad)</p>  <p>Do not Connect the center pad or Connect it to Device's GND</p> |  |

Notes:

- 8. Top marking: Y denotes manufacturing origin and XXXX denotes manufacturing lot number. The value of "Y" will depend on the assembly location of the device.
- 9. A capacitor of value 0.1 μ F between Vdd and GND is required.

Ordering Information

The Part No. Guide is for reference only. To customize and build an exact part number, use the SiTime [Part Number Generator](#).



Available Spread Options vs. Temperature and Frequency

| Spread Percentage | Temperature Range | |
|-------------------|-------------------|-----------------|
| | C = -20 to 70°C | I = -40 to 85°C |
| B = ±0.25% | 1-110 MHz | |
| D = ±0.50% | 1-75 MHz | – |
| O = -0.50% | 1-110 MHz | |
| Q = -1.0% | 1-75 MHz | – |

Ordering Codes for Supported Tape & Reel Packing Method

| Device Size | 12 mm T&R (3ku) | 12 mm T&R (1ku) | 16 mm T&R (3ku) | 16 mm T&R (1ku) |
|--------------|-----------------|-----------------|-----------------|-----------------|
| 2.5 x 2.0 mm | T | Y | – | – |
| 3.2 x 2.5 mm | T | Y | – | – |
| 5.0 x 3.2 mm | T | Y | – | – |
| 7.0 x 5.0 mm | – | – | T | Y |

Revision History

| Version | Release Date | Change Summary |
|---------|--------------|------------------------------------------------------------------------------------------------------------|
| 1.62 | 8/20/13 | Added drive strength settings |
| 1.7 | 11/18/13 | Revised rise and fall time tables, added 7050 package diagram with center pad, add thermal considerations. |

© SiTime Corporation 2013. The information contained herein is subject to change at any time without notice. SiTime assumes no responsibility or liability for any loss, damage or defect of a Product which is caused in whole or in part by (i) use of any circuitry other than circuitry embodied in a SiTime product, (ii) misuse or abuse including static discharge, neglect or accident, (iii) unauthorized modification or repairs which have been soldered or altered during assembly and are not capable of being tested by SiTime under its normal test conditions, or (iv) improper installation, storage, handling, warehousing or transportation, or (v) being subjected to unusual physical, thermal, or electrical stress.

Disclaimer: SiTime makes no warranty of any kind, express or implied, with regard to this material, and specifically disclaims any and all express or implied warranties, either in fact or by operation of law, statutory or otherwise, including the implied warranties of merchantability and fitness for use or a particular purpose, and any implied warranty arising from course of dealing or usage of trade, as well as any common-law duties relating to accuracy or lack of negligence, with respect to this material, any SiTime product and any product documentation. Products sold by SiTime are not suitable or intended to be used in a life support application or component, to operate nuclear facilities, or in other mission critical applications where human life may be involved or at stake. All sales are made conditioned upon compliance with the critical uses policy set forth below.

CRITICAL USE EXCLUSION POLICY

BUYER AGREES NOT TO USE SITIME'S PRODUCTS FOR ANY APPLICATION OR IN ANY COMPONENTS USED IN LIFE SUPPORT DEVICES OR TO OPERATE NUCLEAR FACILITIES OR FOR USE IN OTHER MISSION-CRITICAL APPLICATIONS OR COMPONENTS WHERE HUMAN LIFE OR PROPERTY MAY BE AT STAKE.

SiTime owns all rights, title and interest to the intellectual property related to SiTime's products, including any software, firmware, copyright, patent, or trademark. The sale of SiTime products does not convey or imply any license under patent or other rights. SiTime retains the copyright and trademark rights in all documents, catalogs and plans supplied pursuant to or ancillary to the sale of products or services by SiTime. Unless otherwise agreed to in writing by SiTime, any reproduction, modification, translation, compilation, or representation of this material shall be strictly prohibited.

X-ON Electronics

Largest Supplier of Electrical and Electronic Components

Click to view similar products for [Standard Clock Oscillators](#) category:

Click to view products by [SiTime](#) manufacturer:

Other Similar products are found below :

[EP1400SJTSC-125.000M](#) [601137](#) [601252](#) [CSX750FBC-24.000M-UT](#) [CSX750FBC-33.333M-UT](#) [CSX750FCC-3.6864M-UT](#) [F335-12](#) [F335-25](#) [DSC506-03FM2](#) [ASA-20.000MHZ-L-T](#) [ASA-25.000MHZ-L-T](#) [ASA-27.000MHZ-L-T](#) [ASV-20.000MHZ-LR-T](#) [ECS-2018-160-BN-TR](#) [EL13C7-H2F-125.00M](#) [MXO45HS-2C-66.6666MHZ](#) [SiT1602BI-22-33E-50.000000E](#) [SIT8003AC-11-33S-2.04800X](#) [SiT8256AC-23-33E-156.250000X](#) [SIT8918AA-11-33S-50.000000G](#) [SM4420TEV-40.0M-T1K](#) [SMA4306-TL-H](#) [F335-24](#) [F335-40](#) [F335-50](#) [F535L-10](#) [F535L-12](#) [F535L-16](#) [F535L-27](#) [F535L-48](#) [PE7744DW-100.0M](#) [CSX750FBC-20.000M-UT](#) [CSX-750FBC33333000T](#) [CSX750FBC-4.000M-UT](#) [CSX750FBC-7.3728M-UT](#) [CSX750FBC-8.000M-UT](#) [CSX-750FCC14745600T](#) [CSX750FCC-16.000M-UT](#) [CSX-750FCC40000000T](#) [CSX750FCC-4.000M-UT](#) [ASA-22.000MHZ-L-T](#) [ASA2-26.000MHZ-L-T](#) [ASA-40.000MHZ-L-T](#) [ASA-48.000MHZ-L-T](#) [ASA-60.000MHZ-L-T](#) [ASF1-3.686MHZ-N-K-S](#) [XO37CTECNA10M](#) [XO57CRECNA16M](#) [XO57CTECNA3M6864](#) [XO57CTECNA4M9152](#)