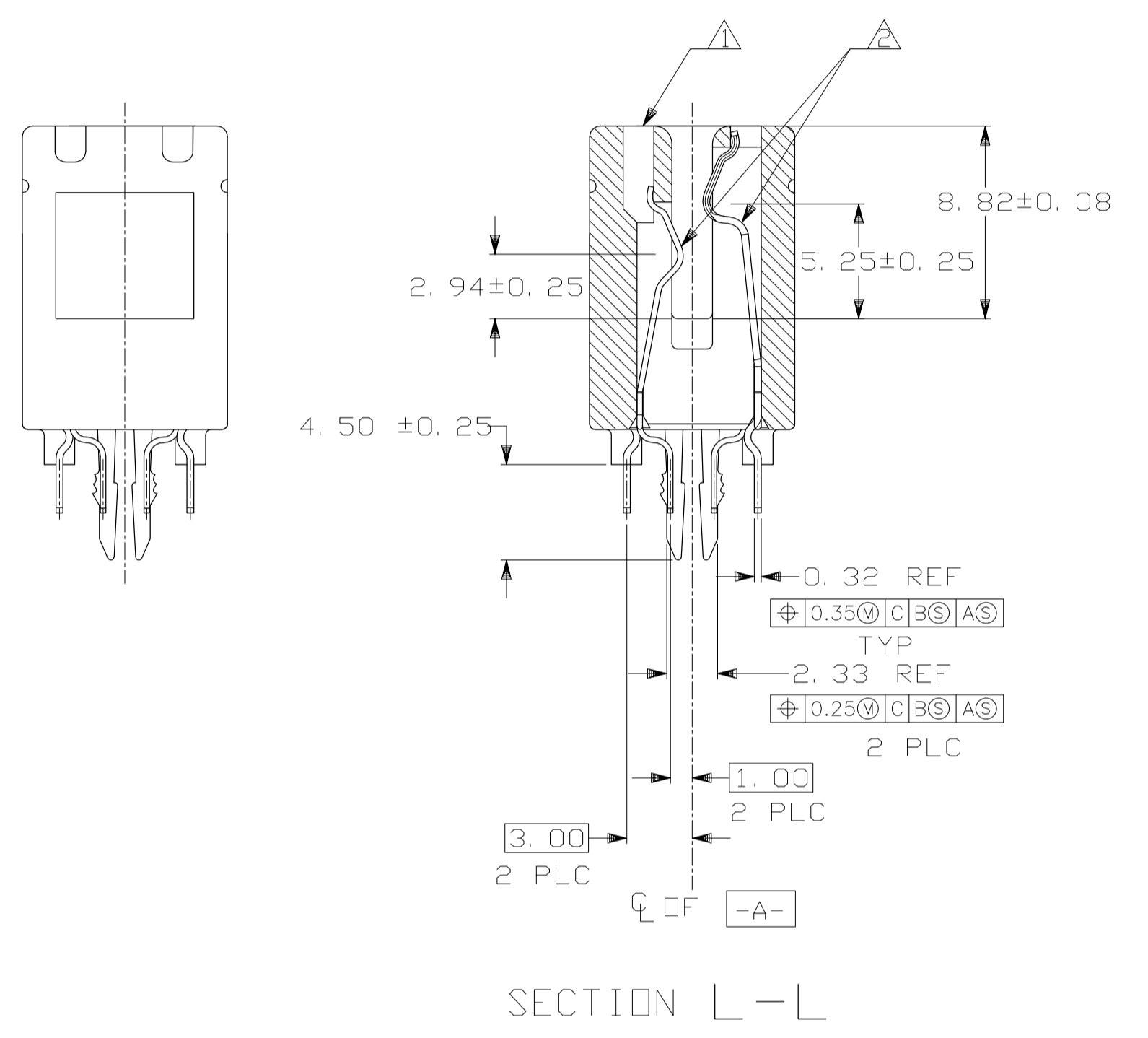
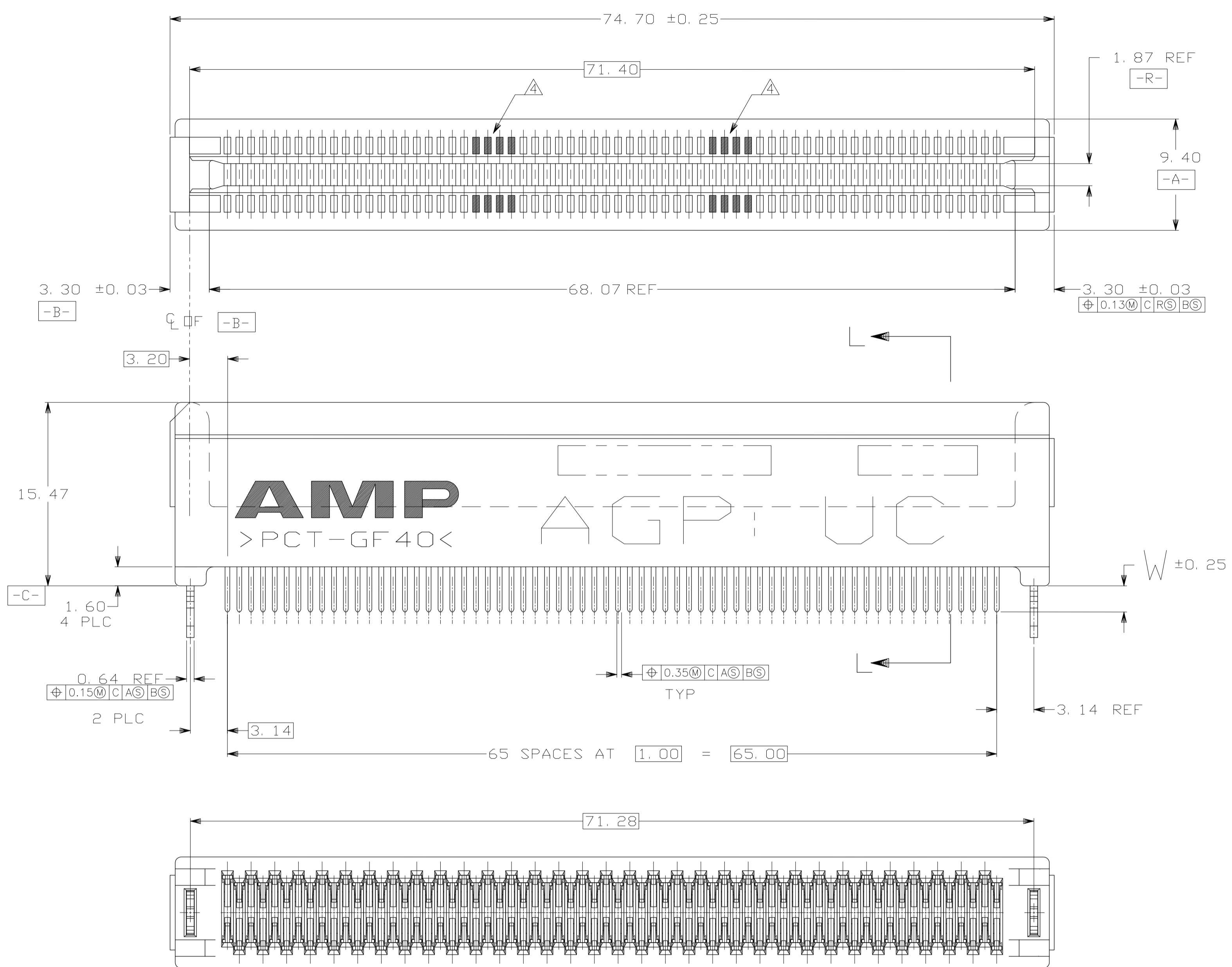
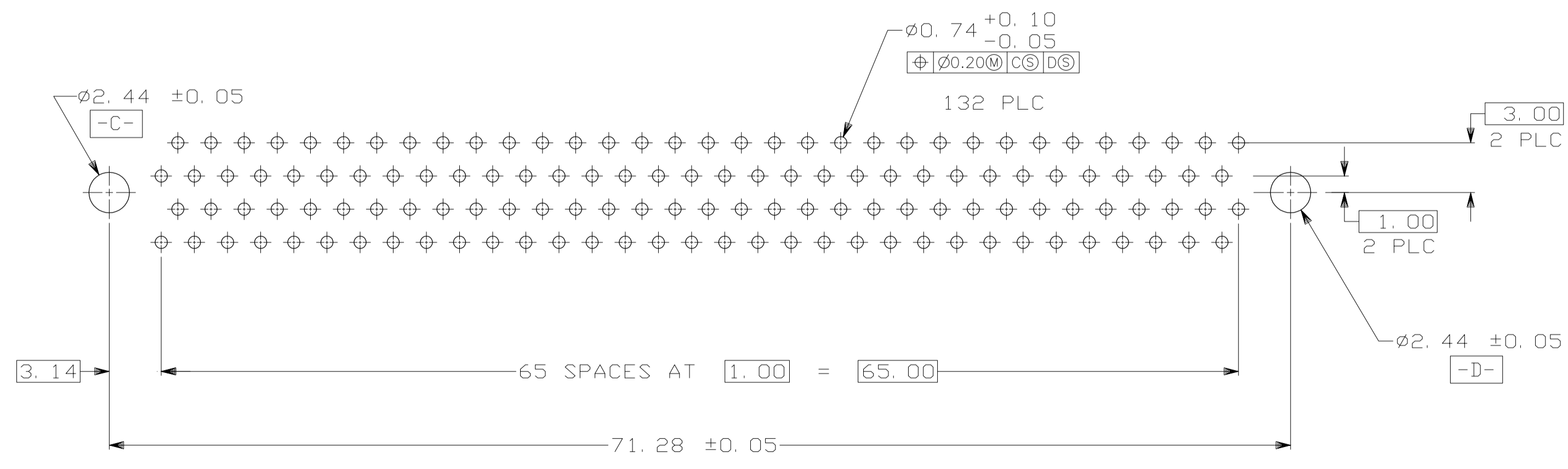


LOC		DIST		REVISIONS			
P	LTR	DESCRIPTION	DATE	DN	APVD		
A		REVISED ECR-09-010116	08AMY09	AZ	SY		



- △ MATERIAL: HOUSING, THERMOPLASTIC, COLOR: BROWN.
 CONTACTS, PHOSPHOR BRONZE.
 HOLD-DOWNS, BRASS.
- △ FINISH: CONTACTS, 1.27 MIN. MICROMETERS NICKEL ALL OVER,
 0.38 MIN. MICROMETERS GOLD OVER NICKEL IN CONTACT AREA,
 2.54 MIN MICROMETERS TIN OVER NICKEL ON SOLDER TAILS.
- △ REFER TO INTEL ACCELERATED GRAPHICS PORT INTERFACE SPECIFICATION
 FOR RECOMMENDED MATING PAD PATTERNS FOR AGP 1X, 2X AND 4X BOARDS.
- △ SHADED CONTACT LOCATIONS ARE AT RISK OF DAMAGE DURING MATING AND
 UNMATING WITH AGP-1X AND AGP-2X/4X CIRCUITS.
- △ FINISH: CONTACTS, 1.27 MIN. MICROMETERS NICKEL ALL OVER,
 0.0254-0.0762 MICROMETERS GOLD OVER NICKEL IN CONTACT AREA.
 2.54 MIN. MICROMETERS TIN OVER NICKEL ON SOLDER AREA.



RECOMMENDED CONNECTOR MOUNTING HOLE PATTERN
 (CONNECTOR SIDE SHOWN)

△	3.18	5145376-6
△	2.54	5145376-5
△	3.18	5145376-3
△	2.54	5145376-2
△	2.16	5145376-1
PLATING	W	PART NO

THIS DRAWING IS A CONTROLLED DOCUMENT.		DN GAVIN ZHANG 23MAR05	Tyco Electronics Corporation Shanghai, P.R.China, 200233
DIMENSIONS: mm		CHK STEVEN YAO 23MAR05	
TOLERANCES UNLESS OTHERWISE SPECIFIED:		APVD I. ENOMOTO 23MAR05	NAME ASSEMBLY, 132 POSITION 1mm, CARD EDGE CONNECTOR
0 PLC ± - 1 PLC ± - 2 PLC ± 0.13 3 PLC ± - 4 PLC ± - ANGLES ± °		APPLICATION SPEC	SIZE A1
MATERIAL △		WEIGHT	CAGE CODE 00779
FINISH △△		CUSTOMER DRAWING	DRAWING NO 5145376
		SCALE 4:1	RESTRICTED TO -
		SHEET 1 of 1	REV A

X-ON Electronics

Largest Supplier of Electrical and Electronic Components

Click to view similar products for [Standard Card Edge Connectors](#) category:

Click to view products by [TE Connectivity](#) manufacturer:

Other Similar products are found below :

[6565204-6](#) [PKC-156](#) [1437274-4](#) [147889-1](#) [1489165-4](#) [EBT156-12B1X](#) [EBT15622B2X](#) [EBT156-22R2W](#) [1-582587-1](#) [1-582589-1](#) [2-6437275-9](#) [284-0102-12100](#) [306022901000000](#) [307-012-502-202](#) [307-024-526-201](#) [307-056-520-300](#) [307-080-526-208](#) [245-062-520-350](#) [287-0032-12101](#) [306-010-500-112](#) [306-028-525-102](#) [306-240-318](#) [307-036-502-202](#) [307-036-521-301](#) [307-072-526-202](#) [345-060-559-303](#) [368-004-520-201](#) [392-008-559-201](#) [534671-1](#) [5-530501-5](#) [341-240-317](#) [345-029-520-300](#) [345-030-500-301](#) [345-044-500-300](#) [345-220-058](#) [346-240-318](#) [357-030-526-201](#) [387-012-523-300](#) [395-044-520-300](#) [395-100-524-300](#) [50-12B-10](#) [50-6SN-5](#) [09-07-2032](#) [10035388-106LF](#) [10035388-802LF](#) [10122859-009LF](#) [10127905-B04B24BLF](#) [530555-1](#) [EBT156-15A2X](#) [2007209-1](#)