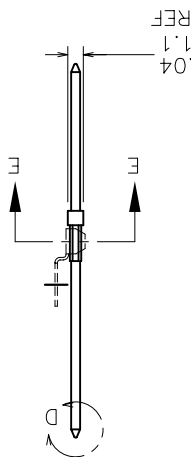
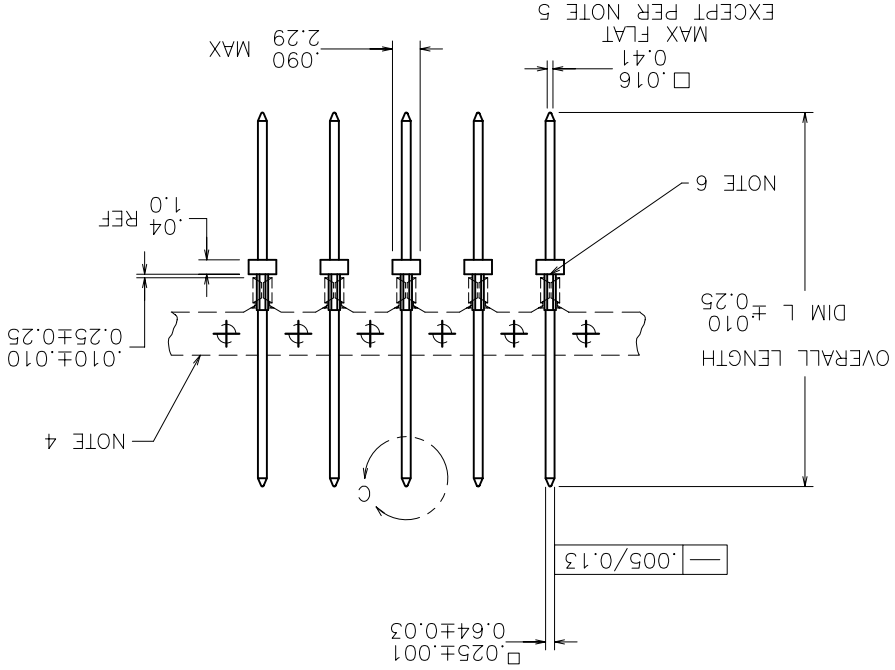
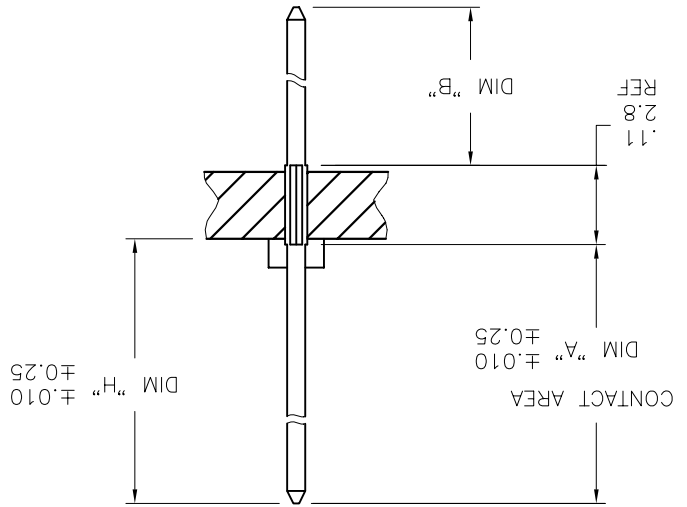




PRODUCT NUMBER  
SEE TABLE



SECTION THRU PC BOARD  
SCALE 4:1



mat'l code	date	tolerance unless otherwise specified	projection	product family	product family
SEE NOTE 1	ASME Y14.5	ASME Y14.5	ASME Y14.5	PIN PRODUCTS	PIN PRODUCTS
titl	ecn no	dr	date	tolerance unless otherwise specified	product family
A	V51002	MDF	1995-08-17	angles	XX*01/X*3
B	V51067	MDF	1995-10-03	angles	XXX*005/XX*13
C	V61411	EPK	1996-11-14	0 $\pm$ .2	XXXX*0020/XXX*051
D	V92858	DLW	1999-08-30	DP	M, FETROW
E	V06-0682	JRV	2006-07-18	ENGT	L, FVE
F	V08-0354	HTB	2008-08-20	CHP	L, FVE
Sheet	revision	F	F	F	F
1	2	3	3	3	3
Sheet	revision	F	F	F	F
1	2	3	3	3	3
index	revision	F	F	F	F
1	2	3	3	3	3
Sheet	revision	F	F	F	F
1	2	3	3	3	3
index	revision	F	F	F	F
1	2	3	3	3	3
Sheet	revision	F	F	F	F
1	2	3	3	3	3
index	revision	F	F	F	F
1	2	3	3	3	3
Sheet	revision	F	F	F	F
1	2	3	3	3	3
index	revision	F	F	F	F
1	2	3	3	3	3
Sheet	revision	F	F	F	F
1	2	3	3	3	3
index	revision	F	F	F	F
1	2	3	3	3	3
Sheet	revision	F	F	F	F
1	2	3	3	3	3
index	revision	F	F	F	F
1	2	3	3	3	3
Sheet	revision	F	F	F	F
1	2	3	3	3	3
index	revision	F	F	F	F
1	2	3	3	3	3
Sheet	revision	F	F	F	F
1	2	3	3	3	3
index	revision	F	F	F	F
1	2	3	3	3	3
Sheet	revision	F	F	F	F
1	2	3	3	3	3
index	revision	F	F	F	F
1	2	3	3	3	3
Sheet	revision	F	F	F	F
1	2	3	3	3	3
index	revision	F	F	F	F
1	2	3	3	3	3
Sheet	revision	F	F	F	F
1	2	3	3	3	3
index	revision	F	F	F	F
1	2	3	3	3	3
Sheet	revision	F	F	F	F
1	2	3	3	3	3
index	revision	F	F	F	F
1	2	3	3	3	3
Sheet	revision	F	F	F	F
1	2	3	3	3	3
index	revision	F	F	F	F
1	2	3	3	3	3
Sheet	revision	F	F	F	F
1	2	3	3	3	3
index	revision	F	F	F	F
1	2	3	3	3	3
Sheet	revision	F	F	F	F
1	2	3	3	3	3
index	revision	F	F	F	F
1	2	3	3	3	3
Sheet	revision	F	F	F	F
1	2	3	3	3	3
index	revision	F	F	F	F
1	2	3	3	3	3
Sheet	revision	F	F	F	F
1	2	3	3	3	3
index	revision	F	F	F	F
1	2	3	3	3	3
Sheet	revision	F	F	F	F
1	2	3	3	3	3
index	revision	F	F	F	F
1	2	3	3	3	3
Sheet	revision	F	F	F	F
1	2	3	3	3	3
index	revision	F	F	F	F
1	2	3	3	3	3
Sheet	revision	F	F	F	F
1	2	3	3	3	3
index	revision	F	F	F	F
1	2	3	3	3	3
Sheet	revision	F	F	F	F
1	2	3	3	3	3
index	revision	F	F	F	F
1	2	3	3	3	3
Sheet	revision	F	F	F	F
1	2	3	3	3	3
index	revision	F	F	F	F
1	2	3	3	3	3
Sheet	revision	F	F	F	F
1	2	3	3	3	3
index	revision	F	F	F	F
1	2	3	3	3	3
Sheet	revision	F	F	F	F
1	2	3	3	3	3
index	revision	F	F	F	F
1	2	3	3	3	3
Sheet	revision	F	F	F	F
1	2	3	3	3	3
index	revision	F	F	F	F
1	2	3	3	3	3
Sheet	revision	F	F	F	F
1	2	3	3	3	3
index	revision	F	F	F	F
1	2	3	3	3	3
Sheet	revision	F	F	F	F
1	2	3	3	3	3
index	revision	F	F	F	F
1	2	3	3	3	3
Sheet	revision	F	F	F	F
1	2	3	3	3	3
index	revision	F	F	F	F
1	2	3	3	3	3
Sheet	revision	F	F	F	F
1	2	3	3	3	3
index	revision	F	F	F	F
1	2	3	3	3	3
Sheet	revision	F	F	F	F
1	2	3	3	3	3
index	revision	F	F	F	F
1	2	3	3	3	3
Sheet	revision	F	F	F	F
1	2	3	3	3	3
index	revision	F	F	F	F
1	2	3	3	3	3
Sheet	revision	F	F	F	F
1	2	3	3	3	3
index	revision	F	F	F	F
1	2	3	3	3	3
Sheet	revision	F	F	F	F
1	2	3	3	3	3
index	revision	F	F	F	F
1	2	3	3	3	3
Sheet	revision	F	F	F	F
1	2	3	3	3	3
index	revision	F	F	F	F
1	2	3	3	3	3
Sheet	revision	F	F	F	F
1	2	3	3	3	3
index	revision	F	F	F	F
1	2	3	3	3	3
Sheet	revision	F	F	F	F
1	2	3	3	3	3
index	revision	F	F	F	F
1	2	3	3	3	3
Sheet	revision	F	F	F	F
1	2	3	3	3	3
index	revision	F	F	F	F
1	2	3	3	3	3
Sheet	revision	F	F	F	F
1	2	3	3	3	3
index	revision	F	F	F	F
1	2	3	3	3	3
Sheet	revision	F	F	F	F
1	2	3	3	3	3
index	revision	F	F	F	F
1	2	3	3	3	3
Sheet	revision	F	F	F	F
1	2	3	3	3	3
index	revision	F	F	F	F
1	2	3	3	3	3
Sheet	revision	F	F	F	F
1	2	3	3	3	3
index	revision	F	F	F	F
1	2	3	3	3	3
Sheet	revision	F	F	F	F
1	2	3	3	3	3
index	revision	F	F	F	F
1	2	3	3	3	3
Sheet	revision	F	F	F	F
1	2	3	3	3	3
index	revision	F	F	F	F
1	2	3	3	3	3
Sheet	revision	F	F	F	F
1	2	3	3	3	3
index	revision	F	F	F	F
1	2	3	3	3	3
Sheet	revision	F	F	F	F
1	2	3	3	3	3
index	revision	F	F	F	F
1	2	3	3	3	3
Sheet	revision	F	F	F	F
1	2	3	3	3	3
index	revision	F	F	F	F
1	2	3	3	3	3
Sheet	revision	F	F	F	F
1	2	3	3	3	3
index	revision	F	F	F	F
1	2	3	3	3	3
Sheet	revision	F	F	F	F
1	2	3	3	3	3
index	revision	F	F	F	F
1	2	3	3	3	3
Sheet	revision	F	F	F	F
1	2	3	3	3	3
index	revision	F	F	F	F
1	2	3	3	3	3
Sheet	revision	F	F	F	F
1	2	3	3	3	3
index	revision	F	F	F	F
1	2	3	3	3	3
Sheet	revision	F	F	F	F
1	2	3	3	3	3
index	revision	F	F	F	F
1	2	3	3	3	3
Sheet	revision	F	F	F	F
1	2	3	3	3	3
index	revision	F	F	F	F
1	2	3	3	3	3
Sheet	revision	F	F	F	F
1	2	3	3	3	3
index	revision	F	F	F	F
1	2	3	3	3	3
Sheet	revision	F	F	F	F
1	2	3	3	3	3
index	revision	F	F	F	F
1	2	3	3	3	3
Sheet	revision	F	F	F	F
1	2	3	3	3	3
index	revision	F	F	F	F
1	2	3	3	3	3
Sheet	revision	F	F	F	F
1	2	3	3	3	3
index	revision	F	F	F	F
1	2	3	3	3	3
Sheet	revision	F	F	F	F
1	2	3	3	3	3
index	revision	F	F	F	F
1	2	3	3	3	3
Sheet	revision	F	F	F	F
1	2	3	3		



PRODUCT NUMBER	CONTACT AREA	TERMINATION AREA	OVERALL DIM L FOR DIM H FOR DIM H FOR	DIM L THK BOARD	DIM H FOR DIM H FOR THK BOARD
71258-010	.140/3.56	.100/2.54	.350/8.89	.318/8.08	.302/7.67
71258-020	.240/6.10	.040/1.02	.390/9.91	.148/3.76	.132/3.35
71258-030	.270/6.86	.040/1.02	.420/10.67	.248/6.30	.232/5.89
71258-040	.290/7.37	.040/1.02	.440/11.18	.278/7.06	.262/6.66
71258-050	.310/7.87	.040/1.02	.460/11.68	.298/7.57	.282/7.16
71258-060	.310/7.87	.090/2.29	.510/12.95	.318/8.08	.302/7.67
71258-070	.310/7.87	.120/3.05	.540/13.72	.318/8.08	.302/7.67
71258-080	.310/7.87	.170/4.32	.590/14.99	.318/8.08	.302/7.67
71258-090	.310/7.87	.270/6.86	.690/17.53	.318/8.08	.302/7.67
71258-100	.330/8.38	.040/1.02	.480/12.19	.338/8.59	.322/8.18
71258-110	.360/9.14	.040/1.02	.510/12.95	.368/9.35	.352/8.94
71258-120	.360/9.14	.310/7.87	.780/19.81	.368/9.35	.352/8.94
71258-130	.390/9.91	.040/1.02	.540/13.72	.398/10.11	.382/9.70
71258-140	.430/10.92	.040/1.02	.580/14.73	.438/11.25	.322/8.18
71258-150	.450/11.43	.040/1.02	.600/15.24	.458/11.63	.442/11.23
71258-160	.470/11.94	.460/11.68	1.040/26.42	.478/12.14	.462/11.74
71258-170	.485/12.32	.105/2.67	.700/17.78	.493/12.52	.477/12.12
71258-180	.567/14.40	.456/11.58	.933/23.70	.575/14.61	.559/14.20
71258-190	.585/14.86	.105/2.67	.800/20.32	.593/15.06	.577/14.60
71258-200	.590/14.99	.040/1.02	.740/18.80	.598/15.19	.582/14.78
71258-210	.705/17.91	.040/1.02	.855/21.72	.713/18.11	.697/17.70

NOTES:

- ① PIN MAT'L: 3/4 HARD PHOS BRONZE  
PLATING: 30µ [0.76µ] MIN Au OVER 50µ [1.27µ] MIN Ni.
- ② BURNISH MARKS ON PIN PERMITTED.  
BURR: .003 [0:08] MAX, BULGE: .0005 [0:013] MAX TYP.
- 3. SEE PRODUCT SPECIFICATION BUS-12-064 FOR P.C. BOARD HOLE DIAMETER AND P.C. BOARD HOLE PLATING INFORMATION.
- ④ FOR MANUFACTURING PURPOSES ONLY.
- ⑤ DOUBLE ENDED PINS AS MARKED MUST MEET SPECS IN VIEWS C AND D ON BOTH ENDS. OTHERS TO HAVE .016 [0:41] MAX DIM ON BOTTOM END OF PIN.
- ⑥ SOLDER MAY BULGE IN THIS AREA BUT WILL NOT TOUCH FERRULE.  
SOLDER VOLUME: 82.5 MIN PER PIN  
(.068 X .074 X .021 ) BEFORE FORMING.
- 7. "A" DIM. IS TO FEATURE ON PIN.  
"H" DIM. IS ABOVE BOARD.  
"B" DIM. IS TO FEATURE ON PIN.

mat'l code	SEE NOTE 1	ecn no	dr	date	tolerances unless otherwise specified	surface ASME Y14.5	projection ASME Y14.5	product family	PIN PRODUCTS	title	BERG PIN® .200" [5.08] ec WITH SOLDER WASHER	dwg no	71258	sheet 3 of 3 size	A4	type	CUSTOMER DRAWING
inches	XX.XX/X.X	angles	0° ± 2'	0° ± 2'	XXXXX.0020/XXXX.051	scale	1:1	product family	PIN PRODUCTS	title	BERG PIN® .200" [5.08] ec WITH SOLDER WASHER	dwg no	71258	sheet 3 of 3 size	A4	type	CUSTOMER DRAWING
inches	XX.XX/X.X	angles	0° ± 2'	0° ± 2'	XXXXX.0020/XXXX.051	scale	1:1	product family	PIN PRODUCTS	title	BERG PIN® .200" [5.08] ec WITH SOLDER WASHER	dwg no	71258	sheet 3 of 3 size	A4	type	CUSTOMER DRAWING
inches	XX.XX/X.X	angles	0° ± 2'	0° ± 2'	XXXXX.0020/XXXX.051	scale	1:1	product family	PIN PRODUCTS	title	BERG PIN® .200" [5.08] ec WITH SOLDER WASHER	dwg no	71258	sheet 3 of 3 size	A4	type	CUSTOMER DRAWING



## X-ON Electronics

Largest Supplier of Electrical and Electronic Components

*Click to view similar products for [Headers & Wire Housings](#) category:*

*Click to view products by [Amphenol](#) manufacturer:*

Other Similar products are found below :

[95000-104TRLF](#) [10135584-644402LF](#) [DF62W-EP2022PCA](#) [95000-106TRLF](#) [DF62W-2022SCA](#) [DF62W-EP2022PC](#) [2203348](#) [DF62W-2022SC](#) [1084018](#) [1029039](#) [1084017](#) [802-10-012-10-002000](#) [1112640](#) [1112639](#) [891-007-9SS-BST1T](#) [000-34000](#) [0008550134](#) [0009482033](#) [0009507031](#) [57102-F02-18ULF](#) [57102-S06-03LF](#) [57202-S52-04LF](#) [PCN6-15S-2.5E](#) [0039019024](#) [58102-G61-06LF](#) [582553-1](#) [0009485154](#) [0009508121](#) [009176003701906](#) [0022285053](#) [0050291907](#) [018731A](#) [LY20-4P-DT1-P1E-BR](#) [02.125.8002.8](#) [60101931](#) [60598-1 \(Cut Strip\)](#) [M1625-3R/100](#) [61062-3](#) [61082-181009](#) [CSU011177004](#) [636-1427](#) [638009-1](#) [641938-9](#) [641991-4](#) [644168-1](#) [644827-2](#) [647662-1](#) [65039-019ELF](#) [65692-001LF](#) [65781-018](#)