



# ±15kV ESD-Protected, 3.3V Quad RS-422 Transmitters

**MAX3030E-MAX3033E**

## General Description

The MAX3030E–MAX3033E family of quad RS-422 transmitters send digital data transmission signals over twisted-pair balanced lines in accordance with TIA/EIA-422-B and ITU-T V.11 standards. All transmitter outputs are protected to ±15kV using the Human Body Model. The MAX3030E–MAX3033E are available with either a 2Mbps or 20Mbps guaranteed baud rate. The 2Mbps baud rate transmitters feature slew-rate-limiting to minimize EMI and reduce reflections caused by improperly terminated cables.

The 20Mbps baud rate transmitters feature low-static current consumption ( $I_{CC} < 100\mu A$ ), making them ideal for battery-powered and power-conscious applications. They have a maximum propagation delay of 16ns and a part-to-part skew less than 5ns, making these devices ideal for driving parallel data. The MAX3030E–MAX3033E feature hot-swap capability that eliminates false transitions on the data cable during power-up or hot insertion.

The MAX3030E–MAX3033E are low-power, ESD-protected, pin-compatible upgrades to the industry-standard 26LS31 and SN75174. They are available in space-saving 16-pin TSSOP and SO packages.

## Features

- ◆ Meet TIA/EIA-422-B (RS-422) and ITU-T V.11 Recommendation
- ◆ ±15kV ESD Protection on Tx Outputs
- ◆ Hot-Swap Functionality
- ◆ Guaranteed 20Mbps Data Rate (MAX3030E, MAX3032E)
- ◆ Slew-Rate-Controlled 2Mbps Data Rate (MAX3031E, MAX3033E)
- ◆ Available in 16-Pin TSSOP and Narrow SO Packages
- ◆ Low-Power Design ( $< 330\mu W$ ,  $V_{CC} = 3.3V$  Static)
- ◆ +3.3V Operation
- ◆ Industry-Standard Pinout
- ◆ Thermal Shutdown

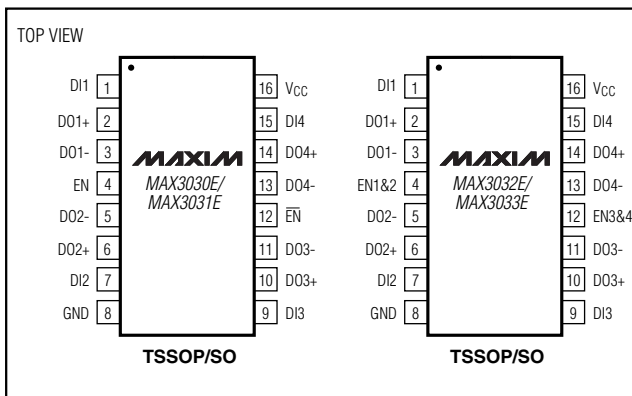
## Applications

- Telecom Backplanes
- V.11/X.21 Interface
- Industrial PLCs
- Motor Control

## Ordering Information

| PART               | TEMP RANGE     | PIN-PACKAGE    |
|--------------------|----------------|----------------|
| <b>MAX3030ECSE</b> | 0°C to +70°C   | 16 SO (Narrow) |
| MAX3030ECUE        | 0°C to +70°C   | 16 TSSOP       |
| MAX3030EESE        | -40°C to +85°C | 16 SO (Narrow) |
| MAX3030EEUE        | -40°C to +85°C | 16 TSSOP       |
| <b>MAX3031ECSE</b> | 0°C to +70°C   | 16 SO (Narrow) |
| MAX3031ECUE        | 0°C to +70°C   | 16 TSSOP       |
| MAX3031EESE        | -40°C to +85°C | 16 SO (Narrow) |
| MAX3031EEUE        | -40°C to +85°C | 16 TSSOP       |
| <b>MAX3032ECSE</b> | 0°C to +70°C   | 16 SO (Narrow) |
| MAX3032ECUE        | 0°C to +70°C   | 16 TSSOP       |
| MAX3032EESE        | -40°C to +85°C | 16 SO (Narrow) |
| MAX3032EEUE        | -40°C to +85°C | 16 TSSOP       |
| <b>MAX3033ECSE</b> | 0°C to +70°C   | 16 SO (Narrow) |
| MAX3033ECUE        | 0°C to +70°C   | 16 TSSOP       |
| MAX3033EESE        | -40°C to +85°C | 16 SO (Narrow) |
| MAX3033EEUE        | -40°C to +85°C | 16 TSSOP       |

## Pin Configurations



# ±15kV ESD-Protected, 3.3V Quad RS-422 Transmitters

## ABSOLUTE MAXIMUM RATINGS

(All Voltages Are Referenced to Device Ground, Unless Otherwise Noted)

|  |                                   |
|--|-----------------------------------|
| V <sub>CC</sub> .....  | +6V                               |
| EN1&2, EN3&4, EN, $\overline{\text{EN}}$ .....                               | -0.3V to +6V                      |
| DI .....   | -0.3V to +6V                      |
| DO <sub>+</sub> , DO <sub>-</sub> (normal condition) .....                   | -0.3V to (V <sub>CC</sub> + 0.3V) |
| DO <sub>+</sub> , DO <sub>-</sub> (power-off or three-state condition) ..... | -0.3V to +6V                      |
| Driver Output Current per Pin .....  | ±150mA                            |

Continuous Power Dissipation (T<sub>A</sub> = +70°C)

16-Pin SO (derate 8.70mW/°C above +70°C).....696mW

16-Pin TSSOP (derate 9.40mW/°C above +70°C) .....755mW

Operating Temperature Ranges

MAX303\_EC\_ .....

MAX303\_EE\_ .....

Junction Temperature .....

Storage Temperature Range .....

Lead Temperature (soldering, 10s) .....

Stresses beyond those listed under "Absolute Maximum Ratings" may cause permanent damage to the device. These are stress ratings only, and functional operation of the device at these or any other conditions beyond those indicated in the operational sections of the specifications is not implied. Exposure to absolute maximum rating conditions for extended periods may affect device reliability.

## DC ELECTRICAL CHARACTERISTICS

(3V ≤ V<sub>CC</sub> ≤ 3.6V, T<sub>A</sub> = T<sub>MIN</sub> to T<sub>MAX</sub>, unless otherwise noted. Typical values are at V<sub>CC</sub> = +3.3V and T<sub>A</sub> = +25°C.) (Note 1)

| PARAMETER  | SYMBOL               | CONDITIONS   | MIN  | TYP | MAX  | UNITS |
|--|----------------------|--|------|-----|------|-------|
| <b>DRIVER OUTPUT: DO<sub>+</sub>, DO<sub>-</sub></b>                       |                      |  |      |     |      |       |
| Differential Driver Output   | V <sub>OD1</sub>     | R <sub>L</sub> = 100Ω, Figure 1  | 2.0  |     |      | V     |
|  | V <sub>OD2</sub>     | R <sub>L</sub> = ∞, Figure 1   |      |     | 3.6  |       |
|  | V <sub>OD3</sub>     | R <sub>L</sub> = 3.9kΩ (for compliance with V.11), Figure 1              |      |     | 3.6  |       |
| Change in Differential Output Voltage                                      | ΔV <sub>OD</sub>     | R <sub>L</sub> = 100Ω (Note 2)   | -0.4 |     | +0.4 | V     |
| Driver Common-Mode Output Voltage  | V <sub>OC</sub>      | R <sub>L</sub> = 100Ω, Figure 1  |      |     | 3    | V     |
| Change in Common-Mode Voltage  | ΔV <sub>OC</sub>     | R <sub>L</sub> = 100Ω (Note 2)   | -0.4 |     | +0.4 | V     |
| Three-State Leakage Current  | I <sub>OZ</sub>      | V <sub>OUT</sub> = V <sub>CC</sub> or GND, driver disabled               |      |     | ±10  | μA    |
| Output Leakage Current   | I <sub>OFF</sub>     | V <sub>CC</sub> = 0V, V <sub>OUT</sub> = 3V or 6V                        |      |     | 20   | μA    |
| Driver Output Short-Circuit Current  | I <sub>SC</sub>      | V <sub>OUT</sub> = 0V, V <sub>IN</sub> = V <sub>CC</sub> or GND (Note 3) | -150 |     |      | mA    |
| <b>INPUTS: EN, <math>\overline{\text{EN}}</math>, EN1&amp;2, EN3&amp;4</b> |                      |  |      |     |      |       |
| Input High Voltage   | V <sub>IH</sub>      |  | 2.0  |     |      | V     |
| Input Low Voltage  | V <sub>IL</sub>      |  |      |     | 0.4  | V     |
| Input Current  | I <sub>LEAK</sub>    |  |      |     | ±2   | μA    |
| Hot-Swap Driver Input Current  | I <sub>HOTSWAP</sub> | EN, $\overline{\text{EN}}$ , EN1&2, EN3&4 (Note 4)                       |      |     | ±200 | μA    |
| <b>SUPPLY CURRENT</b>  |                      |  |      |     |      |       |
| Supply Current   | I <sub>CC</sub>      | No load  |      |     | 100  | μA    |
| <b>THERMAL PROTECTION</b>  |                      |  |      |     |      |       |
| Thermal-Shutdown Threshold   | T <sub>SH</sub>      |  |      | 160 |      | °C    |
| Thermal-Shutdown Hysteresis  |                      |  |      | 10  |      | °C    |
| ESD Protection DO <sub>-</sub>   |                      | Human Body Model   |      | ±15 |      | kV    |

# **±15kV ESD-Protected, 3.3V Quad RS-422 Transmitters**

**MAX3030E-MAX3033E**

## **SWITCHING CHARACTERISTICS—MAX3030E, MAX3032E**

( $3V \leq V_{CC} \leq 3.6V$ ,  $T_A = T_{MIN}$  to  $T_{MAX}$ , unless otherwise noted. Typical values are at  $V_{CC} = +3.3V$  and  $T_A = +25^\circ C$ .)

| PARAMETER  | SYMBOL            | CONDITIONS  | MIN | TYP | MAX | UNITS |
|--|-------------------|---|-----|-----|-----|-------|
| Driver Propagation Delay<br>Low to High                                    | t <sub>DPLH</sub> | R <sub>L</sub> = 100Ω, C <sub>L</sub> = 50pF, Figures 2, 3  |     | 8   | 16  | ns    |
| Driver Propagation Delay<br>High to Low                                    | t <sub>DPHL</sub> |   |     |     |     |       |
| Differential Transition Time, Low<br>to High                               | t <sub>R</sub>    | R <sub>L</sub> = 100Ω, C <sub>L</sub> = 50pF (10% to 90%),<br>Figures 2, 3                        |     |     | 10  | ns    |
| Differential Transition Time, High<br>to Low                               | t <sub>F</sub>    |   |     |     |     |       |
| Differential Skew (Same Channel)<br> t <sub>DPLH</sub> - t <sub>DPHL</sub> | t <sub>SK1</sub>  | R <sub>L</sub> = 100Ω, C <sub>L</sub> = 50pF, V <sub>CC</sub> = 3.3V                              |     |     | ±2  | ns    |
| Skew Driver to Driver<br>(Same Device)                                     | t <sub>SK2</sub>  |   |     |     |     |       |
| Skew Part to Part  | t <sub>SK3</sub>  | R <sub>L</sub> = 100Ω, C <sub>L</sub> = 50pF, V <sub>CC</sub> = 3.3V,<br>ΔT <sub>MAX</sub> = +5°C |     |     | 5   | ns    |
| Maximum Data Rate  |                   |   | 20  |     |     | Mbps  |
| Driver Enable to Output High   | t <sub>DZH</sub>  | S2 closed, R <sub>L</sub> = 500Ω, C <sub>L</sub> = 50pF,<br>Figures 4, 5                          |     |     | 50  | ns    |
| Driver Enable to Output Low  | t <sub>DZL</sub>  | S1 closed, R <sub>L</sub> = 500Ω, C <sub>L</sub> = 50pF,<br>Figures 4, 5                          |     |     | 50  | ns    |
| Driver Disable Time from Low   | t <sub>DLZ</sub>  | S1 closed, R <sub>L</sub> = 500Ω, C <sub>L</sub> = 50pF,<br>Figures 4, 5                          |     |     | 50  | ns    |
| Driver Disable Time from High  | t <sub>DHZ</sub>  | S2 closed, R <sub>L</sub> = 500Ω, C <sub>L</sub> = 50pF,<br>Figures 4, 5                          |     |     | 50  | ns    |

## **SWITCHING CHARACTERISTICS—MAX3031E, MAX3033E**

( $3V \leq V_{CC} \leq 3.6V$ ,  $T_A = T_{MIN}$  to  $T_{MAX}$ , unless otherwise noted. Typical values are at  $V_{CC} = +3.3V$  and  $T_A = +25^\circ C$ .)

| PARAMETER  | SYMBOL            | CONDITIONS   | MIN | TYP | MAX | UNITS |
|--|-------------------|--|-----|-----|-----|-------|
| Driver Propagation Delay<br>Low to High                                    | t <sub>DPLH</sub> | R <sub>L</sub> = 100Ω, C <sub>L</sub> = 50pF, Figures 2, 3                 |     | 40  | 70  | ns    |
| Driver Propagation Delay<br>High to Low                                    | t <sub>DPHL</sub> |  |     |     |     |       |
| Differential Transition Time,<br>Low to High                               | t <sub>R</sub>    | R <sub>L</sub> = 100Ω, C <sub>L</sub> = 50pF (10% to 90%),<br>Figures 2, 3 | 15  |     | 50  | ns    |
| Differential Transition Time,<br>High to Low                               | t <sub>F</sub>    |  |     |     |     |       |
| Differential Skew (Same Channel)<br> t <sub>DPLH</sub> - t <sub>DPHL</sub> | t <sub>SK1</sub>  | R <sub>L</sub> = 100Ω, C <sub>L</sub> = 50pF, V <sub>CC</sub> = 3.3V       |     |     | ±10 | ns    |
| Skew Driver to Driver<br>(Same Device)                                     | t <sub>SK2</sub>  |  |     |     |     |       |

# ±15kV ESD-Protected, 3.3V Quad RS-422 Transmitters

## SWITCHING CHARACTERISTICS—MAX3031E, MAX3033E (continued)

( $3V \leq V_{CC} \leq 3.6V$ ,  $T_A = T_{MIN}$  to  $T_{MAX}$ , unless otherwise noted. Typical values are at  $V_{CC} = +3.3V$  and  $T_A = +25^\circ C$ .)

| PARAMETER                     | SYMBOL    | CONDITIONS   | MIN | TYP | MAX | UNITS |
|-------------------------------|-----------|--|-----|-----|-----|-------|
| Skew Part to Part             | $t_{SK3}$ | $R_L = 100\Omega$ , $C_L = 50pF$ , $V_{CC} = 3.3V$ , $\Delta T_{MAX} = +5^\circ C$ |     |     | 18  | ns    |
| Maximum Data Rate             |           |  | 2   |     |     | Mbps  |
| Driver Enable to Output High  | $t_{DZH}$ | S2 closed, $R_L = 500\Omega$ , $C_L = 50pF$ , Figures 4, 5                         |     |     | 100 | ns    |
| Driver Enable to Output Low   | $t_{DZL}$ | S1 closed, $R_L = 500\Omega$ , $C_L = 50pF$ , Figures 4, 5                         |     |     | 100 | ns    |
| Driver Disable Time from Low  | $t_{DLZ}$ | S1 closed, $R_L = 500\Omega$ , $C_L = 50pF$ , Figures 4, 5                         |     |     | 150 | ns    |
| Driver Disable Time from High | $t_{DHZ}$ | S2 closed, $R_L = 500\Omega$ , $C_L = 50pF$ , Figures 4, 5                         |     |     | 150 | ns    |

**Note 1:** All currents into the device are positive; all currents out of the device are negative. All voltages are referenced to device ground, unless otherwise noted.

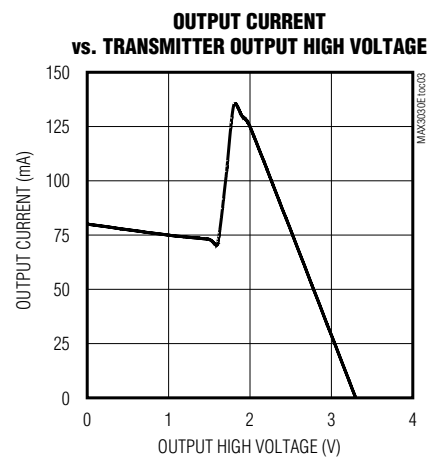
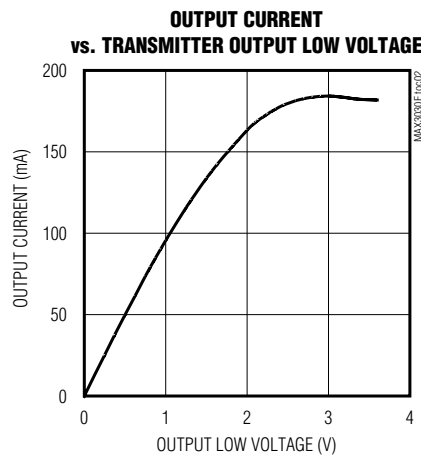
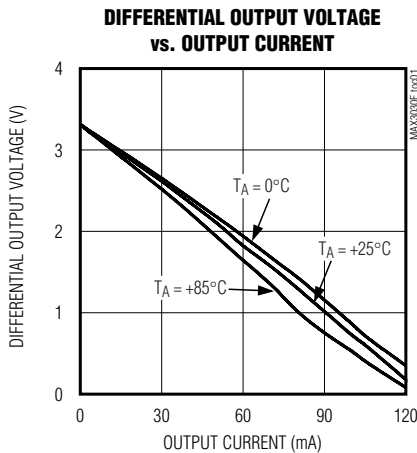
**Note 2:**  $\Delta V_{OD}$  and  $\Delta V_{OC}$  are the changes in  $V_{OD}$  and  $V_{OC}$ , respectively, when DI changes state.

**Note 3:** Only one output shorted at a time.

**Note 4:** This input current is for the hot-swap enable ( $EN_{-}$ ,  $EN$ ,  $\overline{EN}$ ) inputs and is present until the first transition only. After the first transition, the input reverts to a standard high-impedance CMOS input with input current  $I_{LEAK}$ .

## Typical Operating Characteristics

( $V_{CC} = +3.3V$  and  $T_A = +25^\circ C$ , unless otherwise noted.)

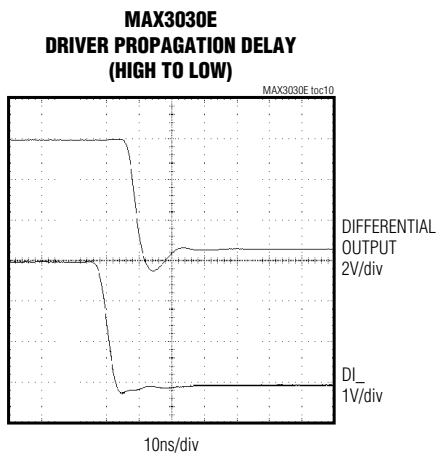
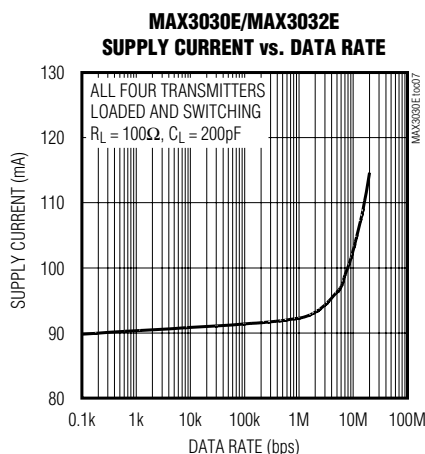
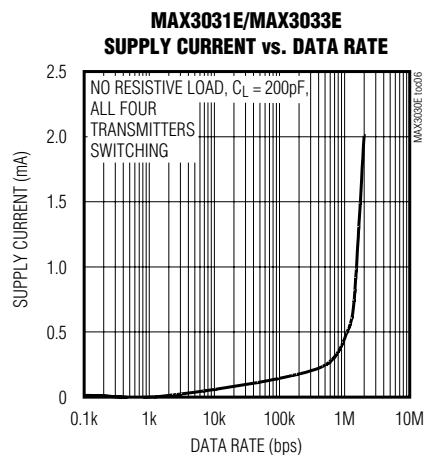
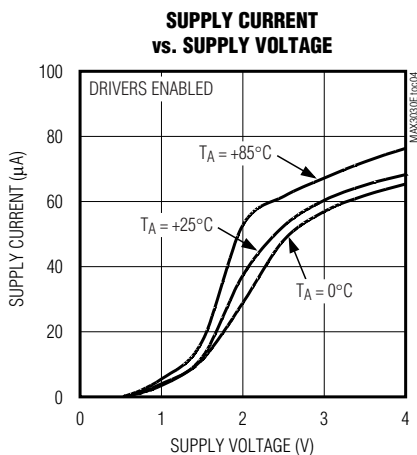


# ±15kV ESD-Protected, 3.3V Quad RS-422 Transmitters

## Typical Operating Characteristics (continued)

( $V_{CC} = +3.3V$  and  $T_A = +25^\circ C$ , unless otherwise noted.)

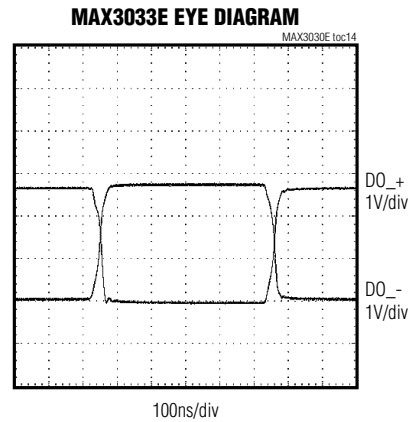
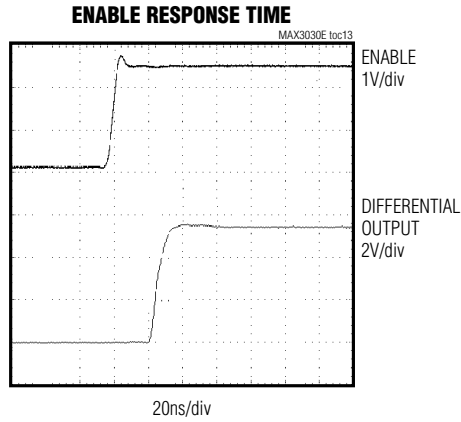
**MAX3030E-MAX3033E**



# ±15kV ESD-Protected, 3.3V Quad RS-422 Transmitters

## Typical Operating Characteristics (continued)

(V<sub>CC</sub> = +3.3V and T<sub>A</sub> = +25°C, unless otherwise noted.)



## Pin Description

| PIN                   |                       | NAME                      | FUNCTION  |
|-----------------------|-----------------------|---------------------------|---|
| MAX3030E/<br>MAX3031E | MAX3032E/<br>MAX3033E |                           |   |
| 1, 7, 9, 15           | 1, 7, 9, 15           | DI1, DI2,<br>DI3, DI4     | Transmitter Inputs. When the corresponding transmitter is enabled, a low on DI <sub>i</sub> forces the noninverting output low and inverting output high. Similarly, a high on DI <sub>i</sub> forces noninverting output high and inverting output low.  |
| 2, 6, 10, 14          | 2, 6, 10, 14          | DO1+, DO2+,<br>DO3+, DO4+ | Noninverting RS-422 Outputs   |
| 3, 5, 11, 13          | 3, 5, 11, 13          | DO1-, DO2-,<br>DO3-, DO4- | Inverting RS-422 Outputs  |
| 4                     | —                     | EN                        | Transmitter Enable Input: Active HIGH. Drive EN HIGH to enable all transmitters. When $\overline{\text{EN}}$ is HIGH, drive EN LOW to disable (three-state) all the transmitters. The transmitter outputs are high impedance when disabled. EN is hot-swap protected (see the <i>Hot Swap</i> section).                         |
| 8                     | 8                     | GND                       | Ground  |
| 12                    | —                     | $\overline{\text{EN}}$    | Transmitter Enable Input: Active LOW. Drive $\overline{\text{EN}}$ LOW to enable all transmitters. When EN is LOW, drive $\overline{\text{EN}}$ HIGH to disable all the transmitters. The transmitter outputs are high impedance when disabled. $\overline{\text{EN}}$ is hot-swap protected (see the <i>Hot Swap</i> section). |
| —                     | 4                     | EN1&2                     | Transmitter Enable Input for Channels 1 and 2. Drive EN1&2 HIGH to enable the corresponding transmitters. Drive EN1&2 LOW to disable the corresponding transmitters. The transmitter outputs are high impedance when disabled. EN1&2 is hot-swap protected (see the <i>Hot Swap</i> section).                                   |
| —                     | 12                    | EN3&4                     | Transmitter Enable Input for Channels 3 and 4. Drive EN3&4 HIGH to enable the corresponding transmitters. Drive EN3&4 LOW to disable the corresponding transmitters. The transmitter outputs are high impedance when disabled. EN3&4 is hot-swap protected (see the <i>Hot Swap</i> section).                                   |
| 16                    | 16                    | V <sub>CC</sub>           | Positive Supply; +3V ≤ V <sub>CC</sub> ≤ +3.6V. Bypass V <sub>CC</sub> to GND with a 0.1μF capacitor.   |

# ±15kV ESD-Protected, 3.3V Quad RS-422 Transmitters

## Test Circuits and Timing Diagrams

**MAX3030E-MAX3033E**

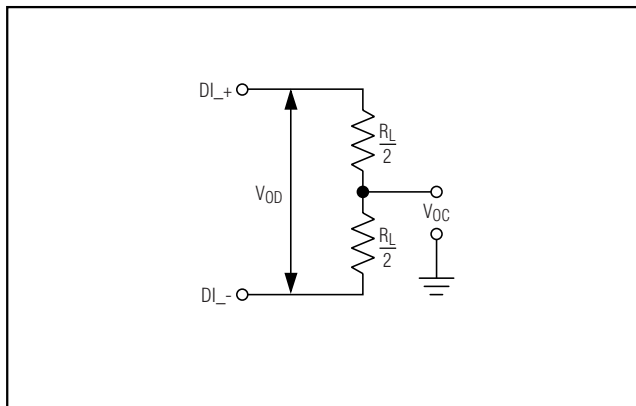


Figure 1. Differential Driver DC Test Circuit

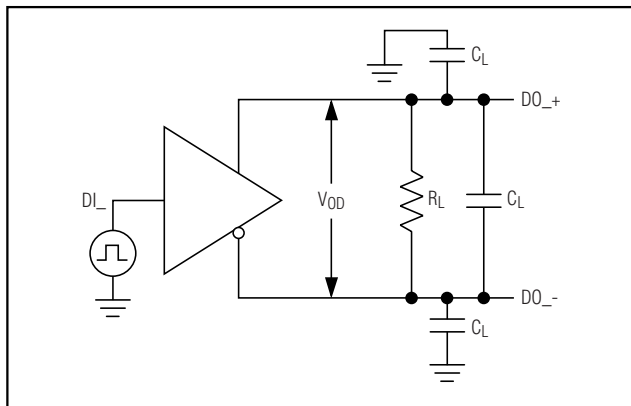


Figure 2. Differential Driver Propagation Delay and Transition Time Test Circuit

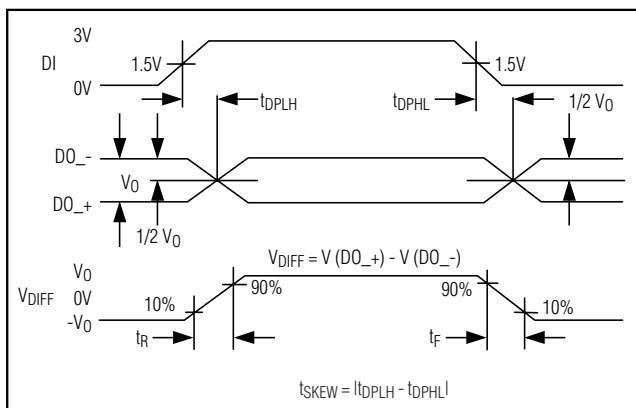


Figure 3. Differential Driver Propagation Delay and Transition Waveform

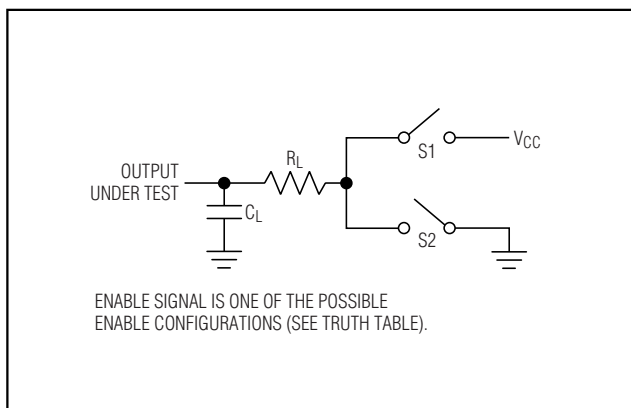


Figure 4. Driver Enable/Disable Delays Test Circuit

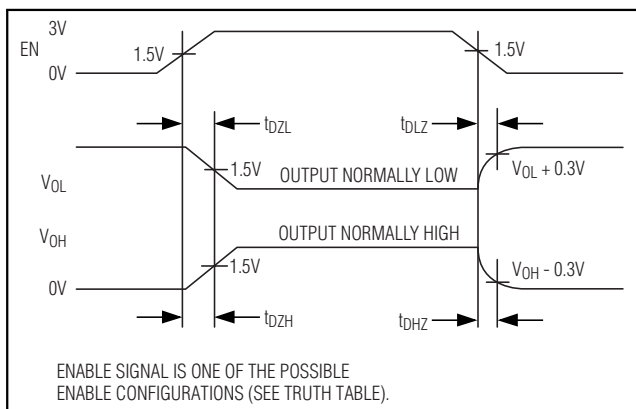


Figure 5. Driver Enable/Disable Waveform

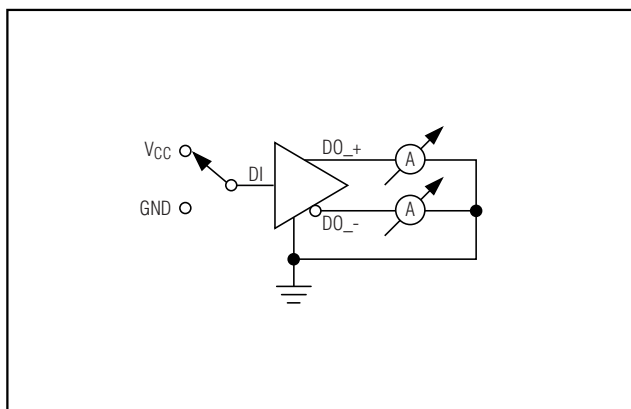


Figure 6. Short-Circuit Measurements

# ±15kV ESD-Protected, 3.3V Quad RS-422 Transmitters

## Test Circuits and Timing Diagrams (continued)



Figure 7. Power-Off Measurements

## Detailed Description

The MAX3030E-MAX3033E are high-speed quad RS-422 transmitters designed for digital data transmission over balanced lines. They are designed to meet the requirements of TIA/EIA-422-B and ITU-T V.11. The MAX3030E-MAX3033E are available in two pinouts to be compatible with both the 26LS31 and SN75174 industry-standard devices. Both are offered in 20Mbps and 2Mbps baud rate. All versions feature a low-static current consumption ( $I_{CC} < 100\mu A$ ) that makes them ideal for battery-powered and power-conscious applications. The 20Mbps version has a maximum propagation delay of 16ns and a part-to-part skew less than 5ns, allowing these devices to drive parallel data. The 2Mbps version is slew-rate-limited to reduce EMI and reduce reflections caused by improperly terminated cables.

Outputs have enhanced ESD protection providing ±15kV tolerance. All parts feature hot-swap capability that eliminates false transitions on the data cable during power-up or hot insertion.

## ±15kV ESD Protection

As with all Maxim devices, ESD-protection structures are incorporated on all pins to protect against electrostatic discharges encountered during handling and assembly. The driver outputs and receiver inputs have extra protection against static electricity. Maxim's engineers developed state-of-the-art structures to protect these pins against ESD of ±15kV without damage. The ESD structures withstand high ESD in all states: normal operation and power-down. After an ESD event, the MAX3030E-MAX3033E keep working without latchup. ESD protection can be tested in various ways; the

transmitter outputs of this product family are characterized for protection to ±15kV using the Human Body Model. Other ESD test methodologies include IEC10004-2 Contact Discharge and IEC1000-4-2 Air-Gap Discharge (formerly IEC801-2).

## ESD Test Conditions

ESD performance depends on a variety of conditions. Contact Maxim for a reliability report that documents test setup, test methodology, and test results.

## Human Body Model

Figure 8 shows the Human Body Model, and Figure 9 shows the current waveform it generates when discharged into low impedance. This model consists of a 100pF capacitor charged to the ESD voltage of interest, which is then discharged into the test device through a 1.5kΩ resistor.



Figure 8. Human Body ESD Test Model

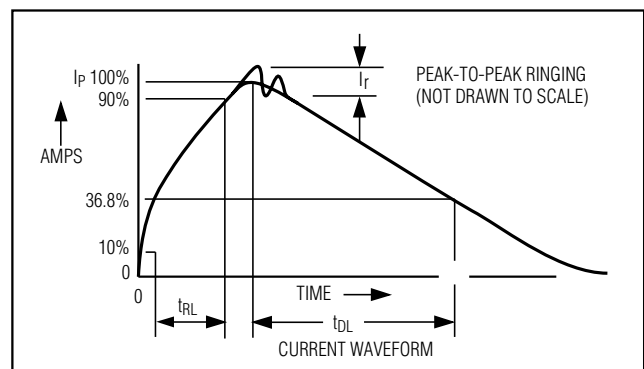


Figure 9. Human Body Current Waveform



# ±15kV ESD-Protected, 3.3V Quad RS-422 Transmitters

**MAX3030E-MAX3033E**

## Machine Model

The Machine Model for ESD tests all pins using a 200pF storage capacitor and zero discharge resistance. Its objective is to emulate the stress caused by contact that occurs with handling and assembly during manufacturing. Of course, all pins require this protection during manufacturing, not just inputs and outputs. Therefore, after PC board assembly, the Machine Model is less relevant to I/O ports.

## Hot Swap

When circuit boards are plugged into a “hot” backplane, there can be disturbances to the differential signal levels that could be detected by receivers connected to the transmission line. This erroneous data could cause data errors to an RS-422 system. To avoid this, the MAX3030E-MAX3033E have hot-swap capable inputs.

When a circuit board is plugged into a “hot” backplane, there is an interval during which the processor is going through its power-up sequence. During this time, the processor’s output drivers are high impedance and are unable to drive the enable inputs of the MAX3030E-MAX3033E (EN,  $\overline{\text{EN}}$ , EN\_) to defined logic levels. Leakage currents from these high-impedance drivers, of as much as 10 $\mu\text{A}$ , could cause the enable inputs of the MAX3030E-MAX3033E to drift high or low. Additionally, parasitic capacitance of the circuit board could cause capacitive coupling of the enable inputs to either GND or V<sub>CC</sub>. These factors could cause the enable inputs of the MAX3030E-MAX3033E to drift to levels that may enable the transmitter outputs. To avoid this problem, the hot-swap input provides a method of holding the enable inputs of the MAX3030E-MAX3033E in the disabled state as V<sub>CC</sub> ramps up. This hot-swap input is able to overcome the leakage currents and parasitic capacitances that can pull the enable inputs to the enabled state.

## Hot-Swap Input Circuitry

In the MAX3030E-MAX3033E, the enable inputs feature hot-swap capability. At the input there are two NMOS devices, M1 and M2 (Figure 10). When V<sub>CC</sub> is ramping up from zero, an internal 6 $\mu\text{s}$  timer turns on M2 and sets the SR latch, which also turns on M1. Transistors M2, a 2mA current sink, and M1, a 100 $\mu\text{A}$  current sink, pull EN to GND through a 5.6k $\Omega$  resistor. M2 is designed to pull the EN input to the disabled state against an external parasitic capacitance of up to 100pF that is trying to enable the EN input. After 6 $\mu\text{s}$ , the timer turns M2 off and M1 remains on, holding the EN input low against three-state output leakages that might enable EN. M1 remains on until an external source overcomes the required input



Figure 10. Simplified Structure of the Driver Enable Pin (EN)

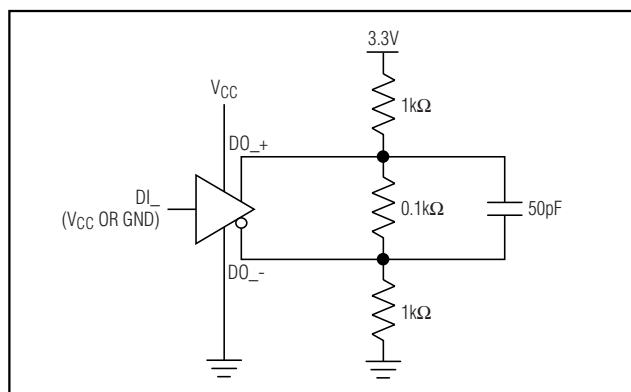


Figure 11. Differential Power-Up Glitch (Hot Swap)

current. At this time the SR latch resets and M1 turns off. When M1 turns off, EN reverts to a standard, high-impedance CMOS input. Whenever V<sub>CC</sub> drops below 1V, the hot-swap input is reset. The EN1&2 and EN3&4 input structures are identical to the EN input. For the  $\overline{\text{EN}}$  input, there is a complementary circuit employing two PMOS devices pulling the  $\overline{\text{EN}}$  input to V<sub>CC</sub>.

## Hot-Swap Line Transient

The circuit of Figure 11 shows a typical offset termination used to guarantee a greater than 200mV offset when a line is not driven. The 50pF capacitor repre-

# ±15kV ESD-Protected, 3.3V Quad RS-422 Transmitters

sents the minimum parasitic capacitance that would exist in a typical application. In most cases, more capacitance exists in the system and reduces the magnitude of the glitch. During a “hot-swap” event when the driver is connected to the line and is powered up, the driver must not cause the differential signal to drop below 200mV (Figures 12 and 13).

## Operation of Enable Pins

The MAX3030E-MAX3033E family has two enable-functional versions.

The MAX3030E/MAX3031E are compatible with 26LS31, where the two enable signals control all four transmitters (global enable).

The MAX3032E/MAX3033E are compatible with the SN75174. EN1&2 controls transmitters 1 and 2, and EN 3&4 controls transmitters 3 and 4 (dual enable).

## Typical Applications

The MAX3030E-MAX3033E offer optimum performance when used with the MAX3094E/MAX3096 3.3V quad differential line receivers. Figure 14 shows a typical RS-422 connection for transmitting and receiving data.

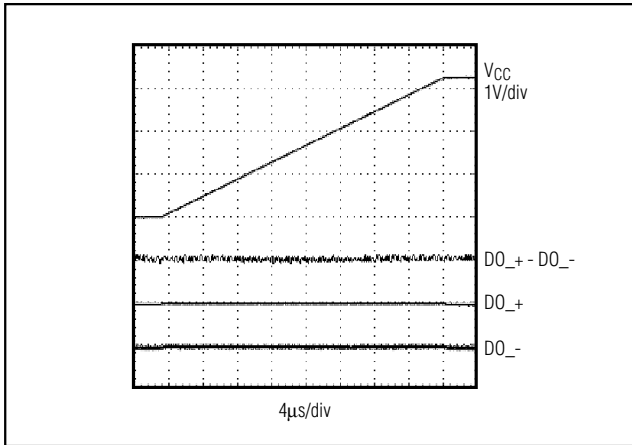


Figure 12. Differential Power-Up Glitch (0.1V/μs)

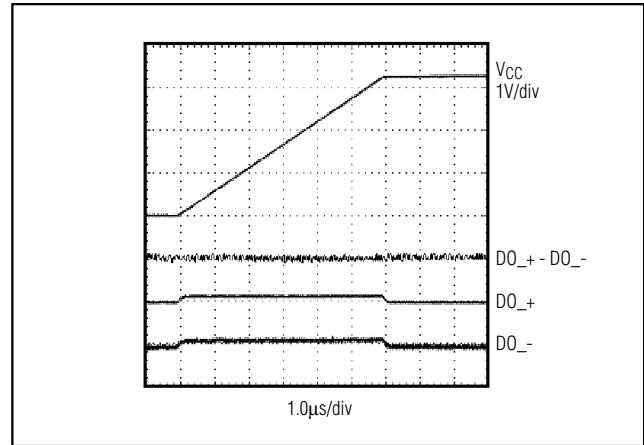


Figure 13. Differential Power-Up Glitch (1V/μs)

**Table 1. MAX3030E/MAX3031E Transmitter Controls**

| EN | $\overline{\text{EN}}$ | TX1    | TX2    | TX3    | TX4    | MODE                      |
|----|------------------------|--------|--------|--------|--------|---------------------------|
| 0  | 0                      | Active | Active | Active | Active | All transmitters active   |
| 0  | 1                      | High-Z | High-Z | High-Z | High-Z | All transmitters disabled |
| 1  | 0                      | Active | Active | Active | Active | All transmitters active   |
| 1  | 1                      | Active | Active | Active | Active | All transmitters active   |

**Table 2. MAX3032E/MAX3033E Transmitter Controls**

| EN1&2 | EN3&4 | TX1    | TX2    | TX3    | TX4    | MODE                      |
|-------|-------|--------|--------|--------|--------|---------------------------|
| 0     | 0     | High-Z | High-Z | High-Z | High-Z | All transmitters disabled |
| 0     | 1     | High-Z | High-Z | Active | Active | Tx 3 and 4 active         |
| 1     | 0     | Active | Active | High-Z | High-Z | Tx 1 and 2 active         |
| 1     | 1     | Active | Active | Active | Active | All transmitters active   |

# ±15kV ESD-Protected, 3.3V Quad RS-422 Transmitters

**MAX3030E-MAX3033E**

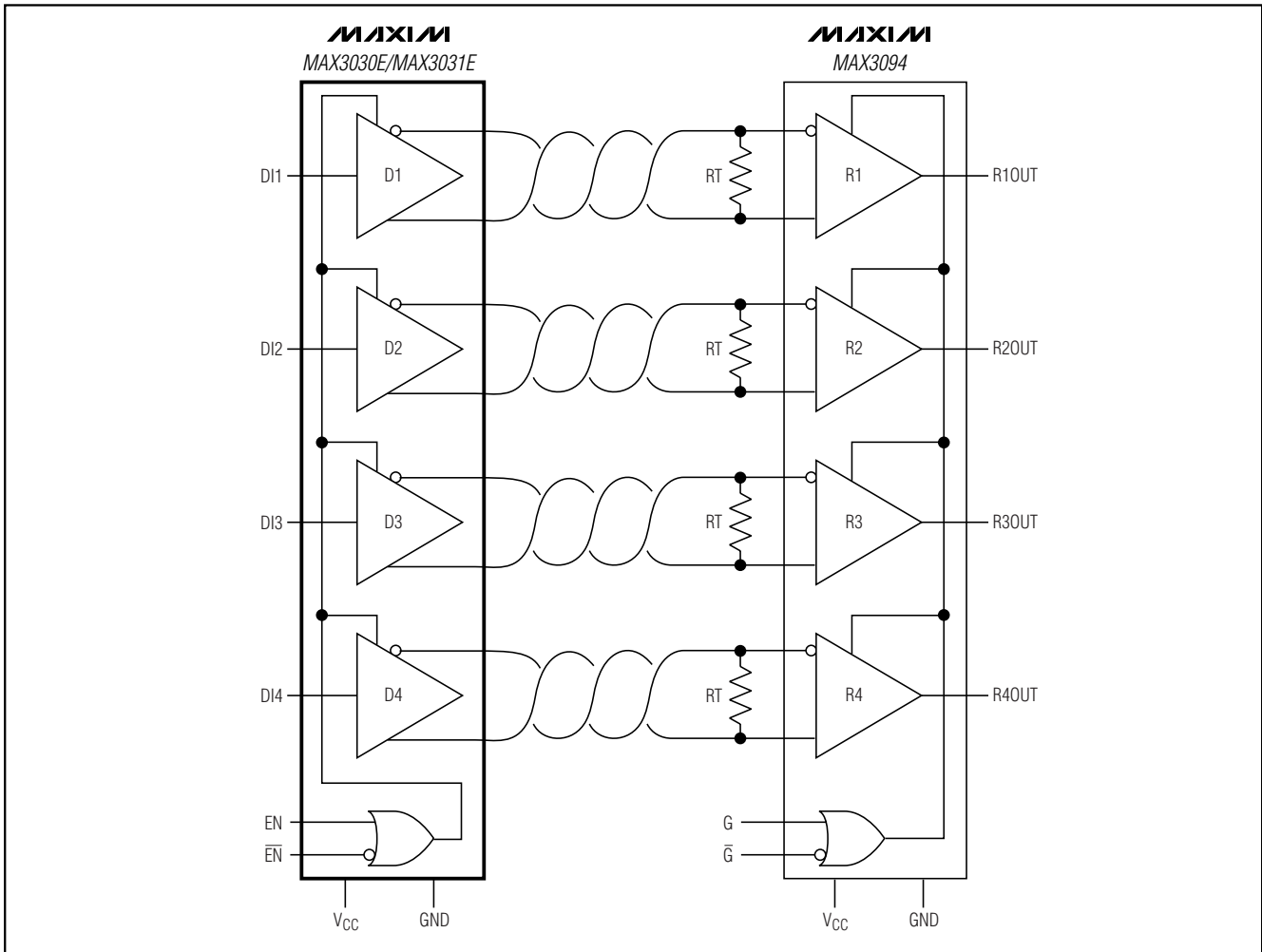


Figure 14. Typical Connection of a Quad Transmitter and Quad Receiver as a Pair

**±15kV ESD-Protected, 3.3V Quad RS-422 Transmitters**



Figure 15. MAX3030E/MAX3031E Functional Diagram



Figure 16. MAX3032E/MAX3033E Functional Diagram

**Chip Information**

TRANSISTOR COUNT: 1050

PROCESS: BiCMOS

# ±15kV ESD-Protected, 3.3V Quad RS-422 Transmitters

## Package Information

(The package drawing(s) in this data sheet may not reflect the most current specifications. For the latest package outline information, go to [www.maxim-ic.com/packages](http://www.maxim-ic.com/packages).)

MAX3030E-MAX3033E



TOP VIEW



FRONT VIEW



SIDE VIEW


**NOTES:**

1. D&E DO NOT INCLUDE MOLD FLASH.
2. MOLD FLASH OR PROTRUSIONS NOT TO EXCEED 0.15mm (.006").
3. LEADS TO BE COPLANAR WITHIN 0.10mm (.004").
4. CONTROLLING DIMENSION: MILLIMETERS.
5. MEETS JEDEC MS012.
6. N = NUMBER OF PINS.

| DIM | INCHES    |       | MILLIMETERS |      |
|-----|-----------|-------|-------------|------|
|     | MIN       | MAX   | MIN         | MAX  |
| A   | 0.053     | 0.069 | 1.35        | 1.75 |
| A1  | 0.004     | 0.010 | 0.10        | 0.25 |
| B   | 0.014     | 0.019 | 0.35        | 0.49 |
| C   | 0.007     | 0.010 | 0.19        | 0.25 |
| e   | 0.050 BSC |       | 1.27 BSC    |      |
| E   | 0.150     | 0.157 | 3.80        | 4.00 |
| H   | 0.228     | 0.244 | 5.80        | 6.20 |
| L   | 0.016     | 0.050 | 0.40        | 1.27 |

VARIATIONS:

| DIM | INCHES |       | MILLIMETERS |       | N  | MS012 |
|-----|--------|-------|-------------|-------|----|-------|
|     | MIN    | MAX   | MIN         | MAX   |    |       |
| D   | 0.189  | 0.197 | 4.80        | 5.00  | 8  | AA    |
| D   | 0.337  | 0.344 | 8.55        | 8.75  | 14 | AB    |
| D   | 0.386  | 0.394 | 9.80        | 10.00 | 16 | AC    |



PROPRIETARY INFORMATION

TITLE: PACKAGE OUTLINE, .150" SOIC

|          |                                 |           |     |
|----------|---------------------------------|-----------|-----|
| APPROVAL | DOCUMENT CONTROL NO.<br>21-0041 | REV.<br>B | 1/1 |
|----------|---------------------------------|-----------|-----|

SOICN .EPS

# ±15kV ESD-Protected, 3.3V Quad RS-422 Transmitters

## Package Information (continued)

(The package drawing(s) in this data sheet may not reflect the most current specifications. For the latest package outline information, go to [www.maxim-ic.com/packages](http://www.maxim-ic.com/packages).)

**TOP VIEW**      **BOTTOM VIEW**

**SIDE VIEW**      **END VIEW**

**DETAIL A**

**LEAD TIP DETAIL**

| SYMBOL         | COMMON DIMENSIONS |      |                |      |
|----------------|-------------------|------|----------------|------|
|                | MILLIMETERS       |      | INCHES         |      |
|                | MIN.              | MAX. | MIN.           | MAX. |
| A              | —                 | 1.10 | .043           |      |
| A <sub>1</sub> | 0.05              | 0.15 | .002           | .006 |
| A <sub>2</sub> | 0.85              | 0.95 | .033           | .037 |
| b              | 0.19              | 0.30 | .007           | .012 |
| b <sub>1</sub> | 0.19              | 0.25 | .007           | .010 |
| c              | 0.09              | 0.20 | .004           | .008 |
| c <sub>1</sub> | 0.09              | 0.14 | .004           | .006 |
| D              | SEE VARIATIONS    |      | SEE VARIATIONS |      |
| E              | 4.30              | 4.50 | .169           | .177 |
| e              | 0.65 BSC          |      | .026 BSC       |      |
| H              | 6.25              | 6.55 | .246           | .258 |
| L              | 0.50              | 0.70 | .020           | .028 |
| N              | SEE VARIATIONS    |      | SEE VARIATIONS |      |
| α              | 0°                | 8°   | 0°             | 8°   |

| JEDEC | N  | VARIATIONS  |      |        |      |      |
|-------|----|-------------|------|--------|------|------|
|       |    | MILLIMETERS |      | INCHES |      |      |
|       |    | MIN.        | MAX. | MIN.   | MAX. |      |
| AB-1  | 14 | D           | 4.90 | 5.10   | .193 | .201 |
| AB    | 16 | D           | 4.90 | 5.10   | .193 | .201 |
| AC    | 20 | D           | 6.40 | 6.60   | .252 | .260 |
| AD    | 24 | D           | 7.70 | 7.90   | .303 | .311 |
| AE    | 28 | D           | 9.60 | 9.80   | .378 | .386 |

**NOTES:**

- DIMENSIONS D AND E DO NOT INCLUDE FLASH
- MOLD FLASH OR PROTRUSIONS NOT TO EXCEED 0.15mm PER SIDE
- CONTROLLING DIMENSION: MILLIMETER
- MEETS JEDEC OUTLINE MD-153. SEE JEDEC VARIATIONS TABLE
- \*N\* REFERS TO NUMBER OF LEADS
- THE LEAD TIPS MUST LIE WITHIN A SPECIFIED ZONE. THIS TOLERANCE ZONE IS DEFINED BY TWO PARALLEL PLANES. ONE PLANE IS THE SEATING PLANE, DATUM [C-C-]; THE OTHER PLANE IS AT THE SPECIFIED DISTANCE FROM [C-C-] IN THE DIRECTION INDICATED

|  |                      |              |     |
|--|----------------------|--------------|-----|
| <b>DALLAS SEMICONDUCTOR</b>                  |                      | <b>MAXIM</b> |     |
| PROPRIETARY INFORMATION                      |                      |              |     |
| TITLE:<br>PACKAGE OUTLINE, TSSOP 4.40mm BODY |                      |              |     |
| APPROVAL                                     | DOCUMENT CONTROL NO. | REV.         | 1/1 |
|  | 21-0066              | F            |     |

TSSOP4.40mm.EPS

Maxim cannot assume responsibility for use of any circuitry other than circuitry entirely embodied in a Maxim product. No circuit patent licenses are implied. Maxim reserves the right to change the circuitry and specifications without notice at any time.

14 **Maxim Integrated Products, 120 San Gabriel Drive, Sunnyvale, CA 94086 408-737-7600**

## X-ON Electronics

Largest Supplier of Electrical and Electronic Components

*Click to view similar products for [RS-422 Interface IC category](#):*

*Click to view products by [Maxim manufacturer](#):*

Other Similar products are found below :

[022470R](#) [633428X](#) [750573X](#) [065309E](#) [066913D](#) [065310H](#) [DS26LV31TMX](#) [SN65C1168PW](#) [DS26C31ME/883](#) [MAX14890EATJ+](#)  
[ADM4168EBRUZ](#) [ISL32172EFVZ](#) [ISL32172EIBZ](#) [ISL32174EIBZ](#) [ISL32174EIVZ](#) [ISL32174EFVZ-T](#) [MAX14890EATJ+T](#)  
[MAX3030ECSE+](#) [MAX3030ECUE+](#) [MAX3030EESE+](#) [MAX3030EEUE+](#) [MAX3030EEUE+T](#) [MAX3031ECSE+](#) [MAX3031ECUE+](#)  
[MAX3031EESE+](#) [MAX3031EEUE+](#) [MAX3032ECSE+](#) [MAX3032ECUE+](#) [MAX3032EEUE+](#) [MAX3033ECSE+](#) [MAX3033ECUE+](#)  
[MAX3033EESE+](#) [MAX3033EEUE+](#) [MAX3030EESE+T](#) [MAX3032EEUE+T](#) [DS3691N](#) [MC26LS30D](#) [AM26C31INE4](#) [AM26C32CNE4](#)  
[SN75ALS193NE4](#) [AM26C31CN](#) [MAX3033EESE+T](#) [ISL32272EFBZ](#) [MAX3031ECSE+T](#) [MAX3032EESE+](#) [AM26LS32AIDRG4](#)  
[SN75157DG4](#) [AM26C31CDRE4](#) [AM26LS32ACDRG4](#) [AM26LS32ACDG4](#)