

A

B

C

D

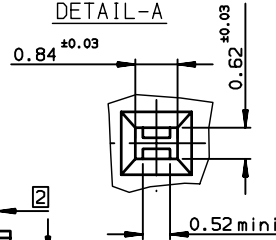
A

B

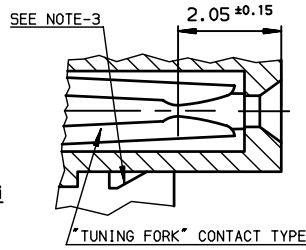
C

D

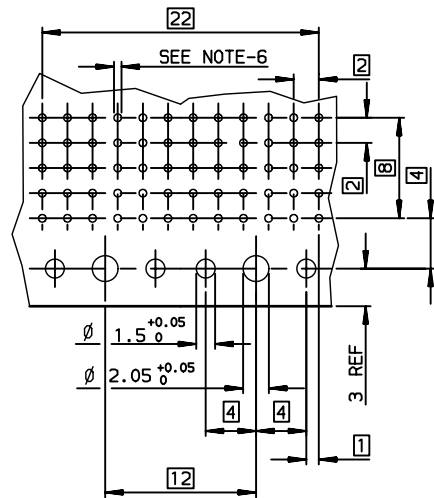
DETAIL-A



SECTION-FF

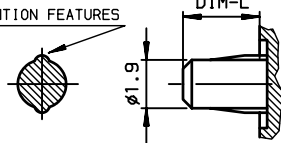


LAYOUT FOR P.C.B



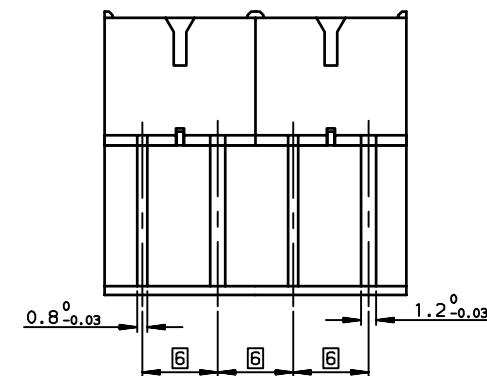
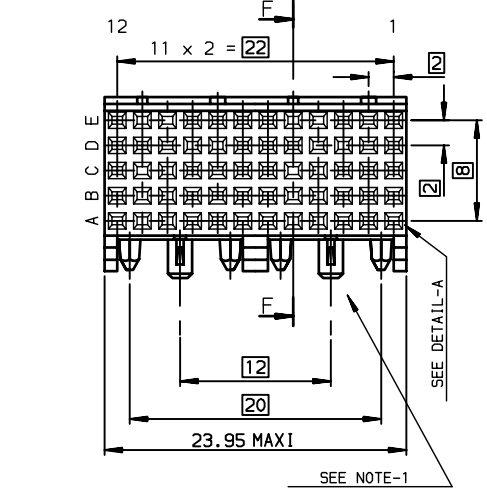
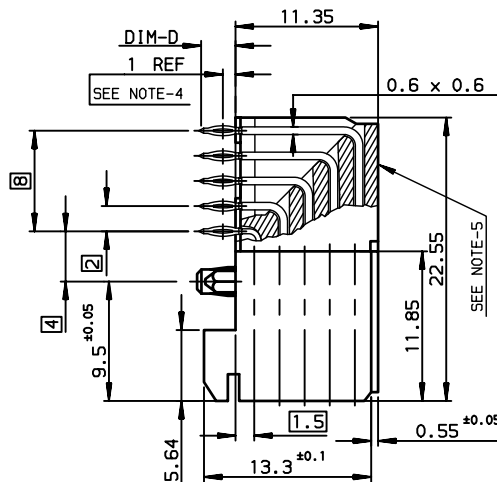
DETAIL OF PRESS-IN PEGS

RETENTION FEATURES



DIM-D

1 REF
SEE NOTE-4



GENERAL CHARACTERISTICS AND ROHS INFORMATIONS:

SEE GS-12-447

- NOTE-1: PRESS-IN RETENTION PEG
- NOTE-2: CONNECTORS WITH PCB-2.4mm ARE COMPATIBLE WITH WIDE AND NARROW BODIES
- NOTE-3: PLUG FOR CODING KEY FIXING
- NOTE-4: EYE OF THE NEEDLE PRESS-FIT CTS TYPE
- NOTE-5: FLAT ROCK INSERTION TOOLING IN PCB, SEE DRW REF:C-8626-1003
- NOTE-6: METALIZED HOLE DEFINITION,SEE GS-12-447
- NOTE-7: IF SUFFIX "P" IS ADDED IN P/N, PACKAGING IS IN TRAYS, BUT CONNECTOR MARKING IS WITHOUT "P"
Example : HM1FxxxxxxxH6PLF, marking:HM1FxxxxxxxH6LF

European Views

TIN LEAD Part Number: HM1F52FDP000H6		
LEAD FREE Part Number: HM1F52FDP000H6LF		
TERMINATION TYPE	D = 2.90 ±0.3	L = 3 ±0.05

REDUCED SCALE SHEET

rev	ecn no	dr	date
D	-	CHA	1999/04/14
E	LS05-004	MLE	2005/02/17
F	LS06-0095	LGO	2006/07/03
G	LS06-0159	MLE	2006/10/23
H	LS07-0266	MLE	2007/11/06
-	-	-	-
-	-	-	-

www.fciconnect.com		surface ISO 1302 ✓	tolerance std ISO 406 ISO 1101	projection mm
TOLERANCES UNLESS OTHERWISE SPECIFIED				
Dr	CHAMPION	1991/09/25	ANGULAR	LINEAR
Eng	LENOIR	1991/09/25	0.X	±0.1
Chr	LEGARE	1991/09/25	0.XX	±0.1
Appr	LEGARE	1991/09/25	0.XXX	±0.1
Product family			METRAL	
Title			C-8626-0073	
catalog no			CUSTOMER sheet 1 of 1	

Copyright FCI. FCI

X-ON Electronics

Largest Supplier of Electrical and Electronic Components

Click to view similar products for [Hard Metric Connectors](#) category:

Click to view products by [Amphenol](#) manufacturer:

Other Similar products are found below :

[10146110-VR5C](#) [6345127-1](#) [646916-9](#) [6469658-1](#) [853016](#) [973108](#) [1-2000713-0](#) [1-2000713-2](#) [1-2000713-3](#) [120646-1](#) [134187](#) [1645343-1](#)
[1645456-1](#) [1645564-3](#) [1645594-1](#) [1645601-1](#) [1934822-1](#) [2000829-2](#) [2000985-2](#) [223085-1](#) [278071110010833](#) [1645179-1](#) [1645245-1](#)
[1645457-1](#) [1645525-1](#) [1645570-1](#) [1645596-1](#) [17-8072-125-000-863+](#) [1857470-1](#) [1934275-1](#) [1934289-1](#) [1934759-1](#) [2000670-2](#) [2000673-1](#)
[2000843-2](#) [2000984-2](#) [204975](#) [2170292-2](#) [2-536642-6](#) [3-100668-0](#) [3-106015-1](#) [352188-1](#) [352629-1](#) [3-646346-0](#) [3-646356-0](#) [3-646457-0](#) [3-646529-0](#) [3-646530-0](#) [5120823-1](#) [5120899-1](#)