

ET60T-00-24-04-L-RT1-GP-HS

ET60T SERIES

(5,50 mm) .217" (PWR) (2,54 mm) .100" (SIG)

ET60T-02-24-02-L-RT1-GP-HS

EXTreme Ten60Power™ TERMINAL

SPECIFICATIONS

For complete specifications and recommended PCB layouts see www.samtec.com?ET60T

Insulator Material:

Black LCP

Terminal Material:

Signal: Phosphor Bronze

Power: Copper Alloy

Plating:

Au or Sn over

50µ" (1,27 µm) Ni

Current Rating:

Power: 60 A max per blade

(2 pins powered @ 95°C;

30°C temperature rise)

Signal: 2.8 A max

(6 pins powered @ 95°C;

30°C temperature rise)

Operating Temp Range:

-40°C to +105°C

Voltage Rating:

250 V max

RoHS Compliant:

Yes

Processing:

Lead-Free Solderable:

Yes

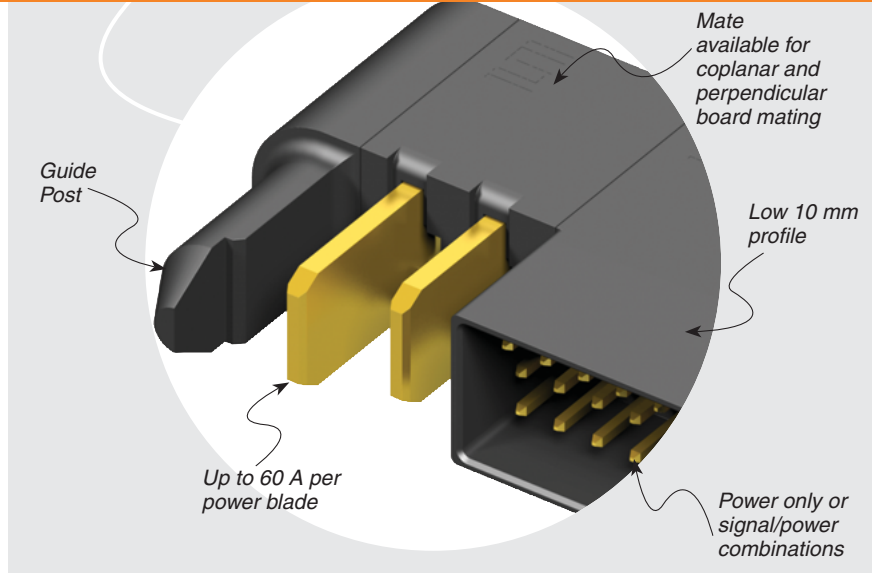
RECOGNITIONS

For complete scope of recognitions see www.samtec.com/quality



FILE NO. E111594

Mates with:
ET60S



-00, -02, -03, -04, -06

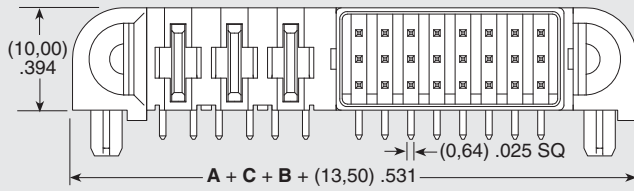
-00, -24

-00, -02, -03, -04, -06

-L
= 10µ" (0,25 µm) Gold on contact, Matte Tin on tail

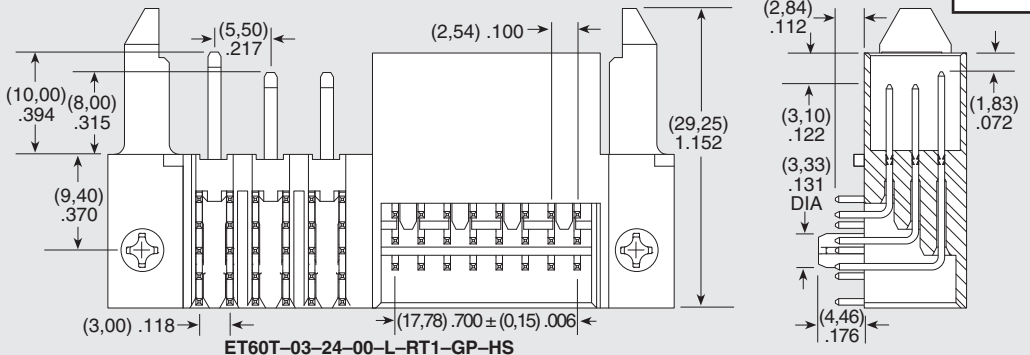
Leave blank for no Hot Swap

-HS
= Hot Swap (Long pins, outer position power 10 mm, top row signal)



POWER POSITIONS	A (Left)	B (Right)
-00	(00,00) .000	(00,00) .000
-02	(13,00) .512	(13,00) .512
-03	(18,50) .728	(18,50) .728
-04	(24,00) .945	(24,00) .945
-06	(35,00) 1.378	(35,00) 1.378

SIGNAL POSITIONS	C
-00	(00,00) .000
-24	(23,26) .916



ET60T-03-24-00-L-RT1-GP-HS

Note: *EXTreme Ten60Power™ is a trademark of Molex Incorporated and is dual sourced by Molex®

Note: Some lengths, styles and options are non-standard, non-returnable.

X-ON Electronics

Largest Supplier of Electrical and Electronic Components

Click to view similar products for [DC Power Connectors](#) category:

Click to view products by [Samtec](#) manufacturer:

Other Similar products are found below :

[1600206-1](#) [163-0301-EX](#) [163-0302](#) [163-0308-EX](#) [163-0310-EX](#) [163-1061-EX](#) [163-1100-EX](#) [163-4024](#) [163-4117-EX](#) [163-4118-EX](#) [163-5005-E](#) [163-7421](#) [163-MJ22-EX](#) [171-0721-EX](#) [171-0725-EX](#) [171-3118-EX](#) [171-3210-E](#) [171-3221-EX](#) [171-3222-EX](#) [171-A1326-EX](#) [173-23507-ST-EX](#) [173-5521TIP-EX](#) [173-6330TIP-EX](#) [KLDVX-SMT-02-ATR](#) [KLDX-0201-AHT-1](#) [KLDX-0202-AHT](#) [KLDX-SMT-0202-BP](#) [KLDX-SMT-0202-BPTR](#) [163-0179-EX](#) [163-0307-E](#) [163-0309-EX](#) [163-4007-EX](#) [163-4015-EX](#) [163-4025](#) [163-4119-E](#) [163-4303-E](#) [16PJ101-EX](#) [171-0702-EX](#) [171-0722-E](#) [171-0726-EX](#) [171-2122-EX](#) [171-3216-EX](#) [171-3218-EX](#) [171-3219-EX](#) [171-3220-EX](#) [171-7391](#) [173-3413-ST-EX](#) [173-4017-ST-EX](#) [RAPCBRK](#) [K596](#)