

DO NOT SCALE FROM THIS PRINT

ZF5S-XX-XX-XX-WT-X-XX

No OF POSITIONS
 -04 THRU -50
 (USE ZF5-XX AND ZF5C-XX-XX)

LEAD STYLE
 -01: USE C-297-01-X
 -02: USE C-298-01-X
 -03: USE C-297-02-X & C-298-02-X

OPTION
 -TR: TAPE AND REEL (SEE SHEET 4, FIG 3)

OPTION
 -K: KAPTON PAD (N/A IN -03 LEAD STYLE) (USE K-DOT-.118-.219-.005) (SEE SHEET 5, FIG 4)

WELD TAB
 USE WT-60-01-T

PLATING SPECIFICATION
 -T: PURE TIN, MATTE FINISH

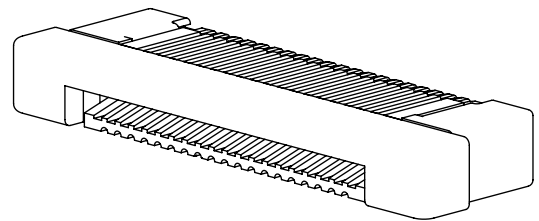
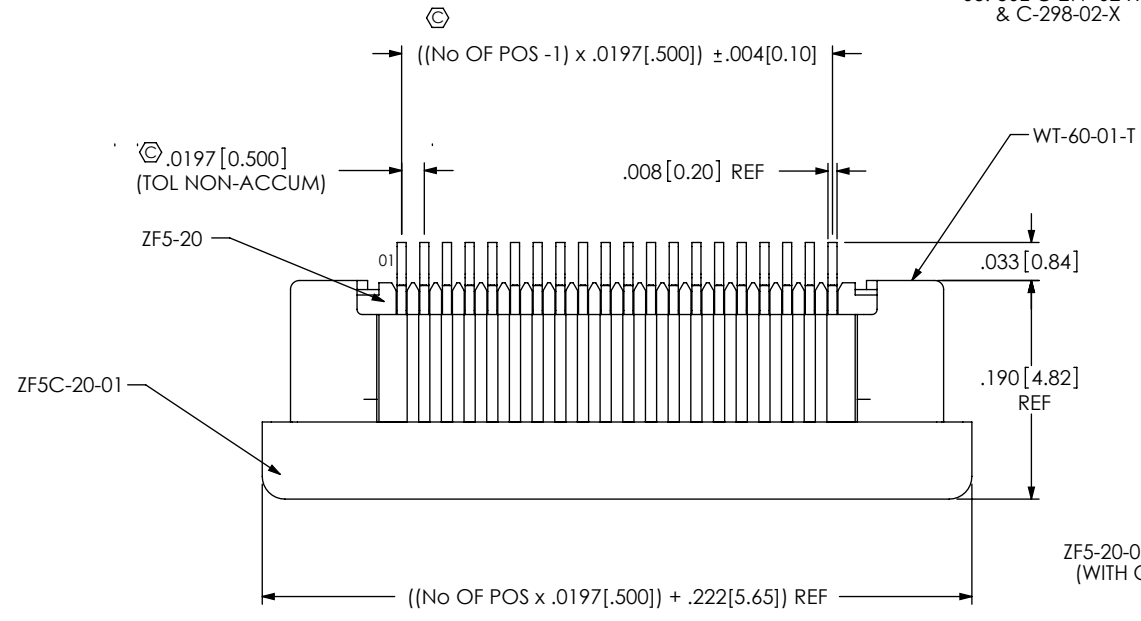


FIG 1
 ZF5-20-01-X-WT SHOWN (WITH CAM CLOSED)

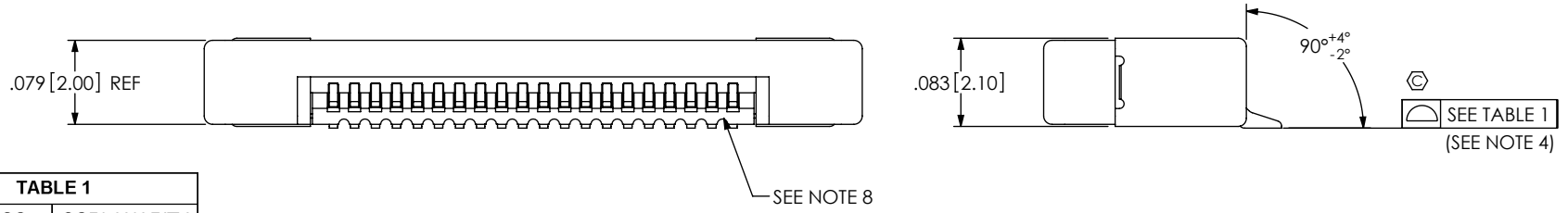
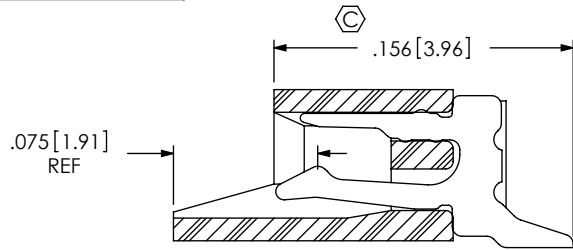


TABLE 1	
No OF POS.	COPLANARITY
-04 THRU -30	.0040[0.101]
-31 THRU -50	.0060[0.152]

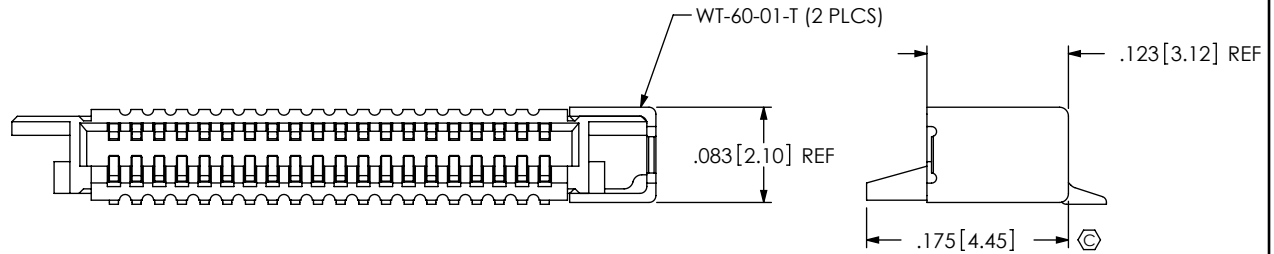
- NOTES:
- ⊕ REPRESENTS A CRITICAL DIMENSION.
 - MAXIMUM BURR ALLOWANCE: .0010[.025]
 - MINIMUM PUSHOUT FORCE: 6 OZ.
 - CO-PLANARITY INCLUDES TAILS AND WELD TABS.
 - WELD TAB RETENTION: 6 OZ.
 - BREAKOFF BURR NOT TO EXCEED .007[0.18] AND MUST REMAIN ATTACHED.
 - PIN 1 TO HAVE ORIENTATION AS SHOWN. ⊕
 - VOIDS TO BE RAN AT VENDOR'S DISCRETION.

UNLESS OTHERWISE SPECIFIED, DIMENSIONS ARE IN INCHES. TOLERANCES ARE: DECIMALS ANGLES .XX: ±.01[0.3] 2° .XXX: ±.005[0.13] .XXXX: ±.0020[0.051]	PROPRIETARY NOTE THIS DOCUMENT CONTAINS INFORMATION CONFIDENTIAL AND PROPRIETARY TO SAMTEC, INC. AND SHALL NOT BE REPRODUCED OR TRANSFERRED TO OTHER DOCUMENTS OR DISCLOSED TO OTHERS OR USED FOR ANY PURPOSE OTHER THAN THAT WHICH IT WAS OBTAINED WITHOUT THE EXPRESSED WRITTEN CONSENT OF SAMTEC, INC.		
		520 PARK EAST BLVD, NEW ALBANY, IN 47150 PHONE: 812-944-6733 FAX: 812-948-5047 e-Mail: info@SAMTEC.com code 55322	
MATERIAL: DO NOT SCALE DRAWING SHEET SCALE: 6:1 HOUSING: LCP, COLOR: NATURAL CAM SLIDER: LCP, COLOR: BLACK CONTACT: PHOS BRONZE WELD TAB: BRASS MAX FLASH ALLOWED: .002 MAX GATE VESTIGE: .002 F:\DWG\MISC\MKTG\ZF5S-XX-XX-WT-X-XX-MKT.SLDDRW		DESCRIPTION: ZERO INSERTION FORCE .5mm ASSEMBLY	
		DWG. NO. ZF5S-XX-XX-XX-WT-X-XX	
		BY: G PURVIS 01/20/2011 SHEET 1 OF 5	

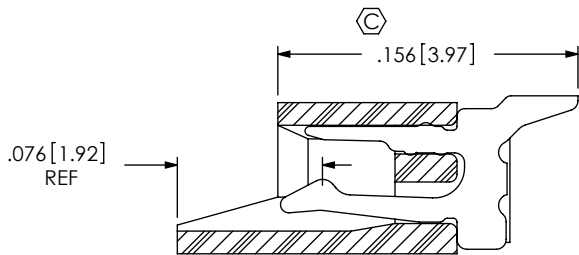
REVISION N



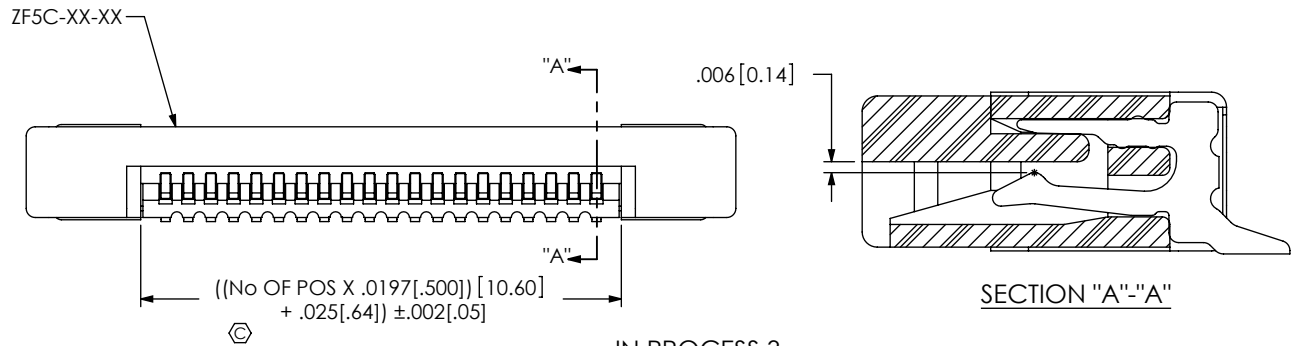
-01 LEAD STYLE
IN PROCESS 1
FILL C-297-01-X



IN PROCESS 2
FILL WT-60-01-X
(SOME FEATURES REMOVED FOR CLARITY)

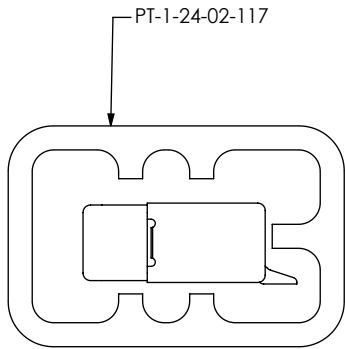


-02 LEAD STYLE
IN PROCESS 1
FILL C-298-01-X

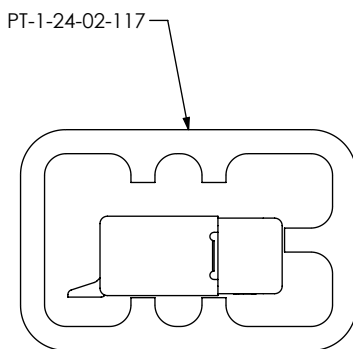


IN PROCESS 3
INSERT ZF5C-XX-XX
(CAM SHOWN IN CLOSED POSITION)

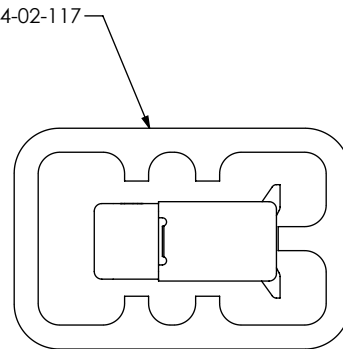
PACKAGING VIEWS
(-TR OPTION SHOWN ON SHEET 4)
[PARTS TO HAVE POSITION #1 LOADED IN
SAME DIRECTION AS ARROW ON TUBE]



-01 LEAD STYLE
(USE TP-24-02 PLUG)



-02 LEAD STYLE
(USE TP-24-02 PLUG)



-03 LEAD STYLE
(USE TP-24-02 PLUG)

F:\DWG\MISC\MKTG\ZF5S-XX-XX-WT-X-XX-MKT.SLDDRW

PROPRIETARY NOTE
THIS DOCUMENT CONTAINS INFORMATION
CONFIDENTIAL AND PROPRIETARY TO
SAMTEC, INC. AND SHALL NOT BE REPRODUCED
OR TRANSFERRED TO OTHER DOCUMENTS OR
DISCLOSED TO OTHERS OR USED FOR ANY
PURPOSE OTHER THAN THAT WHICH IT WAS
OBTAINED WITHOUT THE EXPRESSED WRITTEN
CONSENT OF SAMTEC, INC.

DO NOT SCALE DRAWING

SHEET SCALE: 10:1



520 PARK EAST BLVD, NEW ALBANY, IN 47150
PHONE: 812-944-6733 FAX: 812-948-5047
e-Mail info@SAMTEC.com code 55322

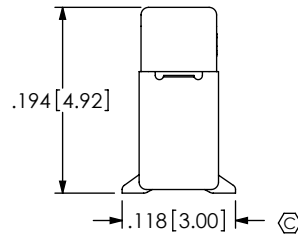
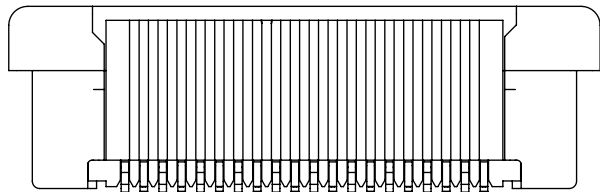
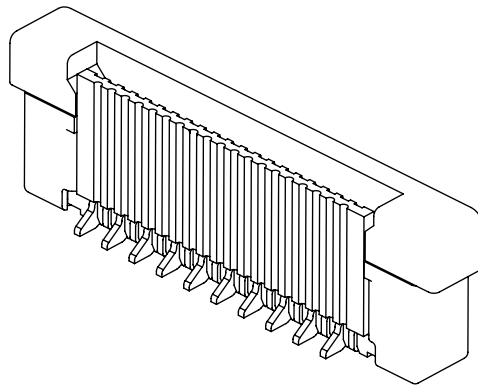
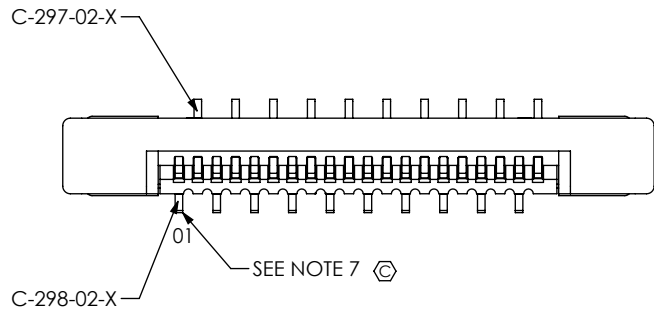
DESCRIPTION:
ZERO INSERTION FORCE .5mm ASSEMBLY

DWG. NO. ZF5S-XX-XX-XX-WT-X-XX

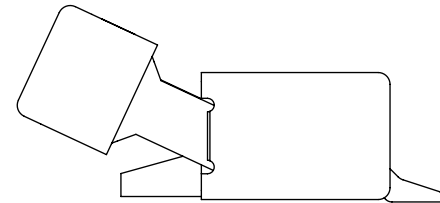
BY: G PURVIS 01/20/2011 SHEET 2 OF 5

FIG 2

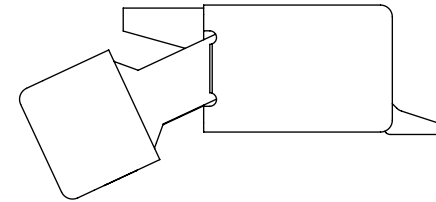
-03 LEAD STYLE
(DIFFERENT AS SHOWN, OTHERWISE SAME AS FIG 1)
(ZF5-20-03-T-WT SHOWN)



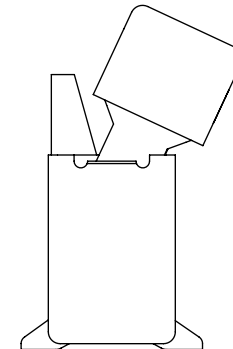
APPLICATION VIEWS



-01 LEAD STYLE SHOWN
(WITH CAM OPEN)

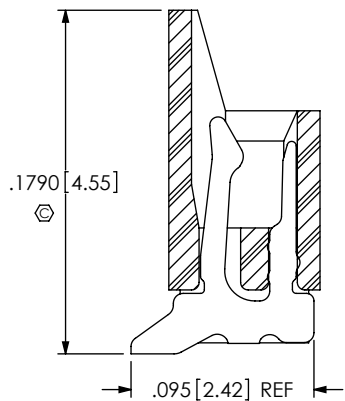


-02 LEAD STYLE SHOWN
(WITH CAM OPEN)

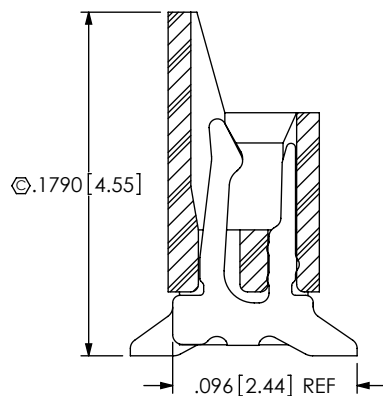


-03 LEAD STYLE SHOWN
(WITH CAM OPEN)

F:\DWG\MISC\MKTG\ZF5S-XX-XX-WT-X-XX-MKT.SLDDRW



-03 LEAD STYLE
IN PROCESS 1A
FILL C-298-02-X
(SAME AS IN PROCESS 1 FOR -01 LEAD
STYLE EXCEPT AS SHOWN)
(ODD POSITIONS FILLED ONLY)



-03 LEAD STYLE
IN PROCESS 1B
FILL C-297-02-X
(SAME AS IN PROCESS 1 FOR -01 LEAD
STYLE EXCEPT AS SHOWN)
(EVEN POSITIONS FILLED ONLY)

PROPRIETARY NOTE

THIS DOCUMENT CONTAINS INFORMATION
CONFIDENTIAL AND PROPRIETARY TO
SAMTEC, INC. AND SHALL NOT BE REPRODUCED
OR TRANSFERRED TO OTHER DOCUMENTS OR
DISCLOSED TO OTHERS OR USED FOR ANY
PURPOSE OTHER THAN THAT WHICH IT WAS
OBTAINED WITHOUT THE EXPRESSED WRITTEN
CONSENT OF SAMTEC, INC.

DO NOT SCALE DRAWING

SHEET SCALE: 5:1

samtec

520 PARK EAST BLVD, NEW ALBANY, IN 47150
PHONE: 812-944-6733 FAX: 812-948-5047
e-Mail: info@SAMTEC.com code 55322

DESCRIPTION:

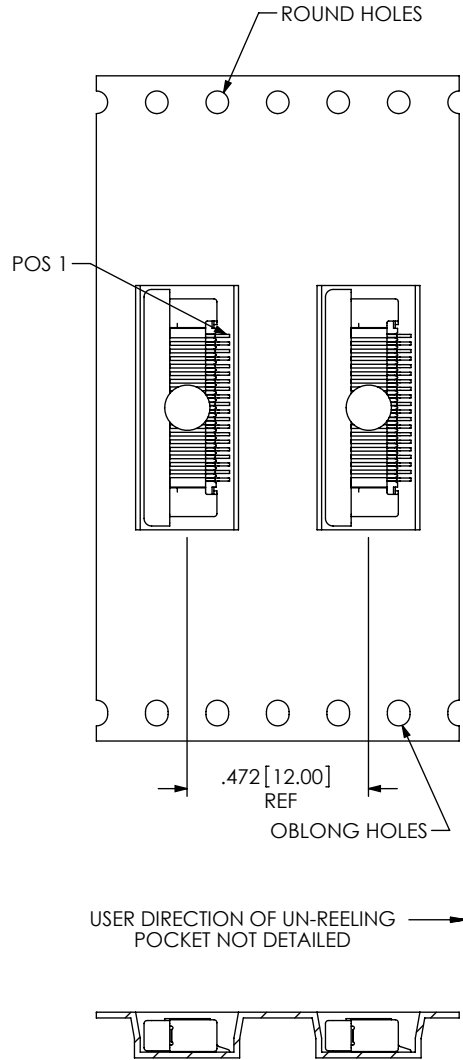
ZERO INSERTION FORCE .5mm ASSEMBLY

DWG. NO.

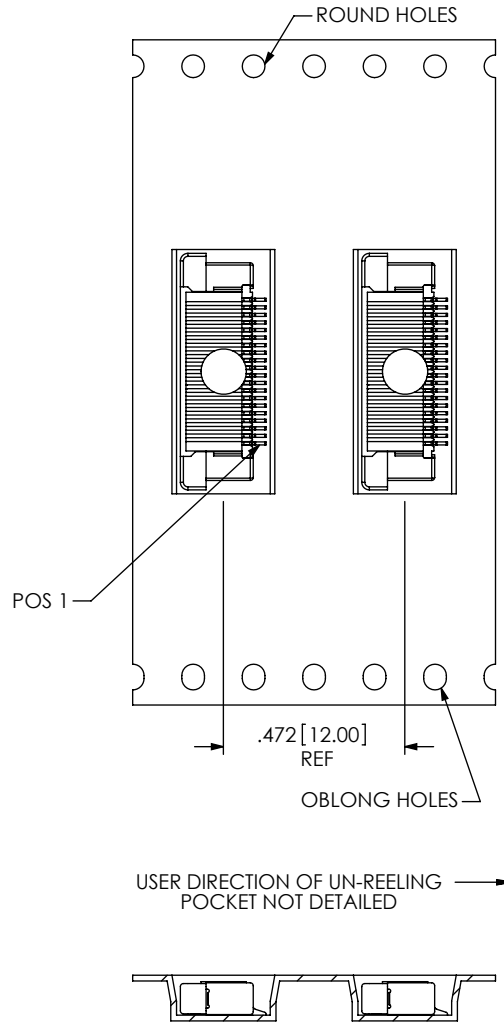
ZF5S-XX-XX-XX-WT-X-XX

BY: G PURVIS 01/20/2011 SHEET 3 OF 5

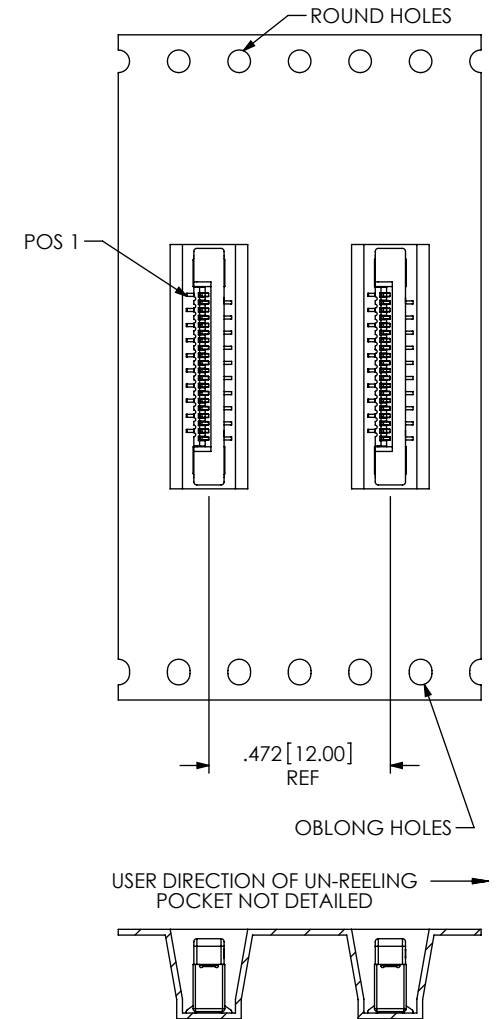
-01 LEAD STYLE
SHOWN WITH -K OPTION



-02 LEAD STYLE
SHOWN WITH -K OPTION



-03 LEAD STYLE



PROPRIETARY NOTE

THIS DOCUMENT CONTAINS INFORMATION CONFIDENTIAL AND PROPRIETARY TO SAMTEC, INC. AND SHALL NOT BE REPRODUCED OR TRANSFERRED TO OTHER DOCUMENTS OR DISCLOSED TO OTHERS OR USED FOR ANY PURPOSE OTHER THAN THAT WHICH IT WAS OBTAINED WITHOUT THE EXPRESSED WRITTEN CONSENT OF SAMTEC, INC.

SHEET SCALE: 2:1



520 PARK EAST BLVD, NEW ALBANY, IN 47150
PHONE: 812-944-6733 FAX: 812-948-5047
e-Mail: info@SAMTEC.com code 55322

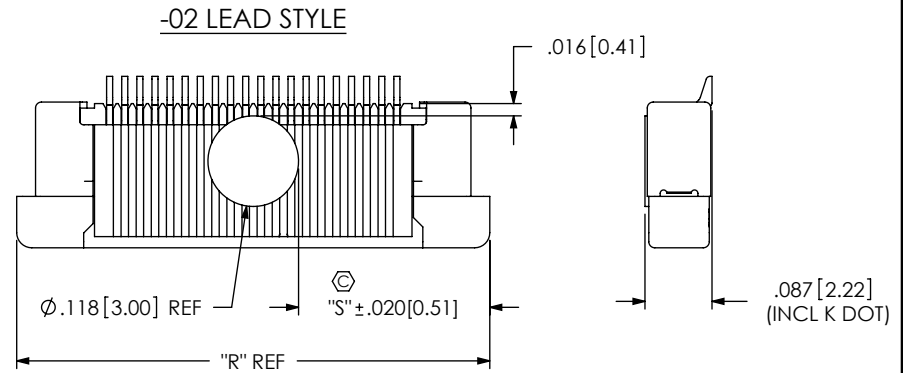
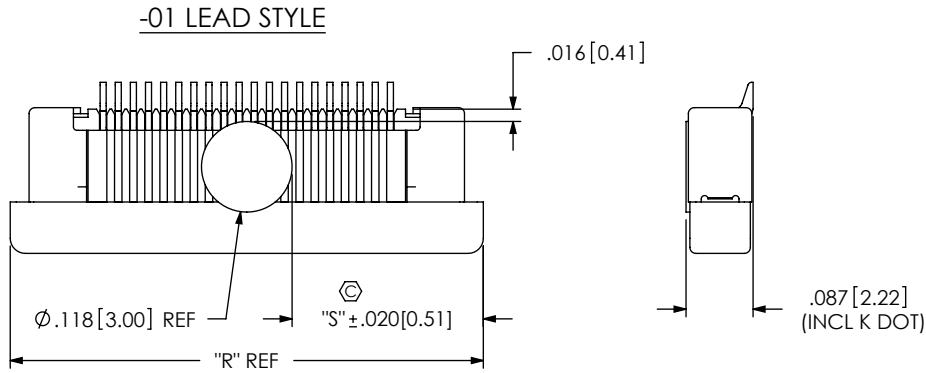
DESCRIPTION:
ZERO INSERTION FORCE .5mm ASSEMBLY

DWG. NO. ZF5S-XX-XX-XX-WT-X-XX

BY: G PURVIS 01/20/2011 SHEET 4 OF 5

FIG 4
 KAPTON PAD
 (USE K-DOT-.118-.219-.005)
 (DIFFERENT AS SHOWN, OTHERWISE SAME AS FIG 1)

NOTE: "R" = OVERALL LENGTH
 "S" = $\{("R" - .118[3.00]) / 2\} \pm .020[.51]$



PROPRIETARY NOTE

THIS DOCUMENT CONTAINS INFORMATION CONFIDENTIAL AND PROPRIETARY TO SAMTEC, INC. AND SHALL NOT BE REPRODUCED OR TRANSFERRED TO OTHER DOCUMENTS OR DISCLOSED TO OTHERS OR USED FOR ANY PURPOSE OTHER THAN THAT WHICH IT WAS OBTAINED WITHOUT THE EXPRESSED WRITTEN CONSENT OF SAMTEC, INC.

SHEET SCALE: 4:1



520 PARK EAST BLVD, NEW ALBANY, IN 47150
 PHONE: 812-944-6733 FAX: 812-948-5047
 e-Mail info@SAMTEC.com code 55322

DESCRIPTION:
 ZERO INSERTION FORCE .5mm ASSEMBLY

DWG. NO. ZF5S-XX-XX-XX-WT-X-XX

BY: G PURVIS 01/20/2011 SHEET 5 OF 5

X-ON Electronics

Largest Supplier of Electrical and Electronic Components

Click to view similar products for [FFC & FPC Connectors](#) category:

Click to view products by [Samtec](#) manufacturer:

Other Similar products are found below :

[HFW11R-1STE1H1LF](#) [FH29B-100S-0.2SHW\(99\)](#) [FA5S008HP1](#) [FH29B-120S-0.2SHW\(99\)](#) [FH29B-80S-0.2SHW\(99\)](#) [FHS-16](#) [FPH-2022G](#)
[52610-1075](#) [52610-1275](#) [52610-1934](#) [XF3M\(1\)-1415-1B-R100](#) [501864-3091-TR225](#) [0525594033](#) [086210010340800](#) [086222026001800](#)
[52271-2869-CUT-TAPE](#) [62674-201121DLF](#) [62684-36210E9ALF](#) [52610-1675](#) [52746-1671-TR250](#) [10051922-2810EHLF](#) [6-520415-9](#)
[BD021-09A-A1-0350-0200-0550-LD](#) [SFV6R-1STE9HLF](#) [XF3M-2915-1B-R100](#) [1658549-1](#) [62674-221121ALF](#) [46214008010800](#)
[046298003000883](#) [151660622](#) [842-816-2630-035](#) [AYF530665TA](#) [AYF351525](#) [046296011930846+](#) [AYF352325A](#) [046254020000800+](#)
[FH19C-13S-0.5SH\(99\)](#) [FH39J-51S-0.3SHW\(99\)](#) [AYF355125A](#) [AYF530365TA](#) [FH29B-44S-0.2SHW\(99\)](#) [SFW5R-2STAE9LF](#) [AYF351125A](#)
[AYF350725A](#) [62684-502100AHLF](#) [FH39-61S-0.3SHW\(99\)](#) [AYF414035A](#) [10064555-172520HLF](#) [AYF212335A](#) [504754-2500](#)