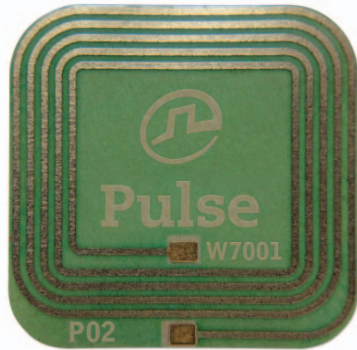


Pulse Part Number W7001



The W7001 is a small flexible Near Field Communication (NFC) antenna ideal for embedded products such as tablets, laptops, and payment terminal devices. It is intended for both secure payment or security access applications.

The W7001 is a thin, flexible antenna that can be fed with customer-supplied spring clips, contacts, direct-solder methods or with the use of Pulse's own W9908/W9909 C-clips. Mounting the antenna is easily accomplished using the thin but aggressive holding adhesive backing. It is recommended for mounting on the inside of plastics covers or carriers embedded in the device.

### Features

- Very thin structure
- Easily assembles to device covers or mechanics
- Well-known antenna concept, reliable technology
- RoHS compliant product

### Applications

- Mobile devices
- Payment terminals
- Sharing / pairing

### Standards

- ISO/IEC 14443 A / B (MIFARE)
- ISO/IEC 18092
- JIS X 6319-4/FeliCa)
- NFCIP-1 / ECMA 3-40
- NFC Forum Tag 4

## Electrical Specifications

Frequency [MHz]*	13.56
Reading Distance [mm]*	40 EMVCo 33 Grid Scan (avg)
Impedance [ $\Omega$ ]*	50 / 80
Self Resonance Frequency [MHz]**	100
Inductance [ $\mu$ H]**	0.9
Resistance [ $\Omega$ ]**	1.55
Q-Factor**	49
Matched Q Value***	5-30

## Environmental Specifications

Operating Temperature [ $^{\circ}$ C]	-40 to +85
---------------------------------------	------------

## Mechanical Specifications

Color	Green
Dimensions [in/mm]	.98 x .98 x .005 (25 x 25 x 0.12)

**NOTE:** Electrical characteristics depend on distance from metal objects and the location of the antenna on the device. Measured in free space

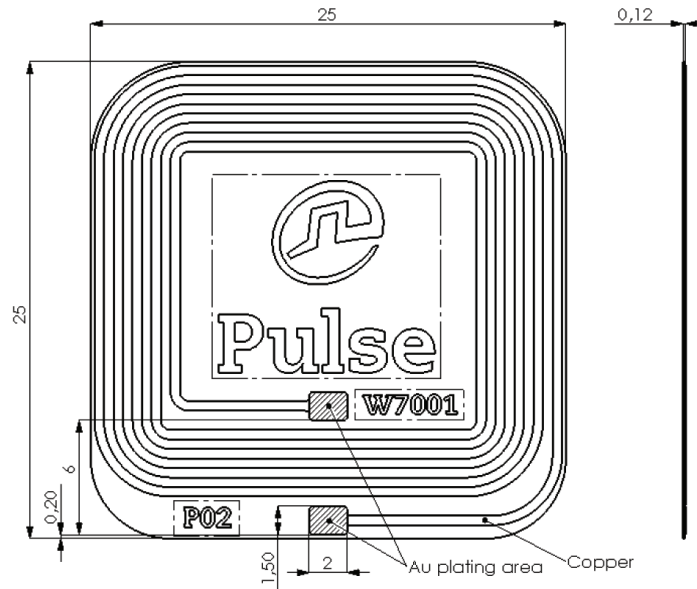
\* With matching network

\*\* Bare coil without any matching network

\*\*\* With matching network (adjustable). Typical network picture refer to page 2.

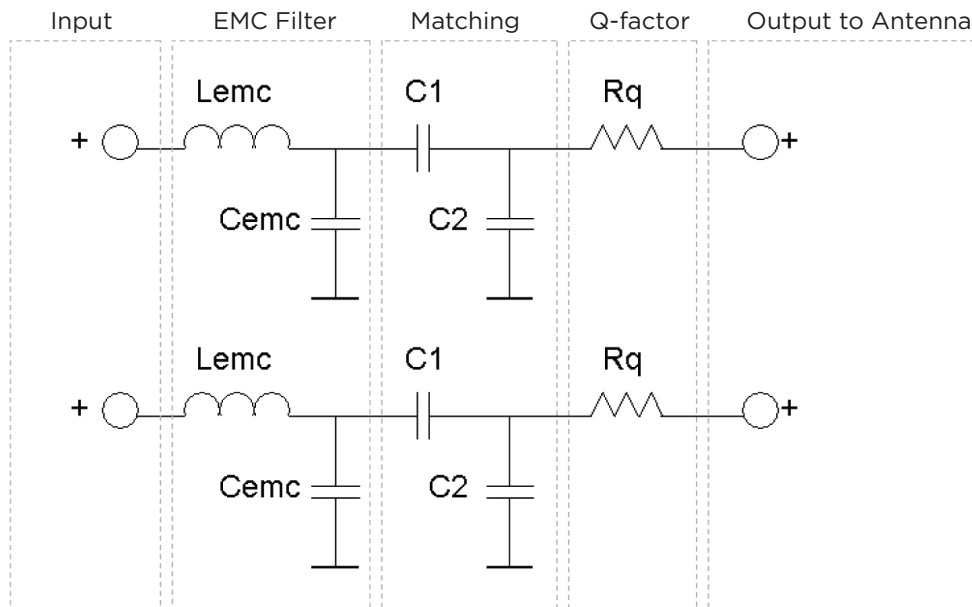
# NFC Flex Stamp Antenna

Pulse Part Number W7001



## Recommended matching network

Component	Value	Note
L <sub>mc</sub>	560 nH	Filter resonance at 15.4 MHz
C <sub>mc</sub>	180 pF	Filter resonance at 15.4 MHz
C1	35 pF	Antenna matching component, value depends on the antenna environment Antenna matching
C2	280 pF	Antenna matching component, value depends on the antenna environment Antenna matching
R <sub>q</sub>	0 Ohm	R <sub>q</sub> resistors used to lower Q-value



## X-ON Electronics

Largest Supplier of Electrical and Electronic Components

*Click to view similar products for [Antennas](#) category:*

*Click to view products by [Pulse](#) manufacturer:*

Other Similar products are found below :

[CCT FM1](#) [ABFT](#) [AD-NM-SMAF 001-0021](#) [CTC110](#) [MAF94149](#) [EXE902SF](#) [MMCX-SMA-100](#) [PDQ24496-91NF](#) [GAN30084EU](#) [930-033-R](#) [A08-HABUF-P5I](#) [AAF95035](#) [DG-ANT-20DP-BG-B](#) [APAMPGJ-141](#) [1513563-1](#) [OF86315-FNF](#) [OP24516DS-91NM](#) [A09-HASM-7](#) [EXE902MD](#) [EXE902SM](#) [SPDA17806/2170LAR](#) [APAMPG-117](#) [GPS1575SP26-004](#) [GPS15MGSMA](#) [CMD69273P-30NF](#) [CMQ69273-30NF](#) [RD2458-5-OTDR-NM](#) [RD2458-5-RSMA](#) [TRAB24/49003](#) [W4120ER5000](#) [W6102B0100](#) [YE572113-30RSMM](#) [108-00014-50](#) [SPDA17RP918](#) [OP24516SX-91NM](#) [OP24516SX-91RSMM](#) [CMQ69273P-30NF](#) [CMS69273-30NF](#) [CMS69273P-30NF](#) [TRAB24003N](#) [TRAB24003NP](#) [TRAB8213NP](#) [TRAB8903](#) [A09-Y8NF](#) [A09-Y11NF](#) [A09-HSM-7](#) [A09-F8NF-M](#) [A09-F5NF-M](#)