

(0,80 mm) .0315"

SEM, SEMS, SEML SERIES

MICRO TIGER EYE™ SOCKET

SPECIFICATIONS

For complete specifications and recommended PCB layouts see www.samtec.com?SEM, www.samtec.com?SEMS or www.samtec.com?SEML

Insulator Material: Black Liquid Crystal Polymer
Contact Material: BeCu
Plating: Au or Sn over 50µ" (1,27 µm) Ni
Operating Temp Range: -55°C to +125°C
Current Rating (SEM/TEM): 2,6 A per pin (1 pin powered per row)
RoHS Compliant: Yes

Processing:
Lead-Free Solderable: Yes
SMT Lead Coplanarity: (0,10 mm) .004" max

SEM, SEML Mates with:
TEM

SEMS Mates with:
TEMS

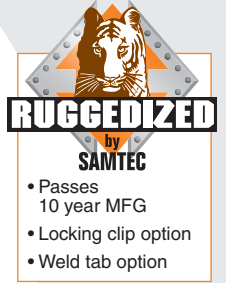


TEM/SEM 6 mm Stack Height	Rated @ 3dB Insertion Loss*
Single-Ended Signaling	12 GHz / 24 Gbps
Differential Pair Signaling	17 GHz / 34 Gbps

*Test board losses de-embedded from performance data.
 Complete test data available at www.samtec.com?SEM or contact.sig@samtec.com

High reliability Tiger Eye™ contacts

Choice of mated heights



ALSO AVAILABLE (MOQ Required)

- Other sizes
- Other platings
- Contact Samtec.

28+ Gbps

Weld tab

RECOGNITIONS

For complete scope of recognitions see www.samtec.com/quality



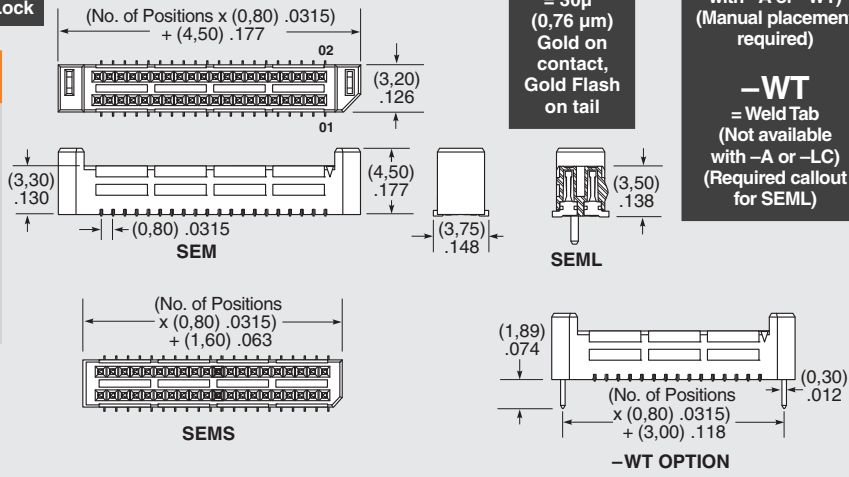
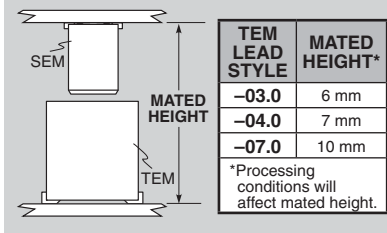
OTHER SOLUTIONS

- Board Stacking: See SFM, TFM Series
 - Cable Assemblies: See SFSD, TFSD Series
- Contact Samtec.



SEM = Tiger Eye™ Strip SEMS = Tiger Eye™ Slim Strip SEML = Tiger Eye™ Friction Lock	05, 10, 15, 20, 25 30, 35, 40, 45, 50 (SEM/SEML only) (Standard sizes)	-03.0 = 6 mm, 7 mm or 10 mm Stack Height when mated with TEM/TEMS Series (SEML only available with 6 mm Stack Height)	-FG = Gold Flash -G = 10µ" (0,25 µm) Gold on contact, Gold Flash on tail -H = 30µ" (0,76 µm) Gold on contact, Gold Flash on tail	Leave blank for SEMS -A = Alignment Pin (Not available with -LC or -WT) -LC = Locking Clip (Not available with -A or -WT) (Manual placement required) -WT = Weld Tab (Not available with -A or -LC) (Required callout for SEML)	-K = (3,50 mm) .138" DIA Polyimide film Pick & Place Pad (Required for SEMS) -TR = Tape & Reel (Required for SEMS)
---	---	--	---	---	---

MATED HEIGHT



Note: Some sizes, styles and options are non-standard, non-returnable.

X-ON Electronics

Largest Supplier of Electrical and Electronic Components

Click to view similar products for [Board to Board & Mezzanine Connectors](#) category:

Click to view products by [Samtec](#) manufacturer:

Other Similar products are found below :

[10135583-642402LF](#) [89885-310LF](#) [589158040000018](#) [6-1393048-0](#) [68683-613](#) [MDF7-12DP-2.54DSA](#) [MDF7-18P-2.54DSA\(01\)](#) [MDF7-20DP-2.54DSA](#) [MDF7-26D-2.54DSA\(55\)](#) [MDF7-3P-2.54DSA\(01\)](#) [MDF7B-3P-2.54DSA\(55\)](#) [MDF7C-11P-2.54DSA\(55\)](#) [MDF7C-18P-2.54DSA\(55\)](#) [MDF7C-5P-2.54DSA\(01\)](#) [MDF7P-5P-2.54DSA\(55\)](#) [75234-0516](#) [FCN-230C068-11](#) [FCN-268F012-G/BD](#) [FCN-268F036-G/BD](#) [FCN-268M012-G/0D](#) [FCN-268M024-G/1D](#) [FCN-360C008-C](#) [FCN-360C040-C](#) [FCN-723J004/1](#) [MIS-048-01-F-D-DP-K](#) [832-10-034-10-001000](#) [93696-325LF](#) [11828-1FA](#) [AXK630345P](#) [18097-0013](#) [ICA-328STT](#) [2007042-2](#) [304400-2](#) [FCN-214Q030-G/0](#) [FCN-215Q040-G/0](#) [FCN-230C068-ESA](#) [FCN-234P048-G/0](#) [FCN-235D050-G/C](#) [FCN-360A3](#) [FCN-360C040-B](#) [210-93-314-41-105000](#) [2-22603-0](#) [379-064-521-202](#) [MDF7-12P-2.54DSA\(01\)](#) [MDF7-16P-2.54DS\(56\)](#) [MDF7-40DP-2.54DSA\(55\)](#) [MDF7-8P-2.54DSA\(55\)](#) [MDF7B-16P-2.54DSA\(55\)](#) [AXG720047](#) [5031084030](#)