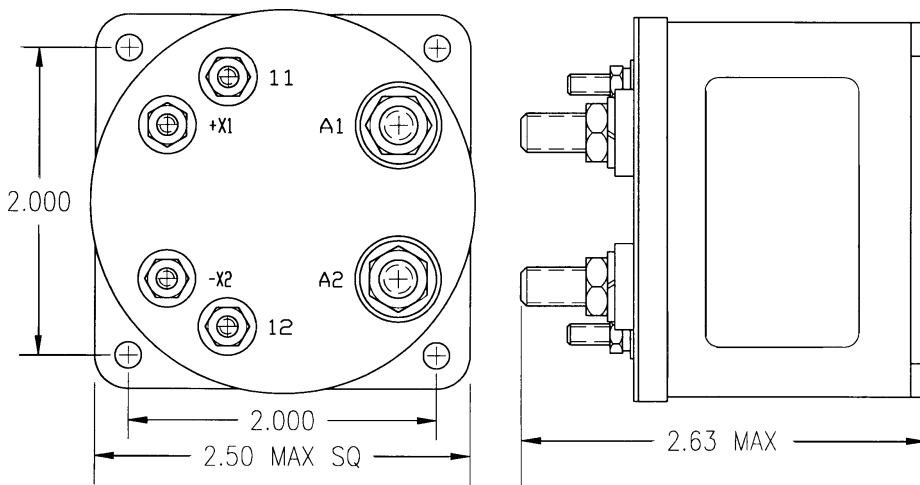


# SD167A SPST, 100 Amps, 28 VDC

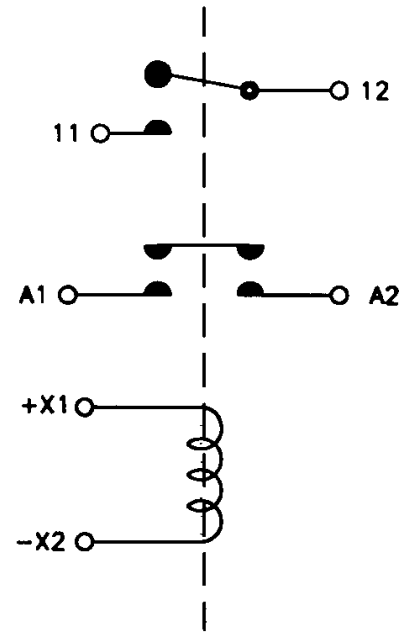
**Features:**

- SPST Main Contacts
- 28 VDC
- 100 Amps
- High Reliability
- Meets many requirements of MIL-R-6106
- Light Weight Construction



Dimensions for this product are expressed in inches. Multiply values by 25.4 for millimeters.

**CONTACTOR CONFIGURATION**



**Notes:**

For factory-direct application assistance, contact the HARTMAN product team at (419) 521-9500, Fax (419) 526-2749.

© 2004 by Tyco Electronics Corporation. All Rights Reserved. HARTMAN and TYCO are trademarks.

PRODUCT SPECIFICATIONS	
Construction	Gasket Sealed
Main Contacts:	
Configuration	SPST Side Stable
Voltage Nominal	28 VDC
Current Resistive	100 Amps
Inductive	100 Amps (10,000 Cycles)
Motor	80 Amps
Auxiliary Contacts:	
Configuration	SPST
Voltage Nominal	115/200 VAC, 400 Hz or 28 VDC
Current Resistive	5 Amps
Inductive	3 Amps
Lamp	1 Amp
Coil Data:	
Duty Cycle	Continuous
Operating Voltage	28 VDC
Operating Voltage Maximum	30 VDC
Pick-Up Voltage Maximum	18 VAC at 25°C
Drop-Out Voltage Maximum	1.5 - 7 VDC at 25°C
Coil Resistance	126 ±13 Ohms
Environmental Data:	
Operating Temperature Maximum	-55°C to +71°C
Life	
Electrical	50,000 Cycles
Mechanical	200,000 Cycles
Weight Maximum	12 Oz.

## X-ON Electronics

Largest Supplier of Electrical and Electronic Components

*Click to view similar products for te connectivity manufacturer:*

Other Similar products are found below :

[570416-000](#) [CLTEQ-M81CE-SSRELAY-4-20V](#) [D38999/24FJ4AN](#) [358838-000](#) [4-1195131-0](#) [650069-000](#) [SMD100-2](#) [CB-1022B-78](#)  
[RM707012](#) [RP410012](#) [MMS42](#) [1-640426-8](#) [2EDL4CM](#) [DTS20W19-11PD-3028-LC](#) [RM202615](#) [NC6-P104-06](#) [MSPS103B](#) [DTS26F21-41AE](#) [DTS26F21-41PE-LC](#) [DTS26F21-11SE-3028-LC](#) [1932144-1](#) [293545-4](#) [LVR125S](#) [MS27466T25F4PB](#) [CKB-38-78010](#)  
[1206SFF150F/63-2](#) [D38999/20JB35HA](#) [D38999/24WJ20PA](#) [1754138-1](#) [TE1500A2R2J](#) [DTS24F25-29PC-3028-LC](#) [D38999/24WG11HA](#)  
[D38999/24WG11HN](#) [MS27467T21F11H](#) [DJT16E21-11HA](#) [1206SFH150F/24-2](#) [DTS24F19-11SC-3028-LC](#) [DTS24F21-41HN-LC](#)  
[DTS24F21-41AN](#) [DTS24F21-41PN-LC](#) [RP330024](#) [MS27467T21F35J](#) [MS27467T21F11J](#) [MS27467T21F16H-LC](#) [MS27467T21F35H](#)  
[MS27467T21F41H-LC](#) [DJT16E21-11PA-LC](#) [DJT16E21-11HA-LC](#) [DJT16E21-11AA](#) [MS27467T21B11JA](#)