



ALPS Manufacturer of Electronic Components/Parts Catalog

12mm Square Type (Snap-in) SKHC Series

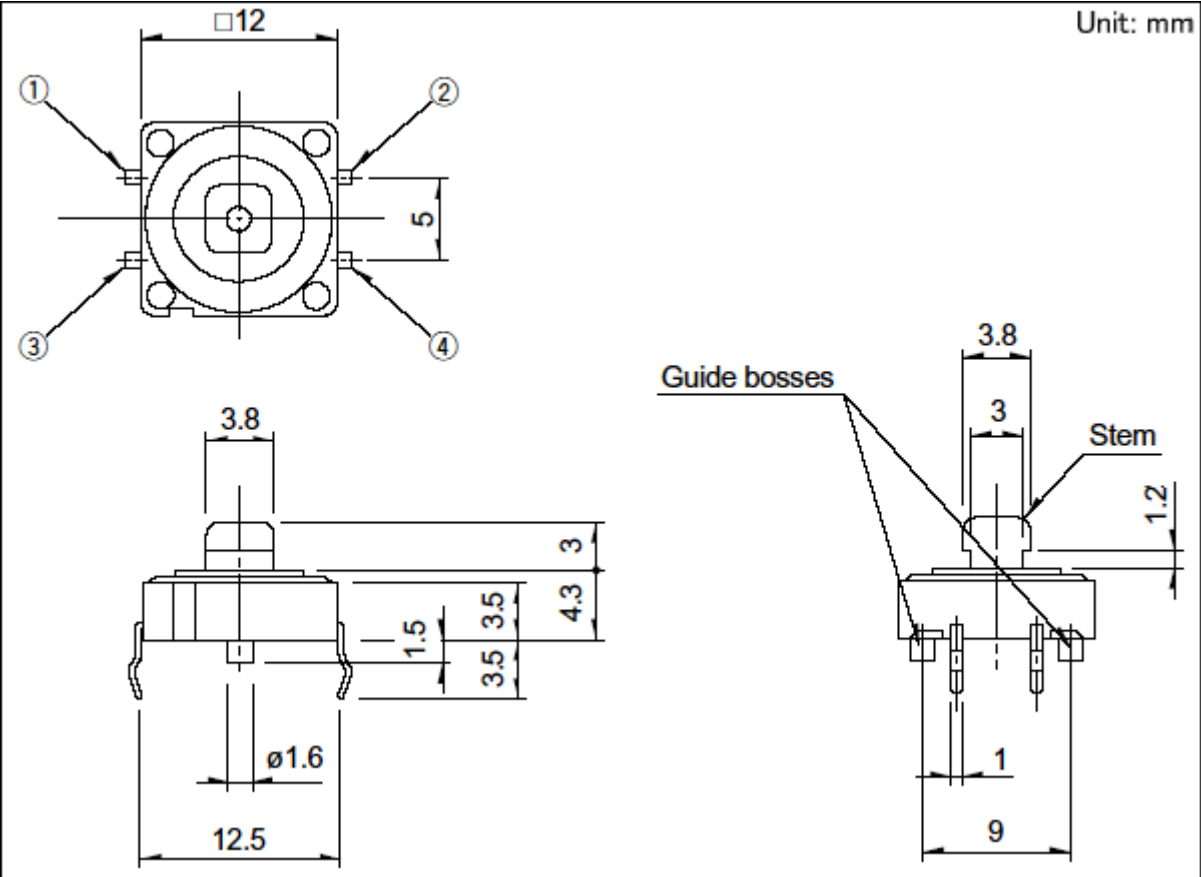
● Detail

Part number		SKHCBGA010
Type		Snap-in
Operating force		2.55N
Operating direction		Vertical
Travel		0.3mm
Operating life (5mA 5V DC)		500,000 cycles
Initial contact resistance		100mΩ max.
Stem color		Dark gray
Stem		Joint stem
Minimum order unit (pcs.)		1,000
Series type		Sharp feeling type
Operating temperature range		-30°C to +85°C
Rating (max.)		50mA 12V DC
Rating (min.)		10μA 1V DC
Electrical performance	Insulation resistance	100MΩ min. 100V DC
	Voltage proof	250V AC for 1 minute
Durability	Vibration	10 to 55 to 10Hz/min., the amplitude is 1.5mm for all the frequencies, in the 3 direction of X, Y and Z for 2 hours respectively
Environmental performance	Cold	-30±2°C for 96h
	Dry heat	80±2°C for 96h
	Damp heat	60±2°C, 90 to 95%RH for 96h
3D CAD (STEP)		
Certificate of Compliance to RoHS regulations		

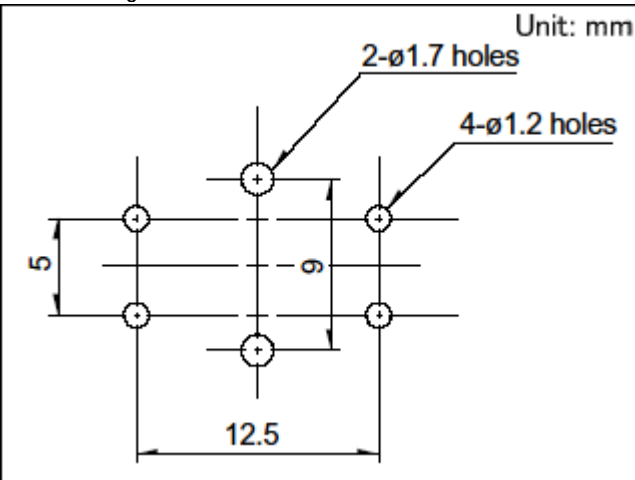
• Photo Stem color : Dark gray



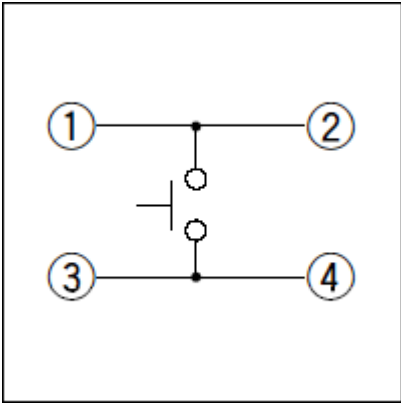
• Dimensions



• Mounting Hole Dimensions



• Circuit Diagram



●● Packing Specifications

Bulk

Number of packages (pcs.)	1 case / Japan	5,000
	1 case / export packing	15,000
Export package measurements (mm)		309×476×347

●● Soldering Conditions

Conditions for Auto-dip


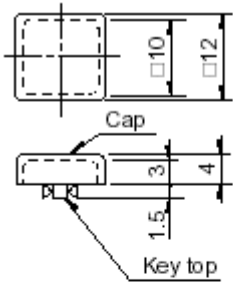
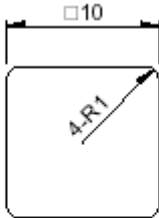
Items	Condition
Flux built-up	Mounting surface should not be exposed to fluk
Preheating temperature	Ambient temperature of the soldered surface of PC board. 100°C max.
Preheating time	60s ax.
Soldering temperature	260°C max.
Duration of immersion	5s max.
Number of soldering	2times max.

Manual Soldering

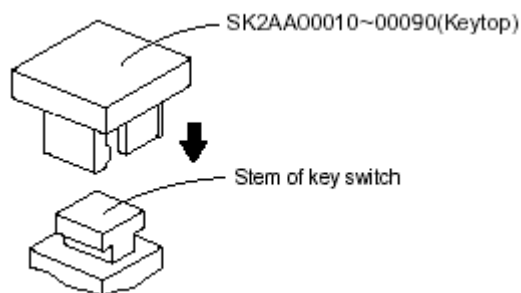
Items	Condition
Soldering temperature	350°C max.
Duration of soldering	3s max.
Capacity of soldering iron	60W max.

1. Consult with us for availability of TACT switch™ washing.
2. Prevent flux penetration from the top side of the TACT switch™.
3. Switch terminals and a PC board should not be coated with flux prior to soldering.
4. The second soldering should be done after the switch returns to normal temperature.
5. Use the flux with a specific gravity of at least 0.81.
(EC-19s-8 by TAMURA Corporation, or their equivalents.)

● Products Line of Knob


Dimensions (Unit: mm)				
	Cap			
	Clear	SK2AA00510		
	Keytop		Keytop + Cap	
	Red Blue Ivory Black	SK2AA00010 SK2AA00020 SK2AA00030 SK2AA00040	SK2AA00060 SK2AA00070 SK2AA00080 SK2AA00090	
Label dimensions (Unit: mm)	 <p style="text-align: center;">Thickness 0.1</p>			

1. The knob will be delivered together with the switch but packed separately.
2. The label is not included.
3. For SK2AA00010 to SK2AA00090 type, check its mounting direction.



» **NOTE** Notes are common to this series/models.

1. This site catalog shows only outline specifications. When using the products, please obtain formal specifications for supply.
2. Please use 1.6mm thick PC boards.
3. Please place purchase orders per minimum order unit (integer).
4. Please contact us for automotive use.

 Inquiries about Products

For more information please contact: Products Information Center.
1-7, Yukigaya-otsukamachi, Ota-ku, Tokyo, 145-8501, Japan
Phone: +81 (3) 5499-8154

COPYRIGHT(C) 1995-2012 ALPS ELECTRIC CO., LTD.

X-ON Electronics

Largest Supplier of Electrical and Electronic Components

Click to view similar products for [alps manufacturer](#):

Other Similar products are found below :

[EC12E1220301](#) [SCZA2A0100](#) [SKQRACE010](#) [SLLB310300](#) [SLLQ110100](#) [SPEE120100](#) [HMSZS1001A](#) [SPVT130101](#) [RK08H11100UD](#)
[SSSU124900](#) [EC11J0924802](#) [EC11B15202AA](#) [SPVF110100](#) [SCZA1A0300](#) [SLLB310500](#) [SLLQ120100](#) [SDKZ1R0200](#) [SPVQ811006](#)
[PTMBL1912A](#) [RK09K111F15C0B104](#) [RK09K1130D62](#) [EC21A1540401](#) [SCDG2A0101](#) [SPEF120100](#) [SSSS928500](#) [SSGM680200](#)
[EC11E09244BS](#) [UE200013](#) [RS6011Y50K](#) [SCJB1B0301](#) [RD1010030A](#) [EC10E1260507](#) [RK09L124000Z](#) [RD7081015A](#) [RDCC010002](#)
[RK14K12D0-F30-C1-C503](#) [RK09L1120A2S](#) [SRBM140700](#) [EC11E18244A5](#) [RK0972210-F30-31-B103](#) [RD1Y50010A](#) [RD1030211A](#)
[SSSS213800](#) [EC35A0930401](#) [RS30H11AA009](#) [SPVQ820502](#) [RK14K12C0A0T](#) [RS45112-0620-C0-P1-A203](#) [RK09K1110B1V](#)
[RK11K1140A3L](#)