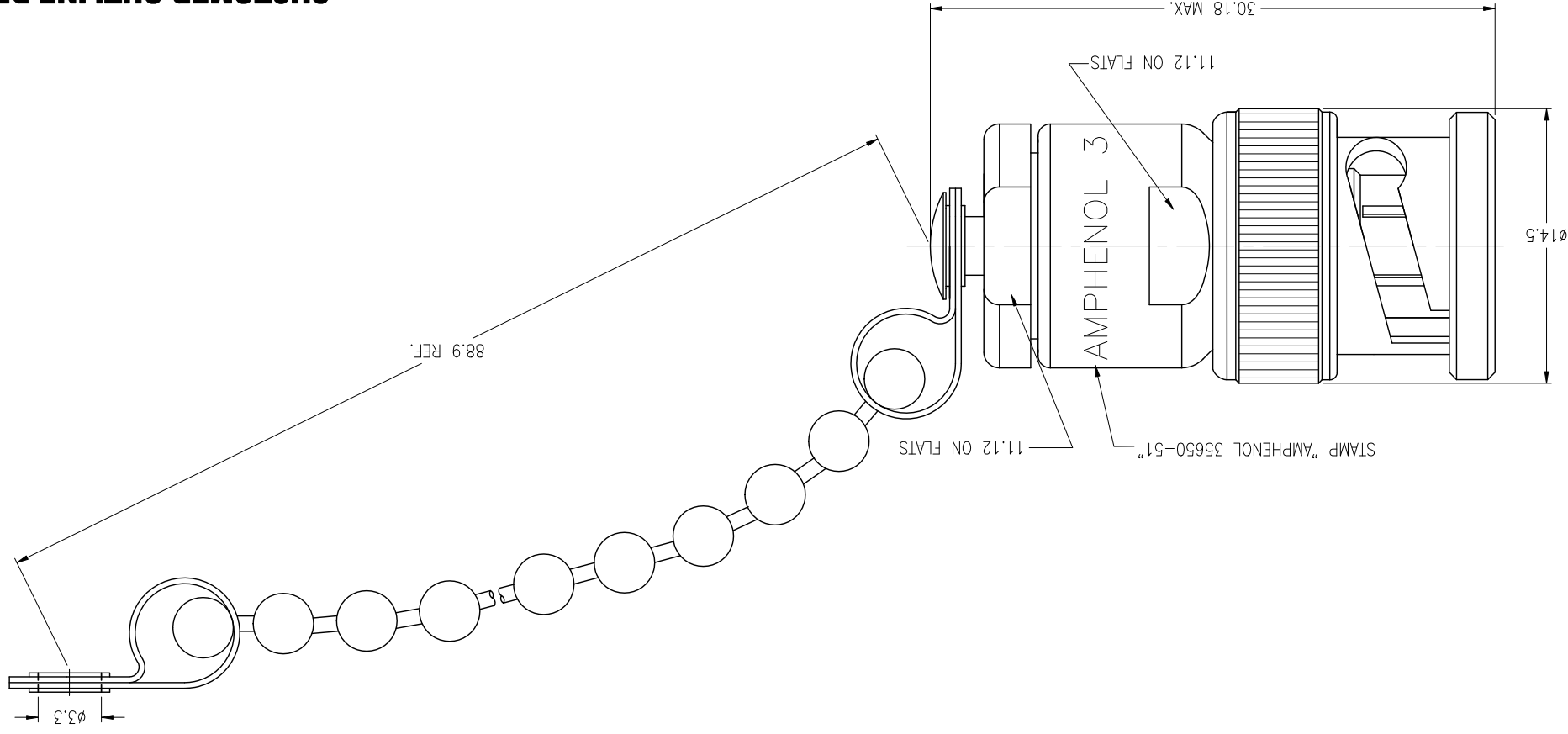


THIRD ANGLE PROJ. 

REV	DESCRIPTION	DATE	ECO	APPR
A	RELEASE TO MFG.	--	--	TONY
B	CHAIN WAS CHANGED	08-Dec-04	--	SH
C	CHAIN WAS CHANGED	17-May-05	--	AW
D	CHAIN WAS CHANGED	10-Nov-06	--	SH
E	SHELL WAS CHANGED	27-Feb-08	--	AW
AF	REDRAWN TO UPDATE FORMAT	15-Jan-09	--	SH
AG	SPRING WAS CHANGED	27-Feb-12	49157	SH

NOTES:  
 1. MATERIALS AND FINISHES  
 BODY - BRASS, NICKEL PLATING  
 CONTACT - BRASS, GOLD PLATING  
 INSULATOR - PTFE, NATURAL  
 2. ELECTRICAL:  
 A. IMPEDANCE: 51 OHM  
 B. FREQUENCY RANGE: DC TO 4 GHz  
 3. MECHANICAL:  
 A. DURABILITY: 500 CYCLES MIN.  
 B. TEMPERATURE RANGE: - 65°C to +165°C



**CUSTOMER OUTLINE DRAWING**  
 ALL OTHER SHEETS ARE FOR INTERNAL USE ONLY

UNLESS OTHERWISE SPECIFIED, DIMENSIONS ARE IN METRIC AND TOLERANCES ARE: <math>\pm 0.5\text{mm}</math> <math>\pm 0.1\text{mm}</math> <math>0.5 - 6\text{mm}</math> <math>\pm 0.2\text{mm}</math> <math>6 - 30\text{mm}</math> <math>\pm 0.3\text{mm}</math> <math>30 - 120\text{mm}</math> <math>\pm 1.0\text{mm}</math> ANGLES <math>\pm 1.0^\circ</math>		NOTICE - These drawings, specifications, or other data (1) are, and remain the property of Amphenol Corp. (2) must be returned upon request; and (3) are confidential and not to be disclosed to any person other than those to whom they are given by Amphenol Corp. The furnishing of these drawings, specifications, or other data by Amphenol Corp., or to any other person for any purpose is not to be regarded by implication or otherwise in any manner licensing, granting rights or permitting such holder or any other person to manufacture, use or sell any product, process or design, patented or otherwise, that may in any way be related to or disclosed by said drawings, specifications, or other data.	
MATERIAL	T.DENG ENGINEER	DATE 23-Feb-12	DATE 23-Feb-12
REFERENCE	S.LI ENGINEER	DATE 23-Feb-12	DATE 23-Feb-12
FINISH	S.HSIEH APPROVED	SCALE: 3/1	DWG SIZE B
F:\DWG\CNPD\35650\51-AGSZ		REV AG	PART NO. 35650-51
DRAWING NO. 35650-51		ITEM NO. 35650-51	
Danbury CT USA, Tainan Taiwan, Shenzhen China www.amphenolrf.com		Amphenol RF	

## X-ON Electronics

Largest Supplier of Electrical and Electronic Components

*Click to view similar products for [RF Connector Accessories](#) category:*

*Click to view products by [Amphenol](#) manufacturer:*

Other Similar products are found below :

[R280461210](#) [89674-0712](#) [F702RX24](#) [FERRULE-174](#) [9-225381-1](#) [9-228783-0](#) [R125802000](#) [R125812001](#) [R141805000](#) [R141842000](#)  
[R141862000W](#) [R161853000W](#) [R161862000](#) [R161862000W](#) [R176811000](#) [R280752000](#) [R280907000](#) [R694261906](#) [RFI155-13-D4](#) [RFI21-13](#)  
[RFI3157-7](#) [RFI75-13-D2](#) [RFI75-3](#) [RFI75-4-D2](#) [RFI97-13](#) [IPP-2013](#) [2098-0294-00](#) [2098-3251-94](#) [RUBBER-CAP-BNC](#) [9-225381-0](#) [9-](#)  
[329099-2](#) [9-332224-1](#) [FERRULE-223](#) [202102-11](#) [213337-1](#) [220222-2](#) [24092671A](#) [24092678A](#) [R161841000](#) [R161841000W](#) [R280510000](#)  
[R282862060](#) [RFI155-1](#) [RFI25-12-D3](#) [RFI25-5](#) [RFI75-12-D2](#) [RFI75-4-D10](#) [RFI75-4-D3](#) [RFI75-6](#) [RFI75TL-12-D3](#)