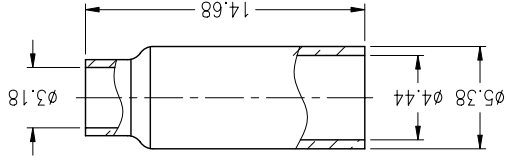
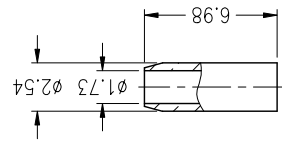
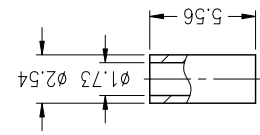
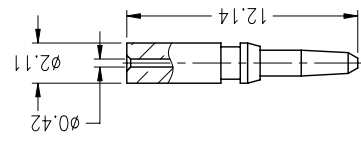
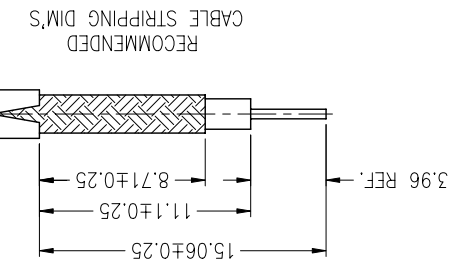
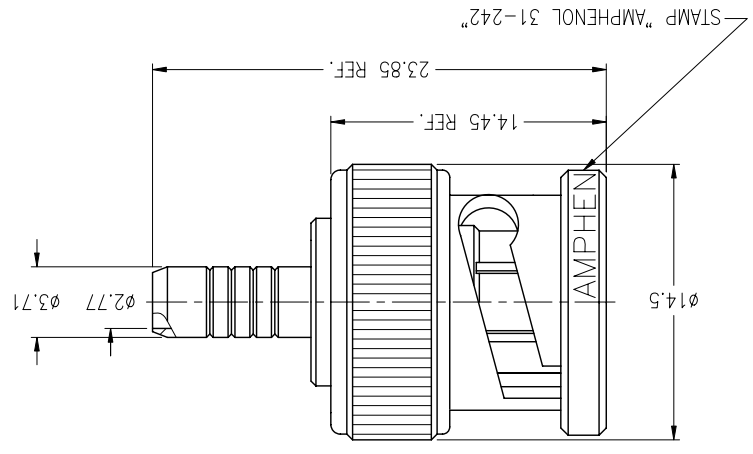


NOTES:
 1. MATERIALS AND FINISHES(PLATING THICKNESS IN MICRO-INCHES):
 BODY - BRASS, NICKEL PLATING
 CONTACT - BRASS, GOLD PLATING
 INSULATOR - PTFE, NATURAL
 ELECTRICAL:
 A. IMPEDANCE: 50 OHM
 B. FREQUENCY RANGE: DC 0-4 GHz
 C. DIELECTRIC WITHSTANDING VOLTAGE: 1500 VRMS, MIN.
 MECHANICAL:
 A. DURABILITY: 500 CYCLES MIN.
 B. TEMPERATURE RANGE: - 65°C to +165°C
 4. SOLDER CONTACT TO CABLE
 WHEN CRIMPING CONTACT PIN TO CABLE, CRIMP WITH AMPHENOL TOOL 227-944 (M22520/5-01) AND DIE SET 227-1221-09, CAVITY 'B' (M22520/5-09, CLOSURE 'B')
 5. WHEN CRIMPING FERRULE TO CABLE, CRIMP WITH AMPHENOL TOOL 227-944 (M22520/5-01) AND DIE SET 227-1221-09, CAVITY 'B' (M22520/5-09, CLOSURE 'B')
 6. USE WITH BELDEN 9221 AND RG-179/U & 187/U CABLES.



UNLESS OTHERWISE SPECIFIED, DIMENSIONS ARE IN METRIC AND TOLERANCES ARE:
 < 0.5mm ±0.05mm
 0.5 - 6mm ±0.1mm
 6 - 30mm ±0.2mm
 30 - 120mm ± 0.3mm
 ANGLES ±1°
 NOTICE - These drawings, specifications, or other data (1) are, and remain the property of Amphenol Corp. (2) must be returned upon request; and (3) are confidential and not to be disclosed to any person other than those to whom they are given by Amphenol Corp. The furnishing of these drawings, specifications, or other data by Amphenol Corp., or to any other person for any purpose is not to be regarded by implication or otherwise in any manner licensing, granting rights or permitting such holder or any other person to manufacture, use or sell any product, process or design, patented or otherwise, that may in any way be related to

MATERIAL	DATE	ENGINEER	DATE	REFERENCE	DATE	FINISH
	12-Jan-11	T.DENG	12-Jan-11	S.LI	12-Jan-11	
				APPROVED		
				S.HSIEH		
				GAP FILE		

TITLE	DWG SIZE	CODE ID	REV	PART NO.
BNC PLUG MINIATURE COAX CABLE	SCALE:2.5/1	74868	S	31-242

DRAWING NO.	ITEM NO.
31-242	31-242
Amphenol RF	
Danbury CT USA, Tainan Taiwan, Shenzhen China	
www.amphenolrf.com	

CUSTOMER OUTLINE DRAWING
 ALL OTHER SHEETS ARE FOR INTERNAL USE ONLY
 THIS CONNECTOR IS COVERED BY U.S. PATENT 3439294

REV	DESCRIPTION	DATE	ECO	APPR
A2	STAMP WAS CHANGED\N/A	16-Dec-02	--	TONY
A3	APPEARANCE WAS CHANGED	15-Apr-03	--	TONY
A4	SEE SHEET 1	30-Jun-05	--	SH
B	SEE SHEET 1	06-Mar-08	--	AW
R	SEE SHEET 1	17-Mar-10	47921	SH
S	NOTE 4 WAS CHANGED\RD-DM1101100111	12-Jan-11	48420	SH

X-ON Electronics

Largest Supplier of Electrical and Electronic Components

Click to view similar products for [RF Connectors](#) / [Coaxial Connectors](#) category:

Click to view products by [Amphenol](#) manufacturer:

Other Similar products are found below :

[R125315120](#) [8915-1511-000](#) [89674-0827](#) [5916-1103-603](#) [0106-001-000](#) [6-0001-3](#) [6001-7071-019](#) [6002-7051-003](#) [6002-7551-202](#) [6059674-1](#) [619550-1](#) [630059-000](#) [M39012/25-0021](#) [M39012/79-3008](#) [M39030/3-01N](#) [M39030/3-03N](#) [M3933/25-36N](#) [6500-7071-046](#) [6501-1071-002](#) [M83723/72W2457N](#) [6769](#) [CX050L2AQ](#) [7002-1541-010](#) [7002-1572-002](#) [7003-1572-002](#) [7004-1512-000](#) [7009-1511-004](#) [7010-1511-000](#) [7029-1511-060](#) [7101-1541-010](#) [7101-1571-002](#) [7105-1521-002](#) [7145-1521-002](#) [7209-1511-011](#) [7210-1511-012](#) [7210-1511-015](#) [7210-1511-019](#) [7210-1511-040](#) [7225-1512-050](#) [7242-1511-000](#) [73137-5015](#) [73251-0111](#) [73251-0672](#) [73276-1501](#) [73366-0013](#) [73404-2300](#) [73413-6080](#) [73415-5721](#) [7405-1521-005](#) [7405-1521-802](#)