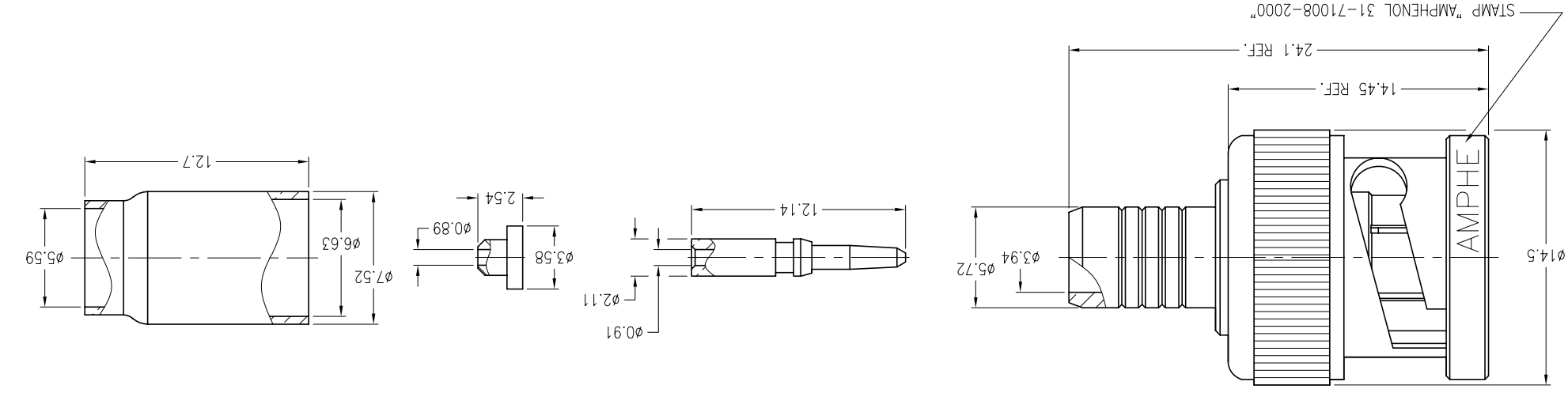
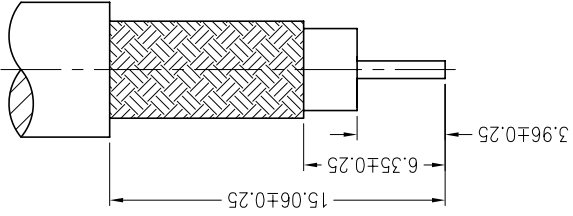


CUSTOMER OUTLINE DRAWING



RECOMMENDED
CABLE STRIPPING DIM'S



- NOTES:
 1. MATERIALS AND FINISHES:
 BODY - BRASS, NICKEL PLATING
 CONTACT - BRASS, GOLD PLATING
 INSULATOR - TEFLON, NATURAL
 2. ELECTRICAL:
 A. IMPEDANCE: 75 OHM
 B. FREQUENCY RANGE: DC 0-2 GHz
 C. DIELECTRIC WITHSTANDING VOLTAGE: 1500 VRMS, MIN.
 3. MECHANICAL:
 A. DURABILITY: 500 CYCLES MIN.
 B. TEMPERATURE RANGE: - 65°C to +165°C
 4. WHEN CRIMPING CONTACT PIN TO CABLE, CRIMP WITH AMPHENOL TOOL 227-944 (M22520/5-01) AND DIE SET 227-1221-13, CAVITY 'B', (M22520/5-13, CLOSURE 'B'), (OR CTL-1, .068 HEX)
 5. WHEN CRIMPING FERRULE TO CABLE, CRIMP WITH AMPHENOL TOOL 227-944 (M22520/5-01) AND DIE SET 227-1221-13, CAVITY 'A', (M22520/5-13, CLOSURE 'A'), (OR CTL-1, .255 HEX)
 6. USE WITH BELDEN 89259, 82259, 89108, 82108 CABLES.

REV	DESCRIPTION	DATE	APPR
A2	SEE SHEET 1	15-Apr-03	TOM
A3	SEE SHEET 1	30-Jun-05	SH
B	SEE SHEET 1	27-Jul-05	SH
B1	SEE SHEET 1	16-Aug-05	SH
C	SEE SHEET 1	14-Oct-06	SH
G	SEE SHEET 1	24-Mar-10	47967 SH

REVISIONS

THIRD ANGLE PROJ.

UNLESS OTHERWISE SPECIFIED, DIMENSIONS ARE IN METRIC AND TOLERANCES ARE:
 $\pm 0.5\text{mm}$
 $0.5 - 6\text{mm}$ $\pm 0.1\text{mm}</math>
 $6 - 30\text{mm}$ $\pm 0.3\text{mm}</math>
 $30 - 120\text{mm}$ $\pm 1.1</math>$$$

NOTICE - These drawings, specifications, or other data (1) are, and remain the

property of Amphenol Corp. (2) must be returned upon request; and (3) are confidential and not to be disclosed to any person other than those to whom they are given by Amphenol Corp. The furnishing of these drawings, specifications, or other data by Amphenol Corp., or to any other person for any purpose is not to be regarded by implication or otherwise in any manner as granting rights or permitting such holder or any other person to manufacture, use or sell any product, process or design, patented or otherwise, that may in any way be related to or disclosed by said drawings, specifications, or other data.

PROPERTY OF AMPHENOL CORP. (2) MUST BE RETURNED UPON REQUEST; AND (3) ARE CONFIDENTIAL AND NOT TO BE DISCLOSED TO ANY PERSON OTHER THAN THOSE TO WHOM THEY ARE GIVEN BY AMPHENOL CORP.

THE FURNISHING OF THESE DRAWINGS, SPECIFICATIONS, OR OTHER DATA BY AMPHENOL CORP., OR TO ANY OTHER PERSON FOR ANY PURPOSE IS NOT TO BE REGARDED BY IMPLICATION OR OTHERWISE IN ANY MANNER AS GRANTING RIGHTS OR PERMITTING SUCH HOLDER OR ANY OTHER PERSON TO MANUFACTURE, USE OR SELL ANY PRODUCT, PROCESS OR DESIGN, PATENTED OR OTHERWISE, THAT MAY IN ANY WAY BE RELATED TO OR DISCLOSED BY SAID DRAWINGS, SPECIFICATIONS, OR OTHER DATA.

UNLESS OTHERWISE SPECIFIED, DIMENSIONS ARE IN METRIC AND TOLERANCES ARE:

MATERIAL

REFERENCE

APPROVED
 S. HSIEH
 DATE 24-Mar-10

FINISH
 CAD FILE
 F:\DWG\CNPD\31\71008\2000-GSZ

DATE 26-Jun-10
 T. DENG
 DRAWN

DATE 26-Jun-10
 C. WANG
 ENGINEER

DATE 24-Mar-10
 SCALE: 3/1
 DWG SIZE B

TITLE
 BNC PLUG (75 OHM)
 FOR PLENUM 59 CABLE

SHEET 2 OF 2
 CODE ID 74868
 REV G

DATE ECO
 APPR

DRAWING NO. 31-71008-2000
 Danbury CT USA, Tainan Taiwan, Shenzhen China
 www.amphenolrf.com
 Amphenol RF

ALL OTHER SHEETS ARE FOR INTERNAL USE ONLY

X-ON Electronics

Largest Supplier of Electrical and Electronic Components

Click to view similar products for [RF Connectors / Coaxial Connectors](#) category:

Click to view products by [Amphenol](#) manufacturer:

Other Similar products are found below :

[R125315120](#) [8915-1511-000](#) [89674-0827](#) [5916-1103-603](#) [0106-001-000](#) [6-0001-3](#) [6001-7071-019](#) [6002-7051-003](#) [6002-7551-202](#) [6059674-1](#) [619550-1](#) [630059-000](#) [M39012/25-0021](#) [M39012/79-3008](#) [M39030/3-01N](#) [M39030/3-03N](#) [M3933/25-36N](#) [6500-7071-046](#) [6501-1071-002](#) [M83723/72W2457N](#) [6769](#) [CX050L2AQ](#) [7002-1541-010](#) [7002-1572-002](#) [7003-1572-002](#) [7004-1512-000](#) [7009-1511-004](#) [7010-1511-000](#) [7029-1511-060](#) [7101-1541-010](#) [7101-1571-002](#) [7105-1521-002](#) [7145-1521-002](#) [7209-1511-011](#) [7210-1511-012](#) [7210-1511-015](#) [7210-1511-019](#) [7210-1511-040](#) [7225-1512-050](#) [7242-1511-000](#) [73137-5015](#) [73251-0111](#) [73251-0672](#) [73276-1501](#) [73366-0013](#) [73404-2300](#) [73413-6080](#) [73415-5721](#) [7405-1521-005](#) [7405-1521-802](#)