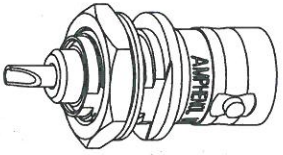
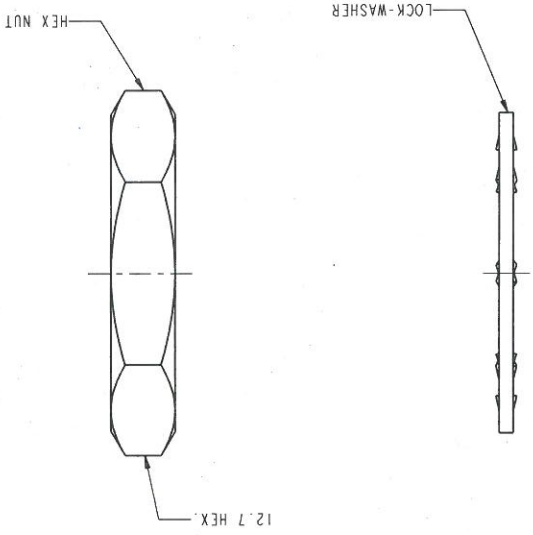
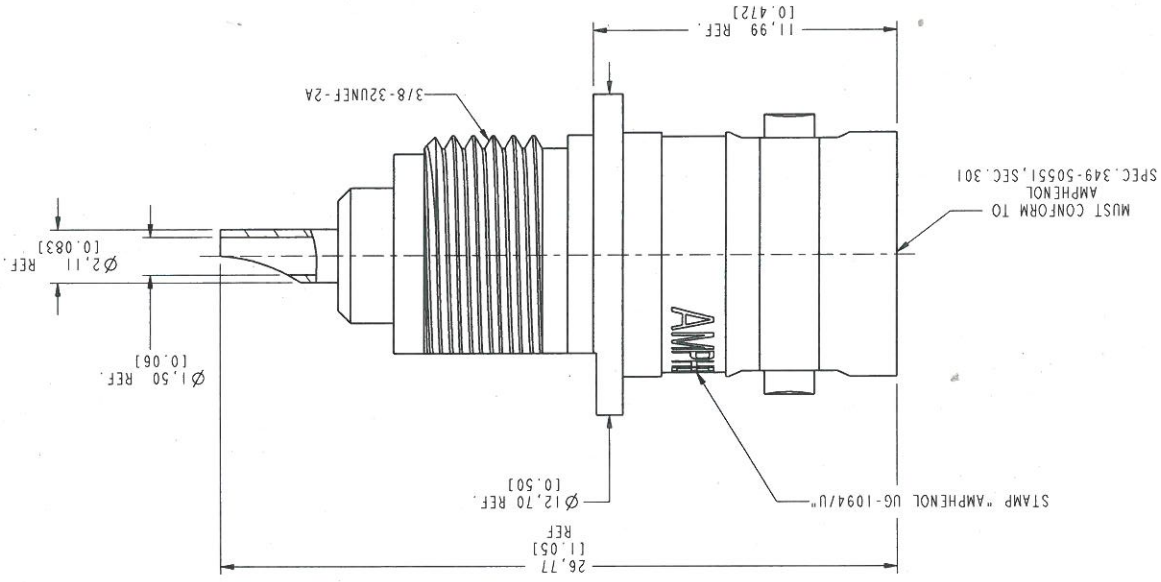
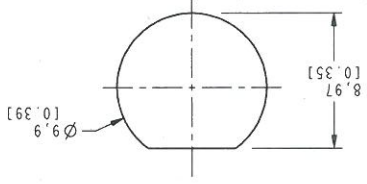


- NOTES:
- MATERIALS AND FINISHES:  
BODY - BRASS, NICKEL PLATING  
CONTACT - BERYLLIUM COPPER, SILVER PLATING  
INSULATOR - PTFE
  - ELECTRICAL:  
A. IMPEDANCE: 50 OHM  
B. FREQUENCY RANGE: DC - 4 GHz  
C. VSWR: 1.25, MAX.  
D. DIELECTRIC WITHSTANDING VOLTAGE: 1500 VRMS, MIN.
  - PACKAGING:  
A. QUANTITY: SINGLE PACK  
B. MARKING: BAG TO BE MARKED  
"AMPHENOL 31-221, AND DATE CODE"  
4. MAX. PANEL THK: 2.64 mm



REV	DATE	DESCRIPTION
AA	03-08-89	REDRAWN & REVISED NOTES
AB	06-12-92	ADDED NOTES AND REMOVED CONTACT SET DIM. INSPEC. 349-50300 & 5 LBS PUSH-OUT NOTE: ADD PKG. 999-226; ADDED ORIENTATION NOTE.
AC	02-23-93	CHANGED PLATE NOTE 1; REMOVED PLATE NOTES 2 & 3.
AD	4/29/09	REDRAWN IN PRO-E AND NOTES UPDATED
AE	11-24-12	STAMP "AMPHENOL" WAS "74868" VLD-DM12033001R3

THIRD ANGLE PROJ.

# CUSTOMER OUTLINE DRAWING

Amphenol RF  
www.amphenolrf.com

TITLE  
BNC BHD  
STR RECEPTACLE

DATE	06-Mar-12	DRAWN	R. MAO
DATE	27-Apr-89	ENGINEER	D. ROYCE
DATE	06-Mar-12	APPROVED	S. HSIEH
SCALE:	5.0:1.0	CAD FILE	

DWG SIZE B  
SHEET 2 OF 2

REV AE  
PART NO. 31-221  
ITEM NO. 31-221  
DRAWING NO. 31-221

UNLESS OTHERWISE SPECIFIED, DIMENSIONS ARE IN METRIC AND TOLERANCES ARE:

±0.5mm ±0.1mm ±0.5 - 6mm ±0.2mm ±0.3mm ±1°

±0.5mm ±0.1mm ±0.5 - 6mm ±0.2mm ±0.3mm ±1°

NOTICE - These drawings, specifications, or other data (1) are, and remain the property of Amphenol Corp. (2) must be returned upon request; and (3) are confidential and not to be disclosed to any person other than those to whom they are given by Amphenol Corp. The furnishing of these drawings, specifications, or other data by Amphenol Corp. or to any other person for any purpose is not to be regarded by implication or otherwise in any manner licensing, granting rights to permitting such holder or any other person to manufacture, use or sell any product, process or design, patented or otherwise, that may in any way be related to or disclosed by said drawings, specifications, or other data.

## X-ON Electronics

Largest Supplier of Electrical and Electronic Components

*Click to view similar products for [RF Connectors](#) / [Coaxial Connectors](#) category:*

*Click to view products by [Amphenol](#) manufacturer:*

Other Similar products are found below :

[R125315120](#) [8915-1511-000](#) [89674-0827](#) [5916-1103-603](#) [0106-001-000](#) [6-0001-3](#) [6001-7071-019](#) [6002-7051-003](#) [6002-7551-202](#) [6059674-1](#) [619550-1](#) [630059-000](#) [M39012/25-0021](#) [M39012/79-3008](#) [M39030/3-01N](#) [M39030/3-03N](#) [M3933/25-36N](#) [6500-7071-046](#) [6501-1071-002](#) [M83723/72W2457N](#) [6769](#) [CX050L2AQ](#) [7002-1541-010](#) [7002-1572-002](#) [7003-1572-002](#) [7004-1512-000](#) [7009-1511-004](#) [7010-1511-000](#) [7029-1511-060](#) [7101-1541-010](#) [7101-1571-002](#) [7105-1521-002](#) [7145-1521-002](#) [7209-1511-011](#) [7210-1511-012](#) [7210-1511-015](#) [7210-1511-019](#) [7210-1511-040](#) [7225-1512-050](#) [7242-1511-000](#) [73137-5015](#) [73251-0111](#) [73251-0672](#) [73276-1501](#) [73366-0013](#) [73404-2300](#) [73413-6080](#) [73415-5721](#) [7405-1521-005](#) [7405-1521-802](#)