

MATERIAL NUMBER	# OF COLUMNS	# OF DIFF PAIR	DIM 'A' MAX	DIM 'B'	PTHØ
76410-*8**	8	24	15.20	13.30	0.46±0.05
76410-*1**	10	30	19.00	17.10	0.46±0.05
76410-*6**	16	48	30.40	28.50	0.46±0.05
76410-*8**	8	24	15.20	13.30	0.39±0.05
76410-*1**	10	30	19.00	17.10	0.39±0.05
76410-*6**	16	48	30.40	28.50	0.39±0.05

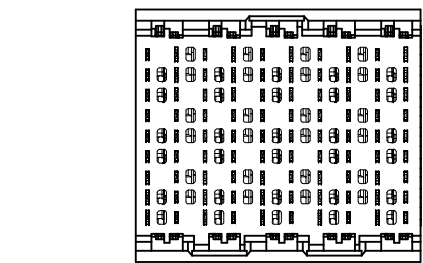
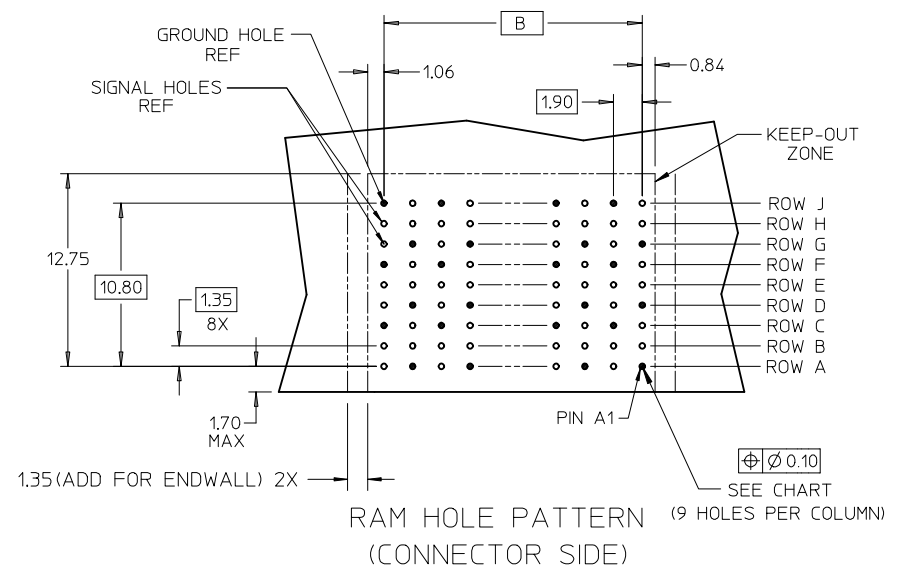
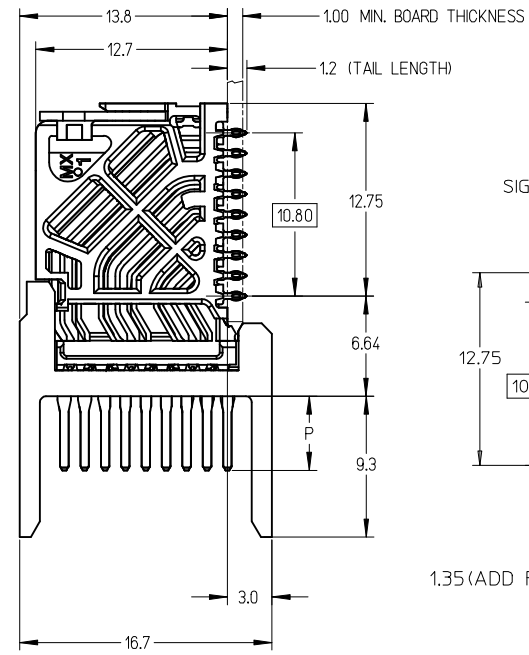
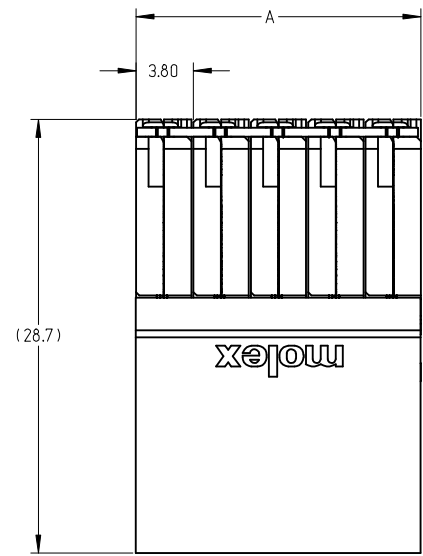
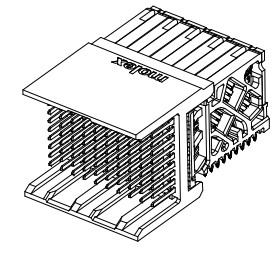
76410-****

MODULE TYPE
 0 = UNGUIDED, TIN-LEAD
 1 = UNGUIDED, LEAD-FREE

OF COLUMNS
 1 = 10 COLUMNS
 6 = 16 COLUMNS
 8 = 8 COLUMNS

PIN LENGTH (P)
 4 = 4.90 (0.46 PTH)
 5 = 5.50 (0.46 PTH)
 7 = 4.90 (0.39 PTH)
 8 = 5.50 (0.39 PTH)

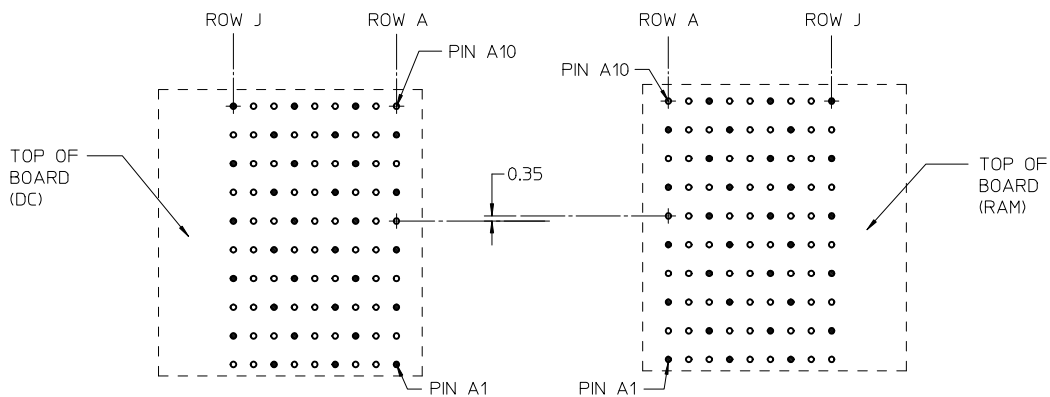
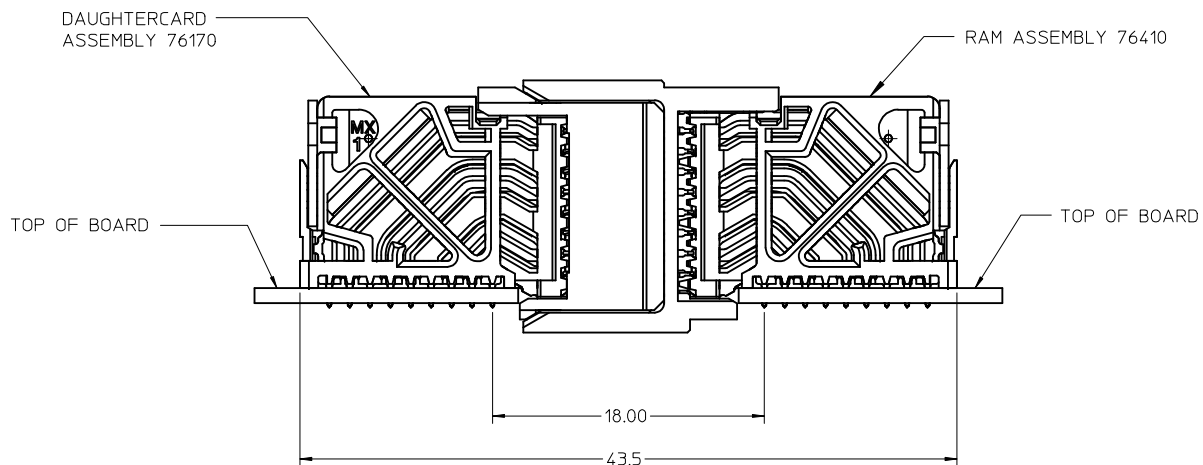
END WALL OPTIONS
 0 = OPEN ENDS
 1 = LEFT ENDWALL
 2 = DUAL ENDWALL
 3 = RIGHT ENDWALL



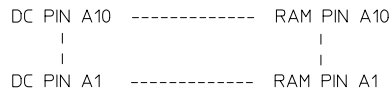
- NOTES:
1. MATERIALS: HOUSING - LIQUID CRYSTAL POLYMER (LCP), GLASS-FILLED, UL94V-0
TERMINALS - HIGH PERFORMANCE COPPER ALLOY
 2. FINISH: 30µIN SELECTIVE GOLD IN CONTACT AREA, SELECTIVE TIN OR TIN-LEAD ON PCB TAILS, NICKEL OVERALL.
 3. REFER TO MOLEX PRODUCT SPECIFICATION PS-76060-999 FOR PERFORMANCE SPECIFICATIONS AND ADDITIONAL PCB INFORMATION.
 4. EACH SIGNAL WAFER CONTAINS 2 COLUMNS OF TERMINALS.
 5. PRODUCT IS PACKAGED PER PK-70873-762.
 6. THIS PART CONFORMS TO CLASS B REQUIREMENTS OF COSMETIC SPEC PS-45499-002.
 7. REFER TO MOLEX SALES DRAWING SD-76170-001 FOR THE MATING RECEPTACLES.
 8. REFER TO MOLEX PCB ROUTING GUIDE AS-76060-990 FOR ANTIPAD AND ROUTING RECOMMENDATIONS.
 9. OPEN WALL VERSION SHOWN FOR CLARITY.

ADDED OPTIONS EC NO: UCP2009-1528 2009/04/09 DRWN: JONI AK 2009/04/17 CHKD: JLAURX 2009/04/17 APPR: JLAURX	QUALITY SYMBOLS ▽=0 ▽=0	GENERAL TOLERANCES (UNLESS SPECIFIED)	DIMENSION STYLE MM ONLY	SCALE 4:1	DESIGN UNITS METRIC	THIRD ANGLE PROJECTION																										
		<table border="1"> <thead> <tr> <th></th> <th>mm</th> <th>INCH</th> </tr> </thead> <tbody> <tr> <td>4 PLACES</td> <td>± .13</td> <td>± .005</td> </tr> <tr> <td>3 PLACES</td> <td>± .15</td> <td>± .006</td> </tr> <tr> <td>2 PLACES</td> <td>± 0.13</td> <td>± .005</td> </tr> <tr> <td>1 PLACE</td> <td>± 0.25</td> <td>± .010</td> </tr> </tbody> </table>		mm	INCH	4 PLACES	± .13	± .005	3 PLACES	± .15	± .006	2 PLACES	± 0.13	± .005	1 PLACE	± 0.25	± .010	<table border="1"> <tr> <td>DRAWN BY</td> <td>DATE</td> </tr> <tr> <td>JLAURX</td> <td>2008/10/21</td> </tr> <tr> <td>CHECKED BY</td> <td>DATE</td> </tr> <tr> <td>JONI AK</td> <td>2008/10/21</td> </tr> <tr> <td>APPROVED BY</td> <td>DATE</td> </tr> <tr> <td>JLAURX</td> <td>2008/10/21</td> </tr> </table>	DRAWN BY	DATE	JLAURX	2008/10/21	CHECKED BY	DATE	JONI AK	2008/10/21	APPROVED BY	DATE	JLAURX	2008/10/21	TITLE IMPACT 3 PAIR RAM UNGUIDED SIGNAL MODULE SALES DRAWING	
	mm	INCH																														
4 PLACES	± .13	± .005																														
3 PLACES	± .15	± .006																														
2 PLACES	± 0.13	± .005																														
1 PLACE	± 0.25	± .010																														
DRAWN BY	DATE																															
JLAURX	2008/10/21																															
CHECKED BY	DATE																															
JONI AK	2008/10/21																															
APPROVED BY	DATE																															
JLAURX	2008/10/21																															
DRAFT WHERE APPLICABLE MUST REMAIN WITHIN DIMENSIONS	MATERIAL NO. SEE CHART	DOCUMENT NO. SD-76410-001	THIS DRAWING CONTAINS INFORMATION THAT IS PROPRIETARY TO MOLEX INCORPORATED AND SHOULD NOT BE USED WITHOUT WRITTEN PERMISSION																													

COPLANAR APPLICATION



COPLANAR MATED SIGNAL PATHS



INITIAL RELEASE EC NO: UCP2009-1528 DRWN: JONI AK CHKD: JLAURX APPR: JLAURX	2009/04/09	QUALITY SYMBOLS ▽=0 ▽=0
	2009/04/17	
	2009/04/17	
	2009/04/17	
	2009/04/17	
REV	DESCRIPTION	

GENERAL TOLERANCES (UNLESS SPECIFIED)	
mm	INCH
4 PLACES ± ---	± ---
3 PLACES ± ---	± ---
2 PLACES ± 0.13	± ---
1 PLACE ± 0.25	± ---
ANGULAR ± 1/2°	
DRAFT WHERE APPLICABLE MUST REMAIN WITHIN DIMENSIONS	

DIMENSION STYLE MM ONLY	
DRAWN BY	DATE
JLAURX	2008/10/21
CHECKED BY	DATE
JJONI AK	2008/10/21
APPROVED BY	DATE
JLAURX	2008/10/21
MATERIAL NO.	
SEE CHART	
SIZE	
C	

SCALE 4:1	DESIGN UNITS METRIC	THIRD ANGLE PROJECTION
IMPACT 3 PAIR RAM UNGUIDED SIGNAL MODULE SALES DRAWING		
MOLEX INCORPORATED		SHEET NO. 2 OF 2
DOCUMENT NO. SD-76410-001		

X-ON Electronics

Largest Supplier of Electrical and Electronic Components

Click to view similar products for [High Speed/Modular Connectors](#) category:

Click to view products by [Molex](#) manufacturer:

Other Similar products are found below :

[2332816-1](#) [89006-1137LF](#) [650827-1](#) [65762-001LF](#) [73474-201LF](#) [74040-1346](#) [74075-0267](#) [1410191-1](#) [1410337-1](#) [1410368-3](#) [1410964-2](#)
[1410367-3](#) [1410971-4](#) [1467833-1](#) [2000877-1](#) [2000878-1](#) [2041314-1](#) [2065387-1](#) [2187307-1](#) [2187462-1](#) [2226278-6](#) [KA81-07](#) [91290-101LF](#)
[163P](#) [1934290-1](#) [2000875-1](#) [2065917-1](#) [2102736-2](#) [FSR-40](#) [2169868-2](#) [2226279-2](#) [22354-8](#) [437-5040-000](#) [5-1393565-0](#) [532449-3](#) [532803-](#)
[2](#) [34745-0001](#) [0736440217](#) [1-1393708-5](#) [72388-0021LF](#) [73774-1000](#) [532939-1](#) [5-531355-3](#) [5532901-3](#) [85838-180LF](#)
[HM1S43TRR460H6PLF](#) [0760205010](#) [1-966831-4](#) [3-1469268-7](#) [77427-121LF](#)