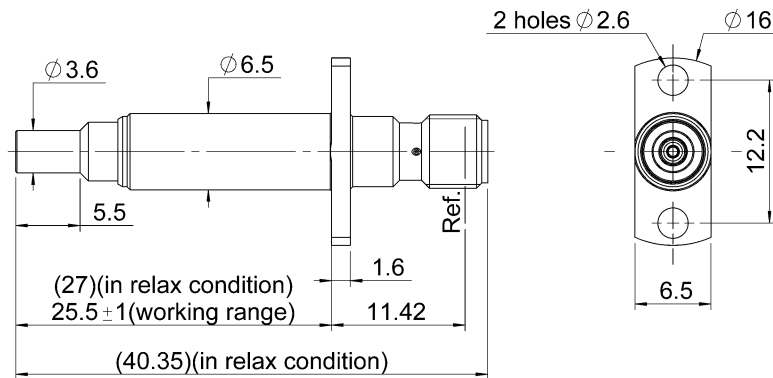
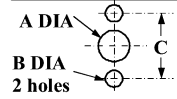


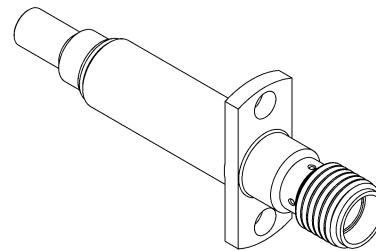
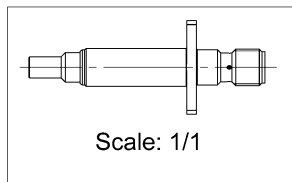
PAGE 1/3	ISSUE 1419B	SERIES ADAPT	PART NUMBER R191553800
----------	-------------	--------------	------------------------



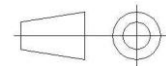
**PANEL CUT OUT**



	mm	
	Maxi	mini
A	6.8	6.75
B	2.7	2.6
C	12.25	12.15



All dimensions are in mm.



COMPONENTS	MATERIALS	PLATING (µm)
Body	<b>BRASS</b>	<b>GOLD OVER NICKEL, NPGR</b>
Center contact	<b>BERYLLIUM COPPER, BRASS</b>	<b>GOLD OVER NICKEL, NPGR</b>
Outer contact		
Insulator	<b>PTFE</b>	
Gasket		
Others parts	<b>STAINLESS STEEL</b>	
-	-	-
-	-	-

PAGE <b>2/3</b>	ISSUE <b>1419B</b>	SERIES <b>ADAPT</b>	PART NUMBER <b>R191553800</b>
-----------------	--------------------	---------------------	-------------------------------

**PACKAGING**

Standard	Unit	Other
<b>10</b>	<b>Contact us</b>	<b>Contact us</b>

**ELECTRICAL CHARACTERISTICS**

Impedance		<b>50</b>	$\Omega$
Frequency		<b>0-6</b>	GHz
VSWR	<b>1.25*</b>	<b>+</b>	<b>0.0000</b> x F(GHz) Maxi
Insertion loss		<b>0.15*</b>	$\sqrt{F}$ (GHz) dB Maxi
RF leakage		<b>NA</b>	- F(GHz)) dB Maxi
Voltage rating		<b>NA</b>	Veff Maxi
Dielectric withstanding voltage		<b>NA</b>	Veff mini
Insulation resistance		<b>5000</b>	M $\Omega$ mini

**ENVIRONMENTAL**

Operating	<b>-40/+80</b>	$^{\circ}\text{C}$
Hermetic seal	<b>NA</b>	Atm.cm3/s
Panel leakage	<b>NA</b>	

**MECHANICAL CHARACTERISTICS**

Center contact retention			
Axial force – Mating End		<b>NA**</b>	N mini
Axial force – Opposite end		<b>NA</b>	N mini
Torque		<b>NA</b>	N.cm mini
Recommended torque			
Mating		<b>0</b>	N.cm
		<b>0</b>	N.cm
		<b>0</b>	N.cm
Panel nut			N.cm
Mating life		<b>100000</b>	Cycles mini
Weight		<b>6.6300</b>	g

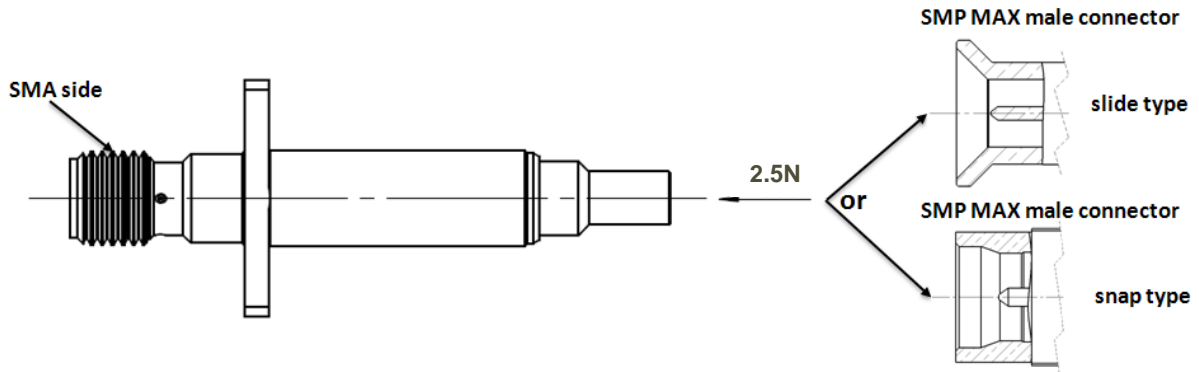
**SPECIFICATION**

**OTHER CHARACTERISTICS**

- \*VSWR: up to 3GHz; 3-6 GHz, 1.35maxi**
- \*Coaxial Transmission Line Only**
- \*\*Action mating force for the spring : 6N max**

PAGE 3/3	ISSUE 1419B	SERIES ADAPT	PART NUMBER R191553800
----------	-------------	--------------	------------------------

**INSTRUCTION FOR USE**



1. Connect the SMA side of the adapter with the measurement test equipment.
2. Mate the SMP-MAX connector with the adapter by pushing the SMP-MAX connector with a minimum force of 2.5N.

## X-ON Electronics

Largest Supplier of Electrical and Electronic Components

*Click to view similar products for [RF Connectors / Coaxial Connectors](#) category:*

*Click to view products by [Radiall](#) manufacturer:*

Other Similar products are found below :

[R125315120](#) [8915-1511-000](#) [89674-0827](#) [5916-1103-603](#) [0106-001-000](#) [6-0001-3](#) [6001-7071-019](#) [6002-7051-003](#) [6002-7551-202](#) [6059674-1](#) [619550-1](#) [630059-000](#) [M39012/25-0021](#) [M39012/79-3008](#) [M39030/3-01N](#) [M39030/3-03N](#) [M3933/25-36N](#) [6500-7071-046](#) [6501-1071-002](#) [M83723/72W2457N](#) [6769](#) [CX050L2AQ](#) [7002-1541-010](#) [7002-1572-002](#) [7003-1572-002](#) [7004-1512-000](#) [7009-1511-004](#) [7010-1511-000](#) [7029-1511-060](#) [7101-1541-010](#) [7101-1571-002](#) [7105-1521-002](#) [7145-1521-002](#) [7209-1511-011](#) [7210-1511-012](#) [7210-1511-015](#) [7210-1511-019](#) [7210-1511-040](#) [7225-1512-050](#) [7242-1511-000](#) [73137-5015](#) [73251-0111](#) [73251-0672](#) [73276-1501](#) [73366-0013](#) [73404-2300](#) [73413-6080](#) [73415-5721](#) [7405-1521-005](#) [7405-1521-802](#)