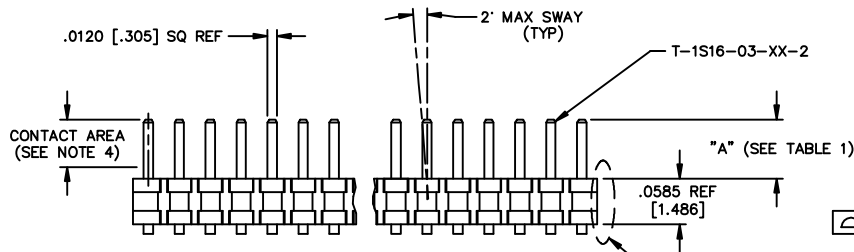
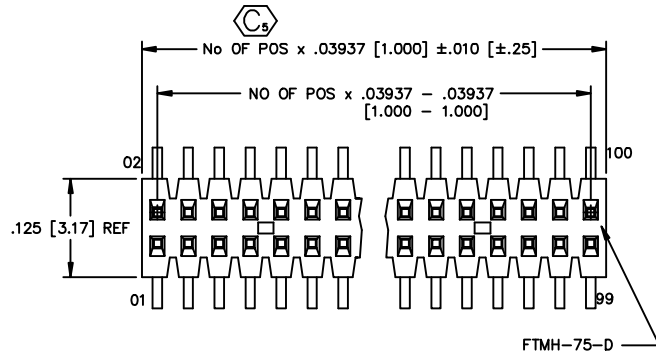


TABLE 1	
LEAD STYLE	"A"
-02	.075 [1.91]
-03	.065 [1.65]



- NOTES:
- PARTS MAY BE CUT TO POSITION.
 - SHEAR TAILS TO DIMENSION SHOWN.
 - MEASURED AT BEND RADIUS, NOT AT END OF PIN.
 - GOLD PLATING TO BE ON POST, TIN PLATING TO BE ON TAIL.
 - ⊕ REPRESENTS A CRITICAL DIMENSION.
 - MINIMUM PUSHOUT FORCE: 1.0 LB = 16 OZ.
 - .003 [.08] MAXIMUM BURR.
 - .010 [.25] MAXIMUM CUT FLASH.
 - POSITIONS 2-4 TO BE LAYER PACKAGED &
 - DUE TO THE HIGH AMOUNT OF INSERTION FORCE NEEDED, THE -EC OPTION IS NOT COMPATIBLE WITH AUTO PLACEMENT. SAMTEC RECOMMENDS MANUAL PLACEMENT FOR ALL ASSEMBLIES WITH THE -EC OPTION.

UNLESS OTHERWISE NOTED TOLERANCES ARE:

ONE PLACE DECIMALS ±.1[2.54] THREE PLACE DECIMALS ±.005[.13] ANGLES ± 1°

TWO PLACE DECIMALS ±.01[.25] FOUR PLACE DECIMALS ±.0010[.025]

TITLE: 1mm x 1mm DOUBLE VERTICAL SMT TERMINAL STRIP

DWG NO: FTMH-1XX-XX-XX-DV-XX

SHEET 1 OF 4

FTMH-1XX-XX-XX-DV-XX

No OF POS PER ROW
-02 THRU -50

LEAD STYLE
-02: .075 [1.91]
(USE T-1S16-03-XX-2)
-03: .065 [1.65] MIN
(USE T-1S16-03-XX-2)

PLATING
-L: LIGHT SELECTIVE
(USE T-1S16-03-L-2)
-F: FLASH SELECTIVE
(USE T-1S16-03-F-2)
-H: HEAVY GOLD
(USE T-1S16-03-H-2)
-LM: LIGHT SELECTIVE GOLD, MATTE TIN TAIL
(USE T-1S16-03-L-2)
-FM: FLASH SELECTIVE GOLD, MATTE TIN TAIL
(USE T-1S16-03-F-2)
-G: GOLD
(USE T-1S16-03-G-2)

ROW SPECIFICATION
-DV: DOUBLE ROW VERTICAL
(USE FTMH-75-D)

OPTIONS

- P: PICK & PLACE PAD (USE PPP-30)
(USE PPP-30-NT FOR TAPE & REEL)
(SEE FIG 3, SHT 3)
(6 POS. PER ROW MIN)
- TR: TAPE & REEL PACKAGING
- ES: SNAP ON END SHROUDS (SEE FIG. 2, SHT 2)
(9 POS. PER ROW MIN)
MOLDED TO POSITION END SHROUDS.
(5 POS. PER ROW MIN) (SEE FIG. 2 SHT.2)
- EP: GUIDE POST (SEE FIG. 4, SHT.3)
(9 POS. PER ROW MIN)
(USE ONLY WHEN MATING WITH A CLM)
- EC: LOCKING CLIP (SEE FIG. 5, SHT. 3)(SEE NOTE 10)
(9 POS. PER ROW MIN)
- A: ALIGNMENT PIN
(SEE FIG. 6 & 7, SHT 4)
MOLDED TO POSITION (3 POSITIONS PER ROW MIN.)
MOLDED TO POSITION WITH END SHROUDS
(5 POS. PER ROW MIN)

(SAMTEC DISCRETION ON WHICH -A PIN IS USED)
(MOLD 3 POSITION MIN, USE FTMH-75-D-XX)
(STAKE 7 POSITION MIN, USE FTMH-80-D)

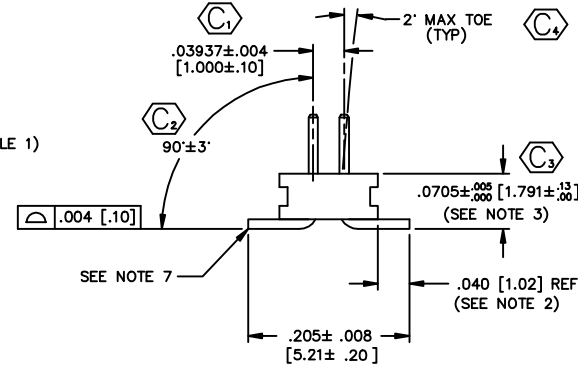


FIG. 1

TABLE 2: *SEE NOTE 9 FOR PACKAGING NOTES*

LEAD STYLE	OPTION (S)	PACKAGING TUBE	TUBE PLUG
-02	-NONE	PT-1-24-02-49	TP-12 (2 REQ'D)
-02, -03	-A	PT-1-24-01-60	TP-03 (2 REQ'D)
-02, -03	-P, -A-P	PT-1-24-01-43	TP-24 (2 REQ'D)
-03	NONE	PT-1-24-02-49	TP-30 (2 REQ'D)
-02, -03	-ES, -ES-P, -ES-A, -EP	PT-1-24-01-63	TP-24-02 (2 REQ'D)
-02, -03	-EC -EC-P, -EC-A	PT-1-24-01-60	TP-09 (2 REQ'D)
-02, -03	-EP-A, -EP-A-P	PT-1-24-02-15	TP-03 (2 REQ'D)

DO NOT SCALE

PROPRIETARY NOTE
THIS DOCUMENT CONTAINS INFORMATION OF A CONFIDENTIAL AND PROPRIETARY NATURE. IT IS THE PROPERTY OF SAMTEC INC. AND SHALL NOT BE REPRODUCED OR TRANSMITTED IN ANY FORM OR BY ANY MEANS, ELECTRONIC OR MECHANICAL, INCLUDING PHOTOCOPYING, RECORDING, OR BY ANY INFORMATION STORAGE AND RETRIEVAL SYSTEM, WITHOUT THE WRITTEN CONSENT OF SAMTEC INC.

MATERIAL:
INSULATOR:
BLACK LIQUID CRYSTAL POLYMER

TERMINAL:
PHOSPHOR BRONZE

samtec

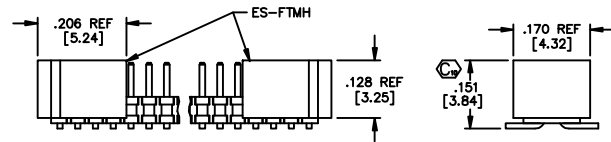
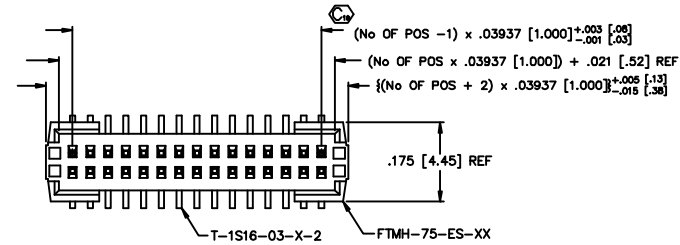
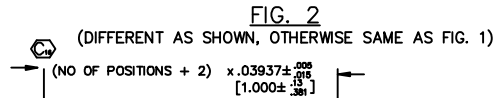
520 PARK EAST BLVD. NEW ALBANY, INDIANA 47150
PHONE (812) 944-6733 P.O. BOX 1147
CODE 55322

MADE BY:
PURVIS 04-22-96

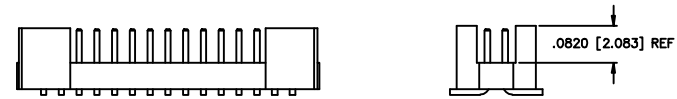
FTMH-1XX-XX-XX-DV-XX
sheet 1 of 4

REV. AX

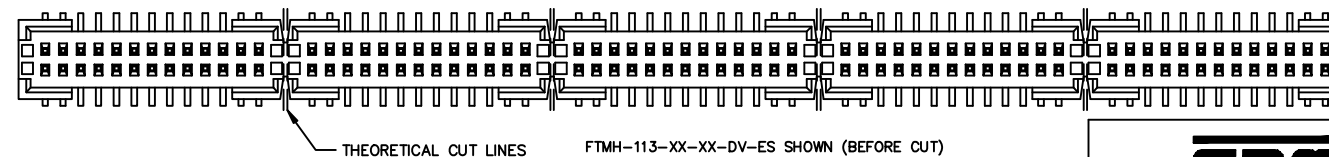
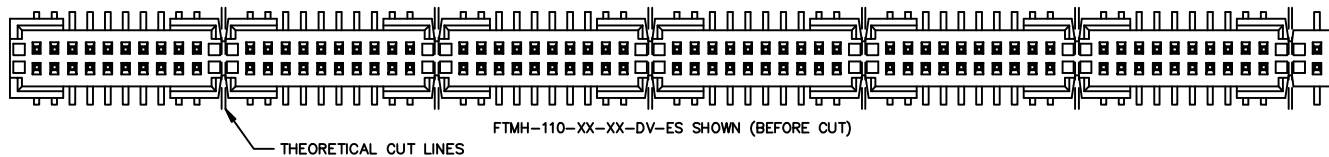
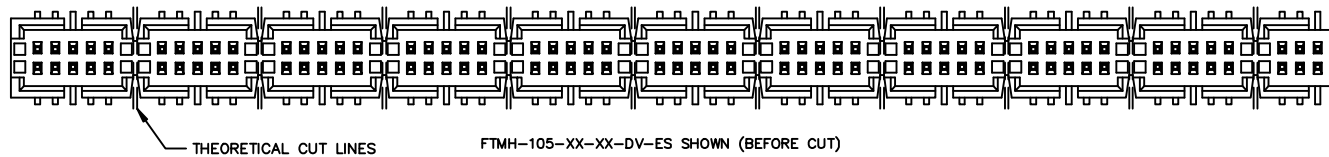
DIMENSIONS ARE IN INCHES		UNLESS OTHERWISE NOTED	TOLERANCES ARE:	TITLE:	DWG NO:
ONE PLACE DECIMALS ±.1[2.5]	THREE PLACE DECIMALS ±.005[.13]		ANGLES ± 2°	1mm x 1mm DOUBLE VERTICAL SMT TERMINAL STRIP	FTMH-1XX-XX-XX-DV-XX
TWO PLACE DECIMALS ±.01[.25]	FOUR PLACE DECIMALS ±.0020[.051]				SHEET 2 OF 4



-ES OPTION
SNAP ON SHROUDS



-ES OPTION
MOLDED SHROUDS



PROPRIETARY NOTE
THIS DOCUMENT CONTAINS INFORMATION CONFIDENTIAL AND PROPRIETARY TO SAMTEC INC. AND SHALL NOT BE REPRODUCED OR TRANSMITTED IN ANY FORM OR BY ANY MEANS, ELECTRONIC OR MECHANICAL, INCLUDING PHOTOCOPYING, RECORDING, OR BY ANY INFORMATION STORAGE OR RETRIEVAL SYSTEM, WITHOUT THE EXPRESS WRITTEN CONSENT OF SAMTEC INC.

samtec MSC/MC10 FTMH/SC2
 520 PARK EAST BLVD, NEW ALBANY, INDIANA 47150
 PHONE (812) 944-6733 P.O. BOX 1147
 CODE 55322

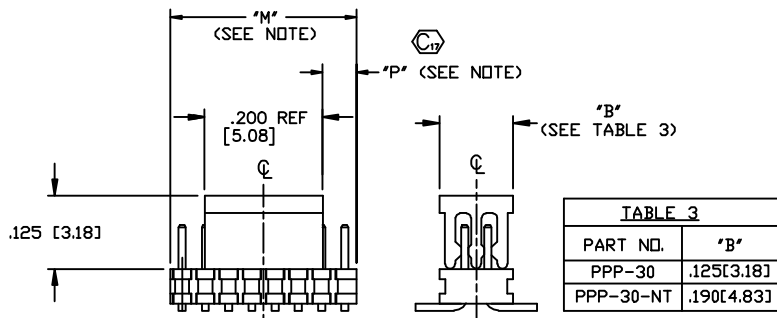
MADE BY: PURVIS 04-22-96
 FTMH-1XX-XX-XX-DV-XX
 sheet 2 of 4

REV. AX

DIMENSIONS ARE IN INCHES		UNLESS OTHERWISE NOTED	TOLERANCES ARE:	TITLE:	DWG NO:
ONE PLACE DECIMALS ±.1[2.5]	THREE PLACE DECIMALS ±.005[.13]	ANGLES	± 2°	1mm x 1mm DOUBLE VERTICAL SMT TERMINAL STRIP	FTMH-1XX-XX-XX-DV-XX
TWO PLACE DECIMALS ±.01[.25]	FOUR PLACE DECIMALS ±.0020[.051]	SHEET 3 OF 4			

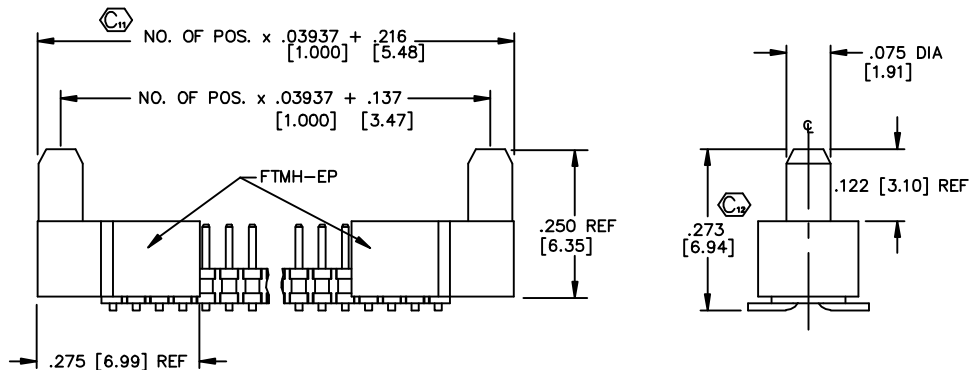
FIG. 3
(DIFFERENT AS SHOWN, OTHERWISE SAME AS FIG. 1)

NOTE: *M* = USED MEASURED DIMENSION (REF)
P = ((*M* - .200 [5.08]) / 2) ±.020 [5.1]



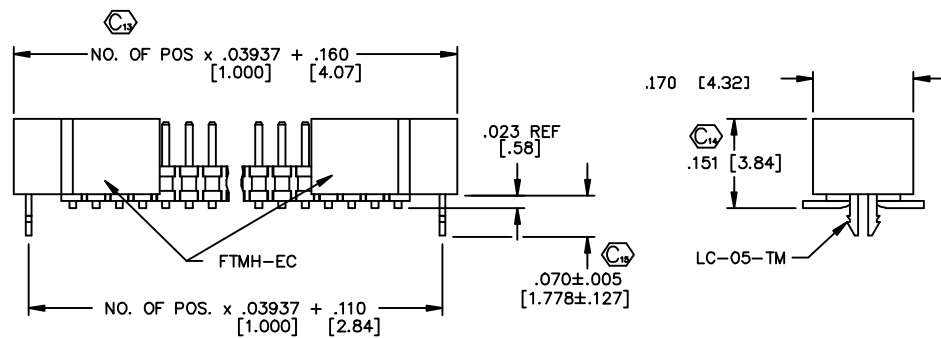
-P OPTION

FIG. 4
(DIFFERENT AS SHOWN, OTHERWISE SAME AS FIG. 1)



-EP OPTION (USE ONLY WHEN MATING WITH CLM)

FIG. 5
(DIFFERENT AS SHOWN, OTHERWISE SAME AS FIG. 1)



-EC OPTION

PROPRIETARY NOTE
THIS DOCUMENT CONTAINS INFORMATION CONFIDENTIAL AND PROPRIETARY TO SAMTEC INC. AND SHALL NOT BE REPRODUCED OR TRANSMITTED IN ANY FORM OR BY ANY MEANS, ELECTRONIC OR MECHANICAL, INCLUDING PHOTOCOPYING, RECORDING, OR BY ANY INFORMATION STORAGE OR RETRIEVAL SYSTEM, WITHOUT THE EXPRESS WRITTEN CONSENT OF SAMTEC INC.

samtec

EXSPROD\1MM
FTMH-SM3

520 PARK EAST BLVD. NEW ALBANY, INDIANA 47150
PHONE (812) 944-6733 P.O. BOX 1147
CODE 55322

MADE BY:
PURVIS 04-22-96

FTMH-1XX-XX-XX-DV-XX
sheet 3 of 4

REV. AX

DIMENSIONS ARE IN INCHES		UNLESS OTHERWISE NOTED	TOLERANCES ARE:	TITLE: 1mm x 1mm DOUBLE VERTICAL SMT TERMINAL STRIP	DWG NO: FTMH-1XX-XX-XX-DV-XX SHEET 4 OF 4
ONE PLACE DECIMALS ± .1[2.54]	THREE PLACE DECIMALS ± .005[.13]	ANGLES ± 1°			
TWO PLACE DECIMALS ± .01[.25]	FOUR PLACE DECIMALS ± .0010[.025]				

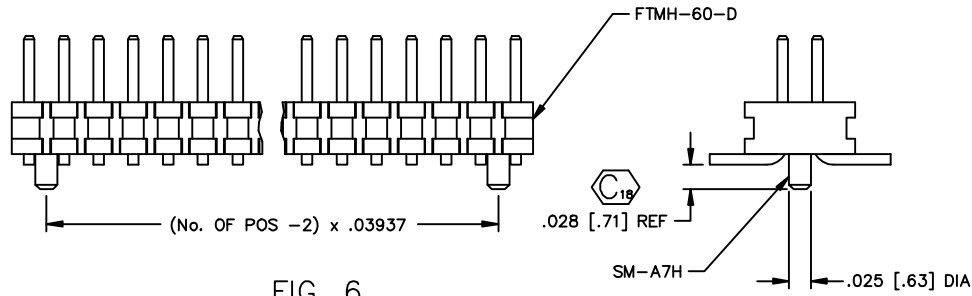


FIG. 6
-A OPTION
(STAKED)
MIN 7 POSITIONS FOR STAKING

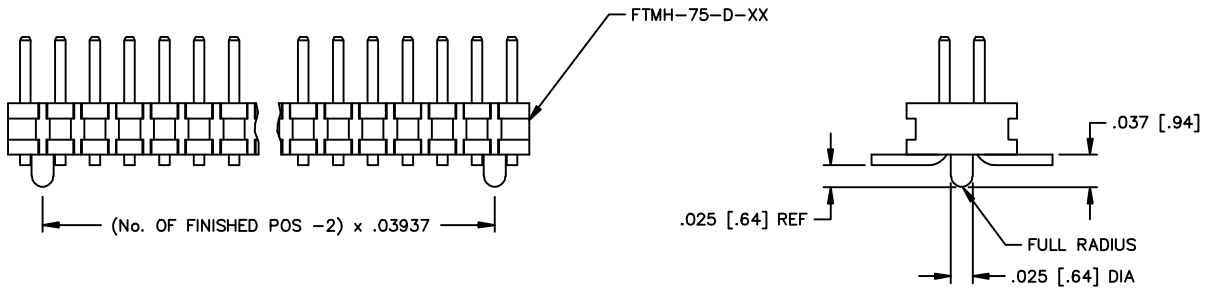


FIG. 7
-A OPTION
(MOLDED)
(3 POS MIN)

PROPRIETARY NOTE
THIS DOCUMENT CONTAINS INFORMATION CONFIDENTIAL AND PROPRIETARY TO SAMTEC INC. AND SHALL NOT BE REPRODUCED OR TRANSMITTED TO OTHER DOCUMENTS OR DISCLOSED TO OTHERS OR USED FOR ANY PURPOSE OTHER THAN THAT FOR WHICH IT WAS OBTAINED WITHOUT THE EXPRESSED WRITTEN CONSENT OF SAMTEC INC.

ES2PROO/ASSEMBLY/1MM
FTMH-SM4

samtec

520 PARK EAST BLVD. NEW ALBANY, INDIANA 47150
PHONE (812) 944-6733 P.O. BOX 1147
CODE 55322

MADE BY: D JONES 12-03-96

FTMH-1XX-XX-XX-DV-XX
sheet 4 of 4

X-ON Electronics

Largest Supplier of Electrical and Electronic Components

Click to view similar products for [Board to Board & Mezzanine Connectors](#) category:

Click to view products by [Samtec](#) manufacturer:

Other Similar products are found below :

[10135583-642402LF](#) [89885-310LF](#) [589158040000018](#) [6-1393048-0](#) [68683-613](#) [MDF7-12DP-2.54DSA](#) [MDF7-18P-2.54DSA\(01\)](#) [MDF7-20DP-2.54DSA](#) [MDF7-26D-2.54DSA\(55\)](#) [MDF7-3P-2.54DSA\(01\)](#) [MDF7B-3P-2.54DSA\(55\)](#) [MDF7C-11P-2.54DSA\(55\)](#) [MDF7C-18P-2.54DSA\(55\)](#) [MDF7C-5P-2.54DSA\(01\)](#) [MDF7P-5P-2.54DSA\(55\)](#) [75234-0516](#) [FCN-230C068-11](#) [FCN-268F012-G/BD](#) [FCN-268F036-G/BD](#) [FCN-268M012-G/0D](#) [FCN-268M024-G/1D](#) [FCN-360C008-C](#) [FCN-360C040-C](#) [FCN-723J004/1](#) [MIS-048-01-F-D-DP-K](#) [832-10-034-10-001000](#) [93696-325LF](#) [11828-1FA](#) [AXK630345P](#) [18097-0013](#) [ICA-328STT](#) [2007042-2](#) [304400-2](#) [FCN-214Q030-G/0](#) [FCN-215Q040-G/0](#) [FCN-230C068-ESA](#) [FCN-234P048-G/0](#) [FCN-235D050-G/C](#) [FCN-360A3](#) [FCN-360C040-B](#) [210-93-314-41-105000](#) [2-22603-0](#) [379-064-521-202](#) [MDF7-12P-2.54DSA\(01\)](#) [MDF7-16P-2.54DS\(56\)](#) [MDF7-40DP-2.54DSA\(55\)](#) [MDF7-8P-2.54DSA\(55\)](#) [MDF7B-16P-2.54DSA\(55\)](#) [AXG720047](#) [5031084030](#)