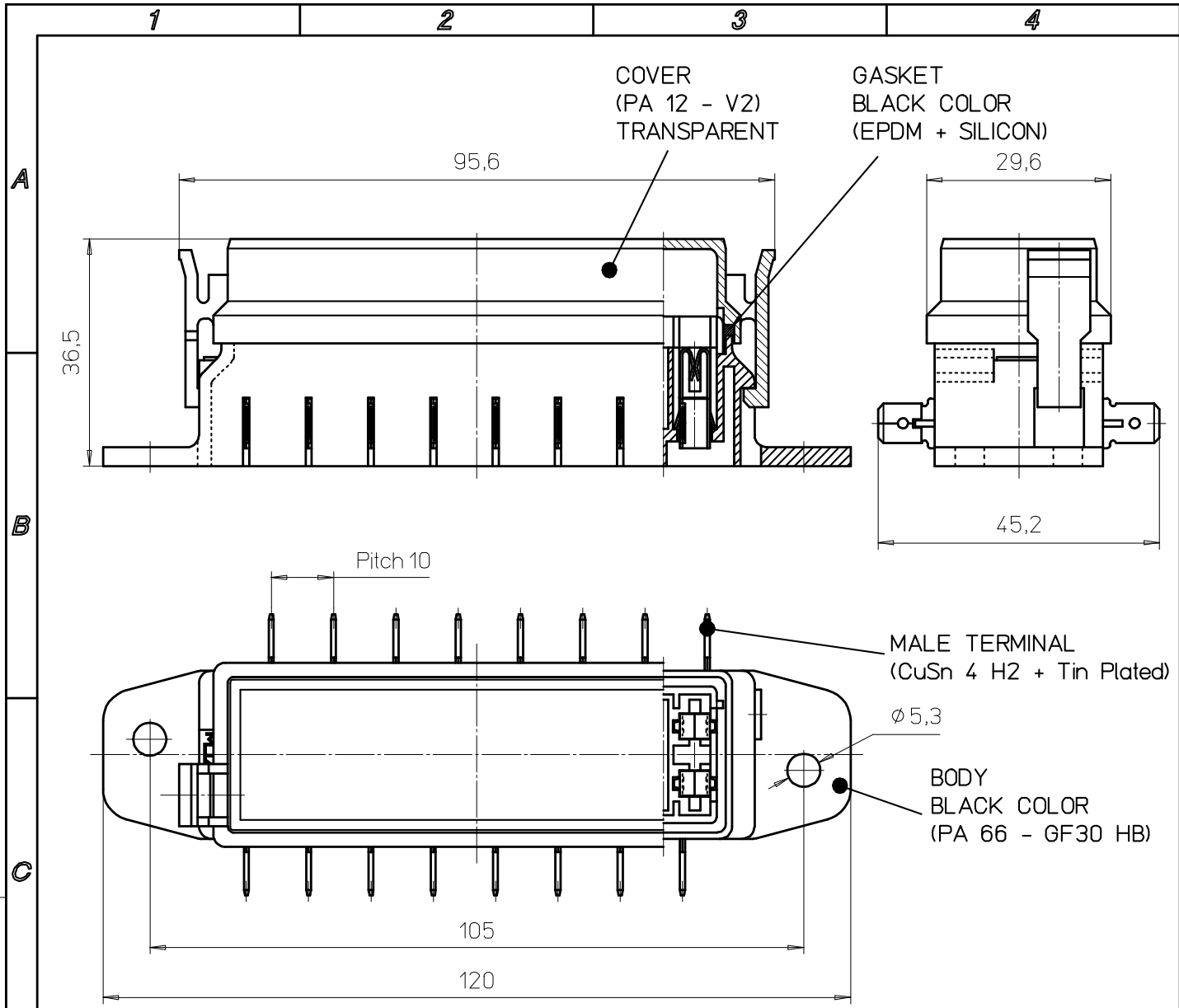


All proprietary rights reserved by MECCANOTECNICA CODOGNESE S.p.A. - This drawing shall not be reproduced, or in any way utilized, for the manufacture of the component or unit herein illustrated and must not be released to other parties, without written consent. Any infringement will be legally pursued.



*APPLICATION WITH CURRENT HIGHER THAN THE INDICATED ONE, HAVE TO BE VERIFIED AND AUDITED ONE BY ONE

OPERATING FEATURES		
FEATURE	UNIT	VALUE
<i>V max</i>	V	32
<i>T. min - T. max</i>	°C	-30 / +100
<i>* I Continuous</i>	A	RECOMMENDED 135A TOT; 20A/WAY
<i>IP</i>	IEC 529	23

MTA[®]
auto electric systems

MTA P/N 01.00590
Draw No. B0-002.021A

Denom. FUSE BOX UNIVALENTE SIDE 8 WAY
Used for

Rel. Level APPROVED

Draw for CLIENT

Family FUSE HOLDERS MULTIWAY

Date Name

Scale Weight(g) Lin.Tol.* Ang.Tol.*

Material SEE DRAWING Thick. Width

Draft 06/11/1989 M. CORBANI

1:1 0.5

Coating SEE DRAWING

Chk 06/11/1989 M. CORBANI

A4

Color SEE DRAWING

PQApp 30/11/2004 R.GONZALEZ

Dimensions in (mm) Sheet 1/1

5	OPERATING FEATURES UPDATED		
No.	Reason for Revision	Date	19/10/2004
		Name	A. CAPELLI

X-ON Electronics

Largest Supplier of Electrical and Electronic Components

Click to view similar products for [Fuse Holder](#) category:

Click to view products by [MTA](#) manufacturer:

Other Similar products are found below :

[570-290-741P40](#) [570-290-751P40](#) [0031.1351.01](#) [020417G](#) [020418E](#) [80910030](#) [8601.2020](#) [9-3557-GP REV A](#) [15600-08-10](#) [BK1-HTC-45M](#)
[BK/FHN19G](#) [BK/HJM-HH](#) [BK/HKP-CCHH](#) [BK/HKP-E-CC](#) [BK/HKP-E-HH](#) [BK/HKP-EH-HH](#) [BK/HKP-U-HH](#) [BK/HTJ-LES-FUSE](#)
[HMG-241](#) [2086-1](#) [2193](#) [RTMF-SC](#) [2602](#) [2650](#) [FHN31G1](#) [G4PB8](#) [2660](#) [2799](#) [CQ-209V](#) [345621A](#) [3794](#) [4202](#) [4408](#) [4413](#) [4423](#) [4482](#)
[4532](#) [4537](#) [TSD1404-12](#) [BK/FHN31G1](#) [BK/HKP-H-CC](#) [BK/HKP-JQ-BB](#) [BK/HKP-JQW-BB](#) [BK/HKP-N-HH](#) [BK/HKP-S-CC](#) [BK/HKP-W-](#)
[BBHH](#) [BP/HHS](#) [BPHHU](#) [55900008011](#) [C1933](#)