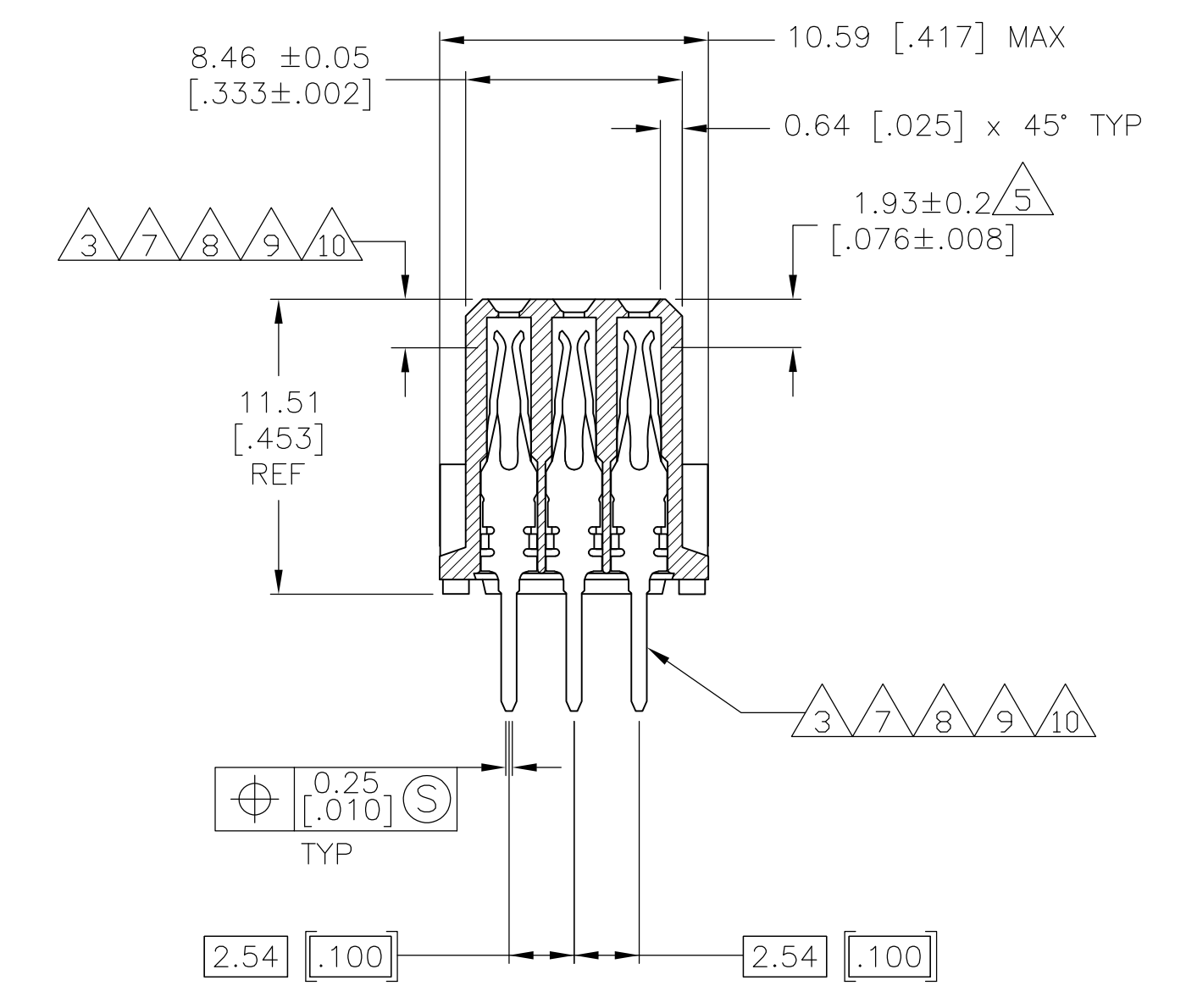


- 1 HOUSING MATERIAL: GLASS-FILLED POLYESTER. COLOR: GRAY.
- 2 CONTACT MATERIAL: PHOSPHOR BRONZE.
- 3 CONTACT FINISH: 0.00076[.000030] GOLD IN CONTACT AREA. 0.00127[.000050] NICKEL UNDERPLATE ALL OVER. TIN-LEAD ON POSTS.
- 4 PART NUMBER, DATE CODE IDENTIFICATION, CSA LOGO IN THIS APPROXIMATE AREA, ON REVERSE SIDE.
- 5 POINT OF MEASUREMENT FOR GOLD.
- 6 RECOMMENDED HOLE SIZE FOR MANUAL APPLICATION OF CONNECTOR ONTO PC BOARD.
- 7 CONTACT FINISH: 0.00127[.000050] GOLD IN CONTACT AREA. 0.00127[.000050] NICKEL UNDERPLATE ALL OVER. TIN-LEAD ON POSTS.
- 8 CONTACT FINISH: DIN 41612 CLASS 3 IN CONTACT AREA. TIN-LEAD ON POSTS.
- 9 CONTACT FINISH: DIN 41612 CLASS 2 IN CONTACT AREA. TIN-LEAD ON POSTS.
- 10 CONTACT FINISH: GOLD FLASH OVER 1.02µm[.000040] MIN PALLADIUM/NICKEL IN CONTACT MATING AREA, ALL OVER 1.27µm[.000050] MIN NICKEL. TIN-LEAD ON TAILS.



SECTION X-X

OBsolete	ROWS LOADED	C	B	A	NO. OF LOADED POSITION	ASSY PART NUMBER
OBsolete	1 THRU 32	X	X	X	96	535043-9
OBsolete	1 THRU 32	X	X	X	96	535043-6
	1 THRU 32	X	X	X	96	535043-5
	1 THRU 32	X	X	X	96	535043-4
OBsolete	1 THRU 32	X	X	X	96	535043-1
NOTE	POSITIONS LOADED	ROWS LOADED				

THIS DRAWING IS A CONTROLLED DOCUMENT.

DIMENSIONS: mm [INCHES]	TOLERANCES UNLESS OTHERWISE SPECIFIED:	DIN L BRINER 12/6/88	APVD R PATTERSON 12/5/93	NAME
0 PLC ± -	1 PLC ± -	12/5/93	R PATTERSON 12/5/93	ASSEMBLY, RECEPTACLE, EUROCARD, TYPE C, SOLDER TAIL, 96 POSITION
2 PLC ± -	3 PLC ± 0.13[.005]			APPLICATION SPEC
4 PLC ± -	ANGLES ± -			SIZE CASE CODE DRAWING NO
MATERIAL	FINISH	WEIGHT	SCALE	RESTRICTED TO
			A1 00779 C=535043	
			CUSTOMER DRAWING	SHEET 1 OF 1 REV P1

X-ON Electronics

Largest Supplier of Electrical and Electronic Components

Click to view similar products for [DIN 41612 Connectors](#) category:

Click to view products by [TE Connectivity](#) manufacturer:

Other Similar products are found below :

[09231126901](#) [PCN10F-24P-2.54DS\(72\)](#) [004.767](#) [02221602702](#) [024069](#) [602427301412000](#) [013275](#) [691327-1](#) [74670-0732](#) [74680-0340](#)
[75880-0015](#) [76453-0014](#) [86093159ALF](#) [923454](#) [QLC260R](#) [120X10099X](#) [120X10019X](#) [120X10089X](#) [120X10129X](#) [121A10039X](#)
[121A10309X](#) [122A10019X](#) [122A10029X](#) [122A10249X](#) [122A10669X](#) [122A11089X](#) [122A13089X](#) [121B10409X](#) [122A10089X](#)
[122A10129X](#) [122A10349X](#) [122A13359X](#) [1377391-4](#) [DIN-048CPC-SR1-MH](#) [1393583-2](#) [1393726-7](#) [140X10059X](#) [140X10129X](#) [143-1913-](#)
[000](#) [143-1908-000](#) [1484472-1](#) [173052](#) [2110070-1](#) [2110070-2](#) [CBC20T00-008FDS5-0-1-002VR](#) [983-0SE12-12P6](#) [17041102202](#) [172699-](#)
[5036](#) [173051](#) [20](#) [8457096](#) [010](#) [025](#)