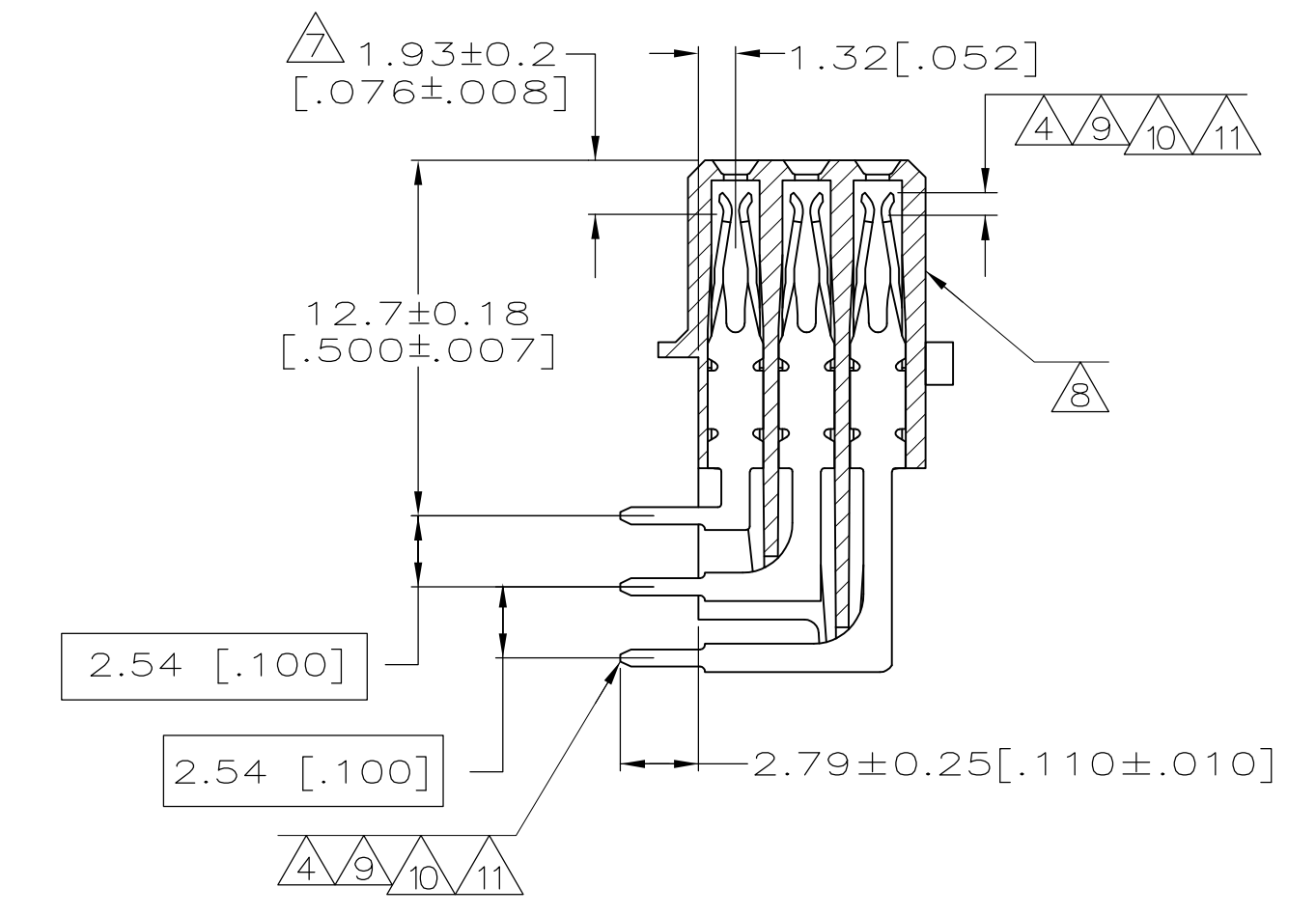
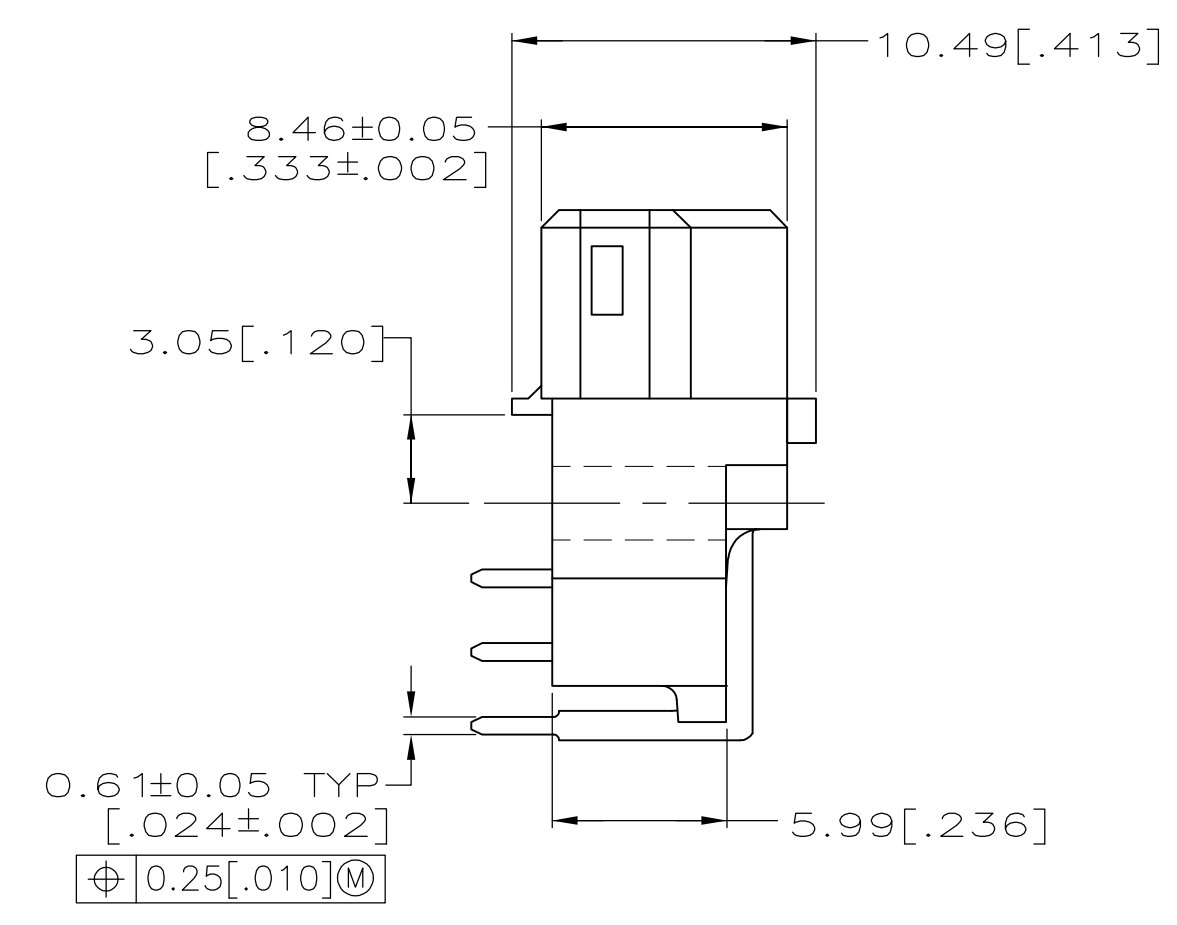
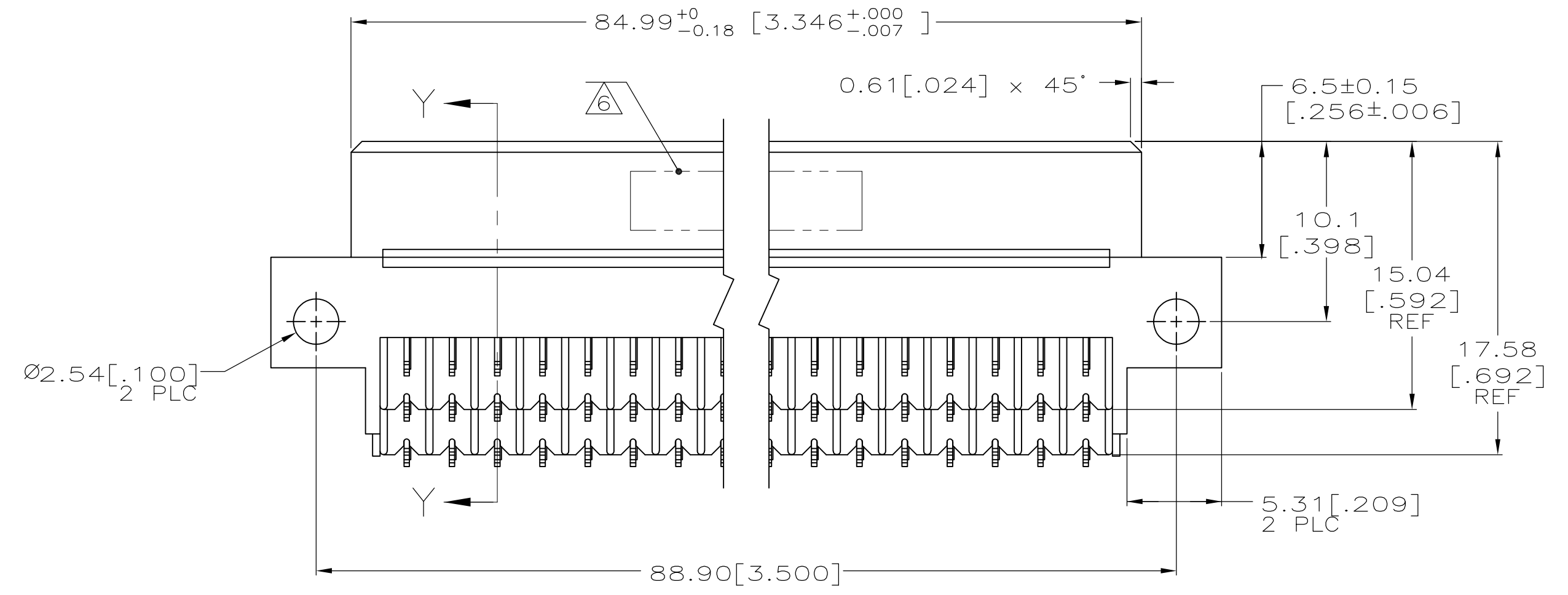
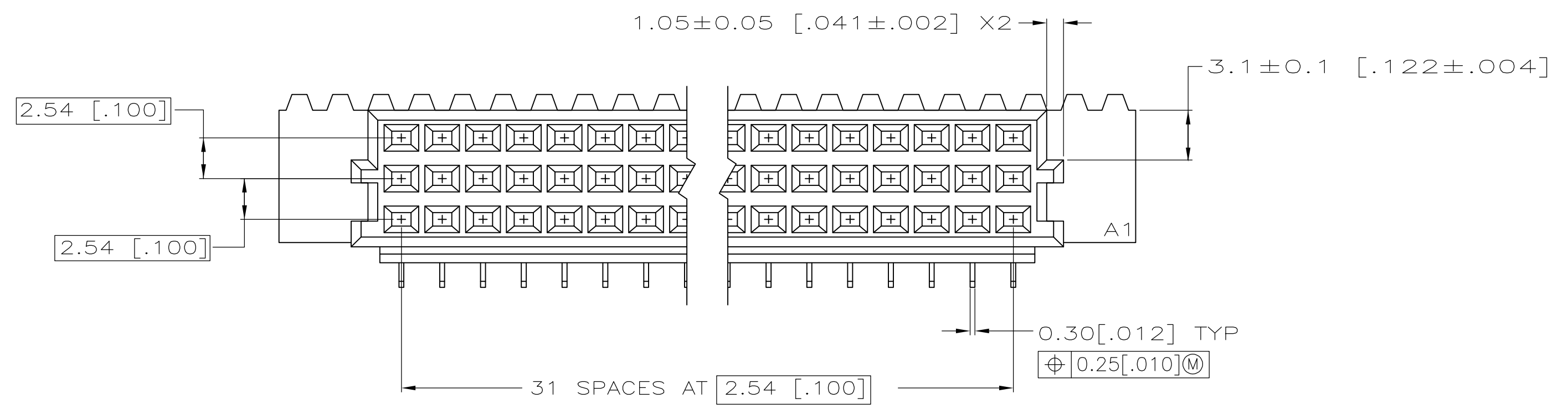
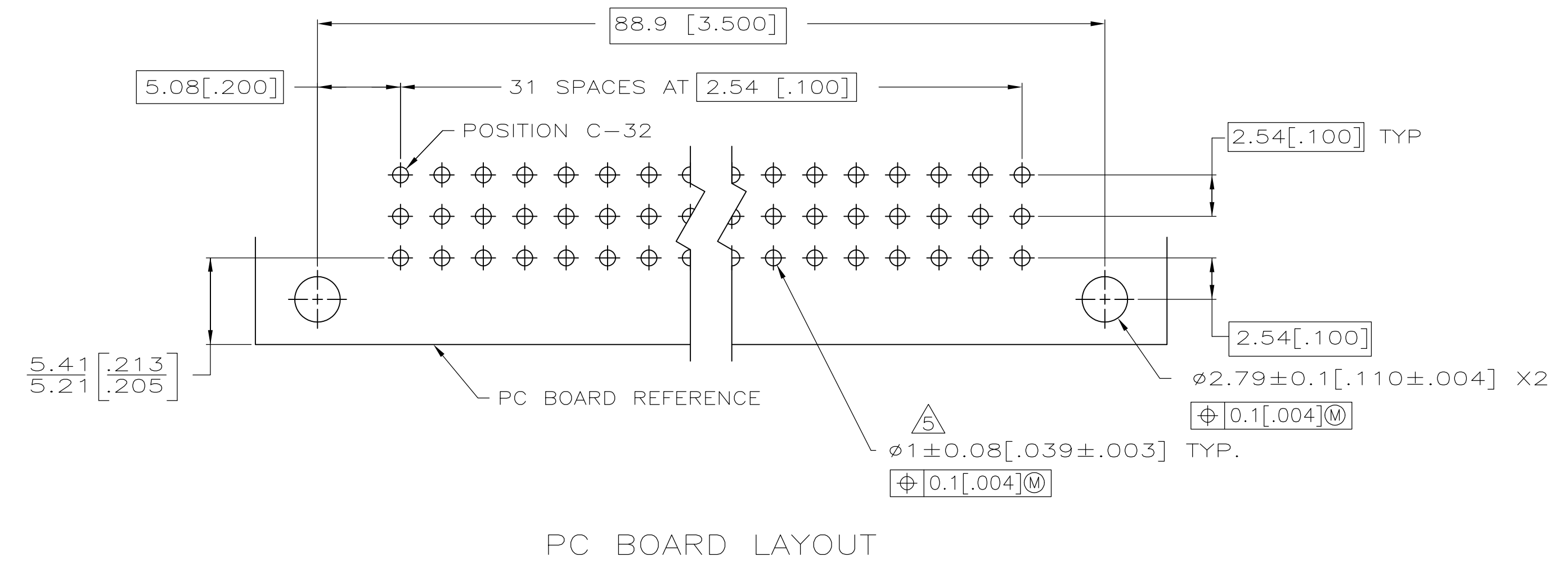
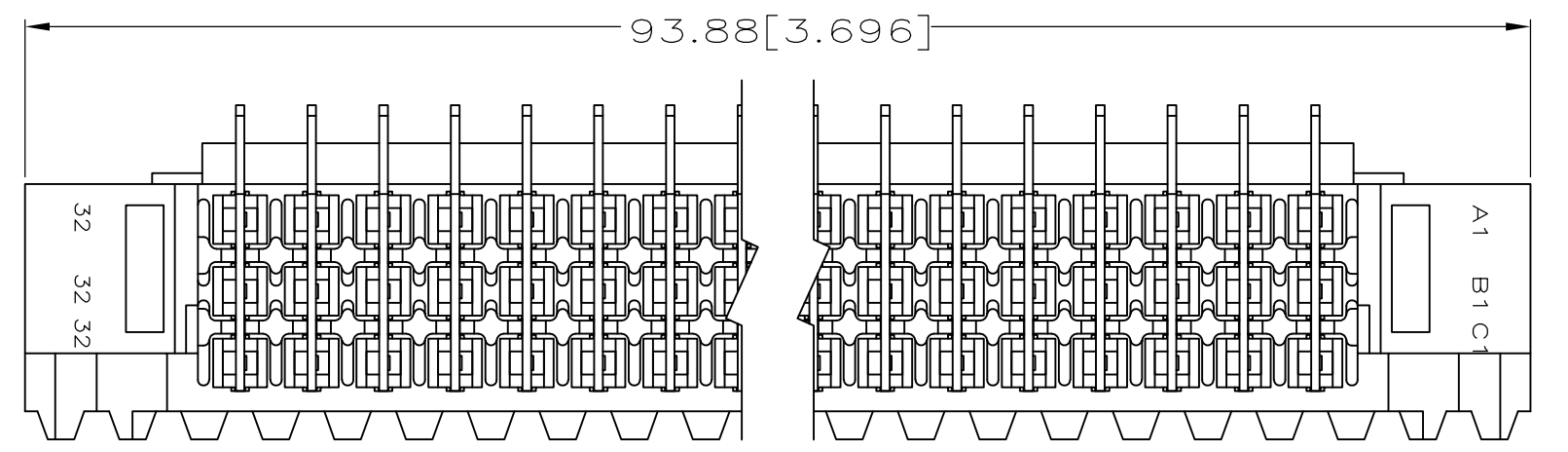


LOC		DIST		REVISIONS			
P	LTR	DESCRIPTION	DATE	OWN	APP'D		
S1		REVISED PER ECO-11-004835	11MAR11	RK	HMR		



SECTION Y-Y



PC BOARD LAYOUT

1. DIMENSIONS IN BRACKETS ARE IN INCHES.
2. HOUSING MATERIAL: GLASS-FILLED POLYESTER. COLOR: GRAY.
3. CONTACT MATERIAL: PHOSPHOR BRONZE.
4. CONTACT FINISH: 0.00076 [.000030] GOLD IN CONTACT AREA. 0.00127 [.000050] NICKEL UNDERPLATE ALL OVER. TIN-LEAD ON POSTS.
5. RECOMMENDED HOLE SIZE FOR MANUAL APPLICATION OF CONNECTOR ONTO PC BOARD.
6. PART NUMBER, DATE CODE IDENTIFICATION, CSA LOGO HOT-STAMPED THIS APPROXIMATE AREA.
7. CONTACT POINT.
8. HOT-STAMPING ON THIS SIDE.
9. CONTACT FINISH: DIN 41612 CLASS 3 IN CONTACT AREA. TIN-LEAD ON POSTS.
10. CONTACT FINISH: 0.00127 [.000050] GOLD IN CONTACT AREA. 0.00127 [.000050] NICKEL UNDERPLATE ALL OVER. TIN-LEAD ON POSTS.
11. CONTACT FINISH: DIN 41612 CLASS 2 IN CONTACT AREA. TIN-LEAD ON POSTS.

OBSOLETE	POSITIONS LOADED	ROWS LOADED			NO. OF LOADED POSITION	ASSY PART NUMBER
		C	B	A		
	1 THRU 32	X	X	X	96	650461-9
	1 THRU 32	X	X	X	96	650461-6
	1 THRU 32	X	X	X	96	650461-5
	1 THRU 32	X	X	X	96	650461-4
	1 THRU 32	X	X	X	96	650461-1

THIS DRAWING IS A CONTROLLED DOCUMENT.		OWN L. BRINER	13MAR90	NAME	
DIMENSIONS: mm(INCHES)		CHK N. DRASHER	24OCT90	ASSEMBLY, RECEPTACLE, EUROCARD, TYPE R, 96 POSITION	
TOLERANCES UNLESS OTHERWISE SPECIFIED:		APVD N. DRASHER	24OCT90	PRODUCT SPEC	
0 PLC ± -		APPLICATION SPEC		SIZE CAGE CODE DRAWING NO	
1 PLC ± -		WEIGHT		A1 00779 C=650461	
2 PLC ± -		SCALE		4:1 SHEET 1 OF 1 REV S1	
3 PLC ± 0.13(.005)		CUSTOMER DRAWING			
4 PLC ± -					
ANGLES ± -					

X-ON Electronics

Largest Supplier of Electrical and Electronic Components

Click to view similar products for [DIN 41612 Connectors](#) category:

Click to view products by [TE Connectivity](#) manufacturer:

Other Similar products are found below :

[09231126901](#) [PCN10F-24P-2.54DS\(72\)](#) [004.767](#) [02221602702](#) [024069](#) [602427301412000](#) [013275](#) [691327-1](#) [74670-0732](#) [74680-0340](#)
[75880-0015](#) [76453-0014](#) [86093159ALF](#) [923454](#) [QLC260R](#) [120X10099X](#) [120X10019X](#) [120X10089X](#) [120X10129X](#) [121A10039X](#)
[121A10309X](#) [122A10019X](#) [122A10029X](#) [122A10249X](#) [122A10669X](#) [122A11089X](#) [122A13089X](#) [121B10409X](#) [122A10089X](#)
[122A10129X](#) [122A10349X](#) [122A13359X](#) [1377391-4](#) [DIN-048CPC-SR1-MH](#) [1393583-2](#) [1393726-7](#) [140X10059X](#) [140X10129X](#) [143-1913-](#)
[000](#) [143-1908-000](#) [1484472-1](#) [173052](#) [2110070-1](#) [2110070-2](#) [CBC20T00-008FDS5-0-1-002VR](#) [983-0SE12-12P6](#) [17041102202](#) [172699-](#)
[5036](#) [173051](#) [20](#) [8457096](#) [010](#) [025](#)