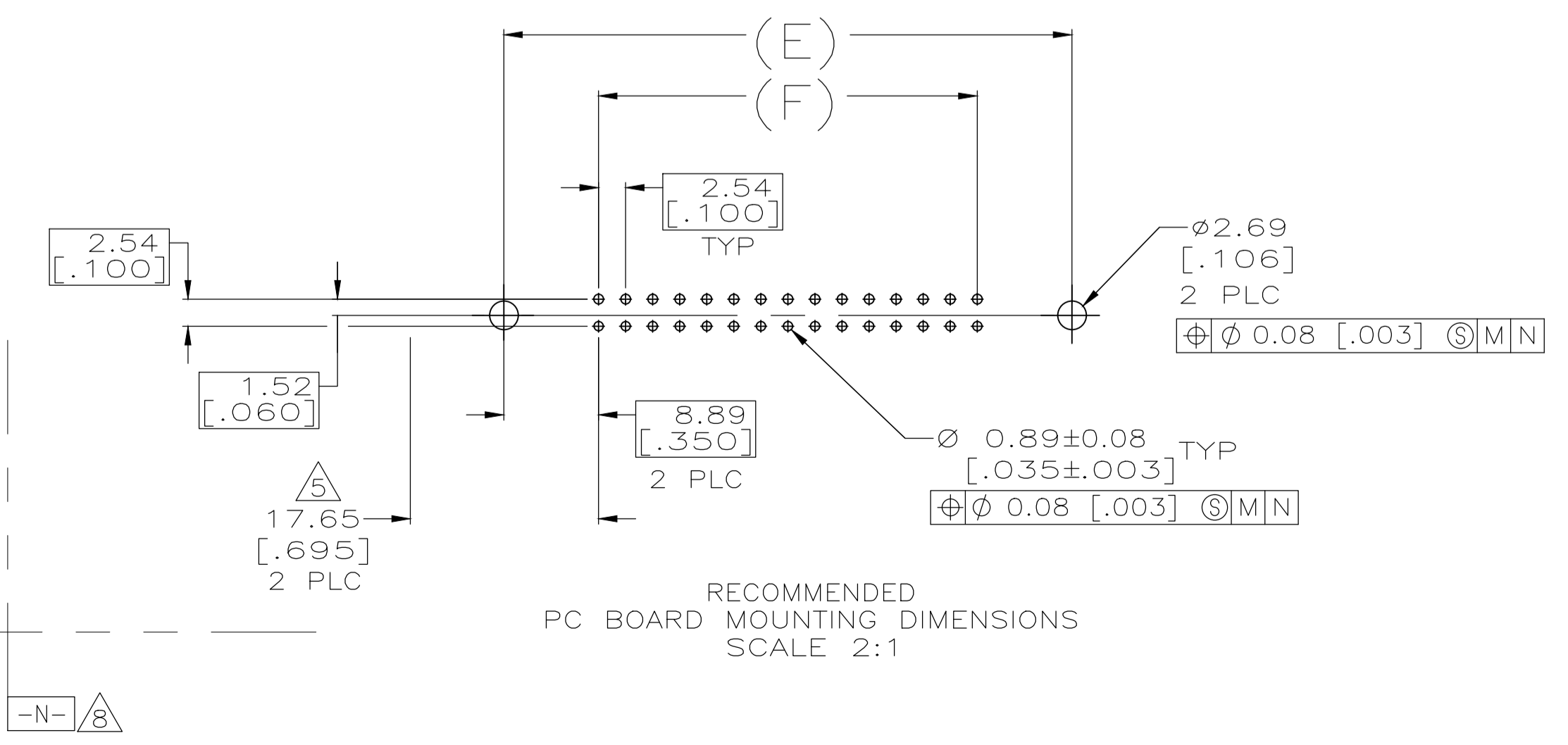
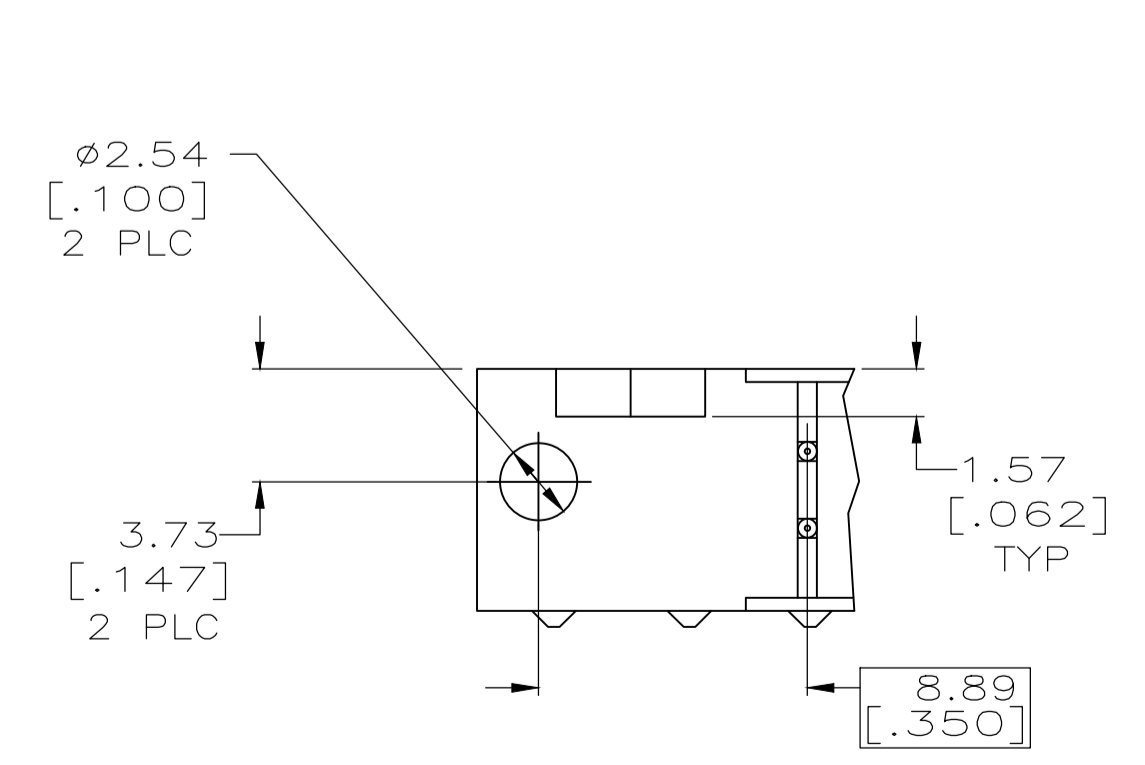
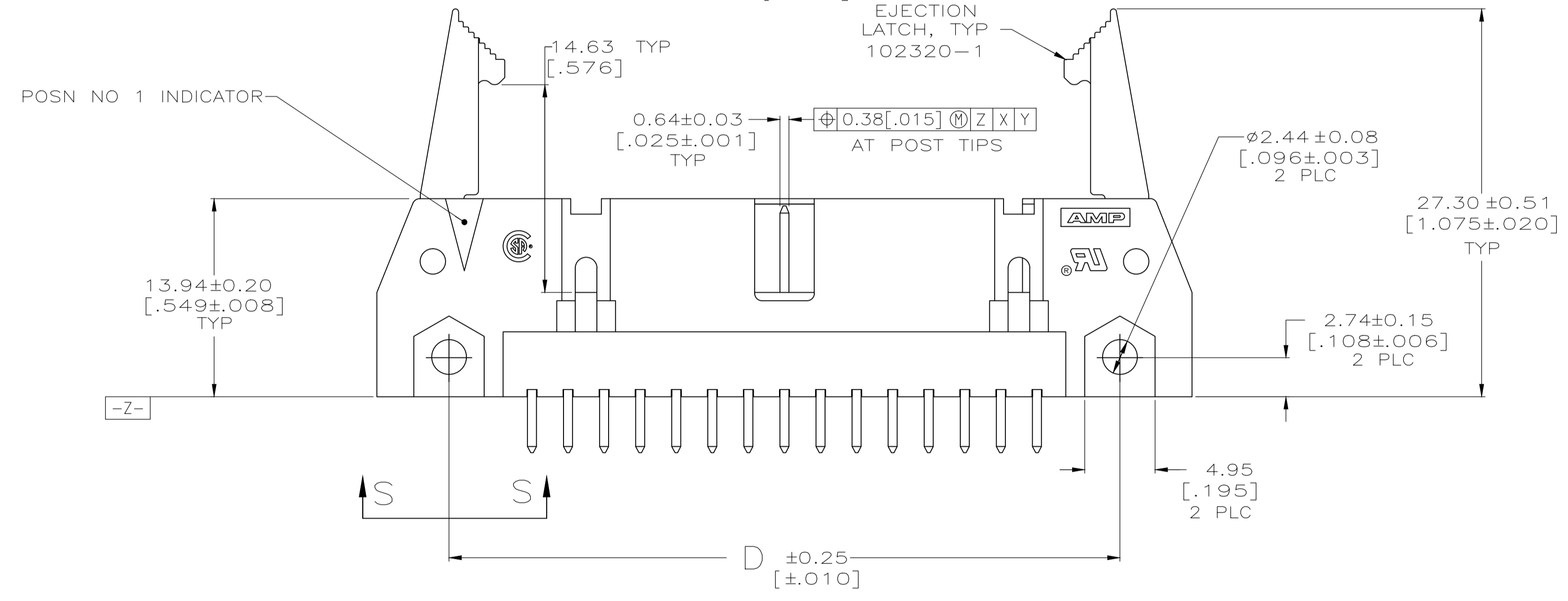
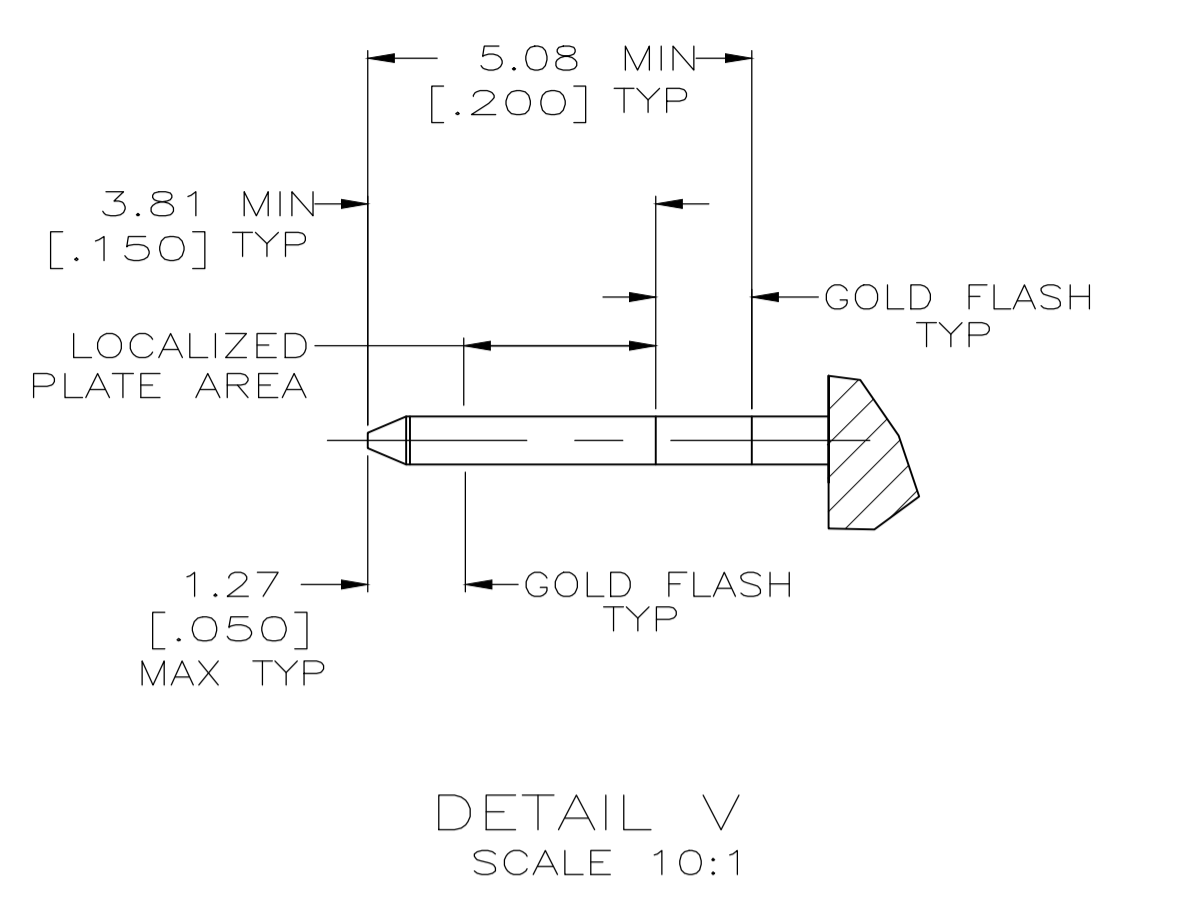
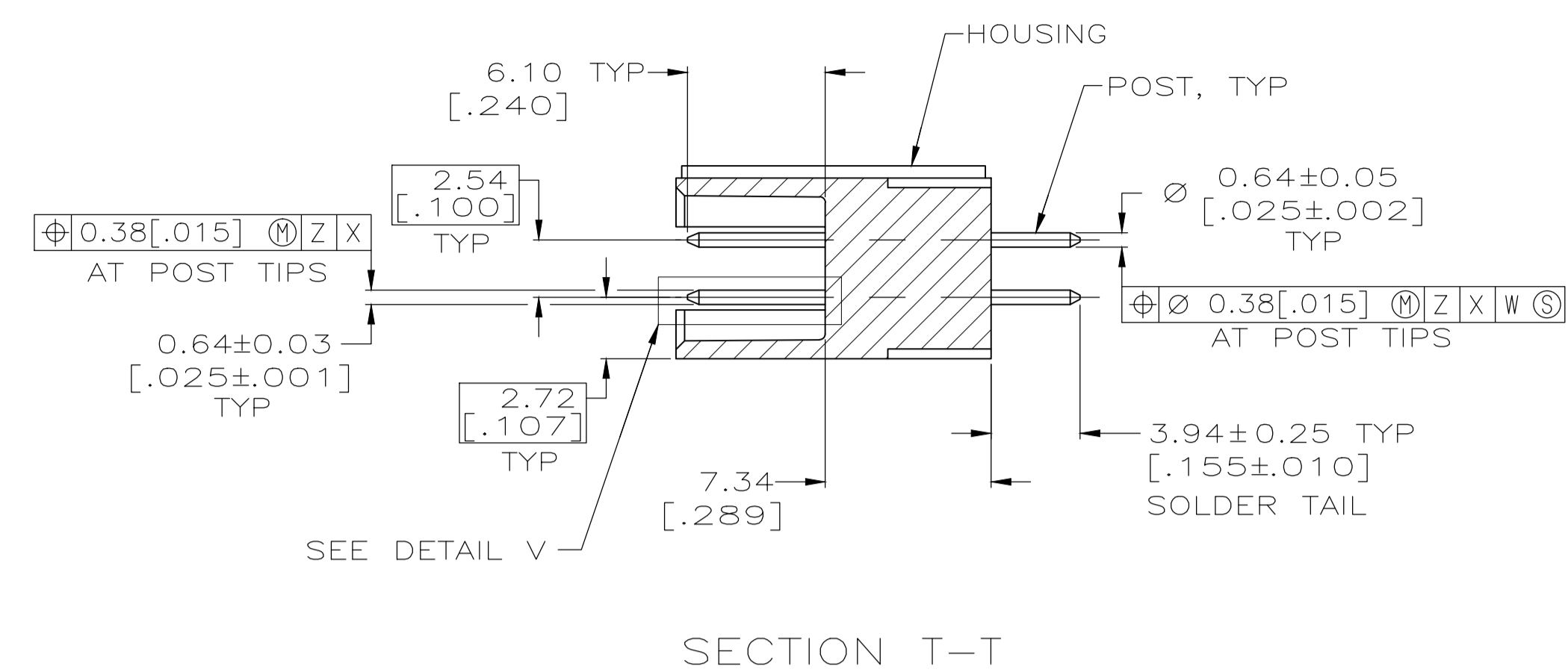
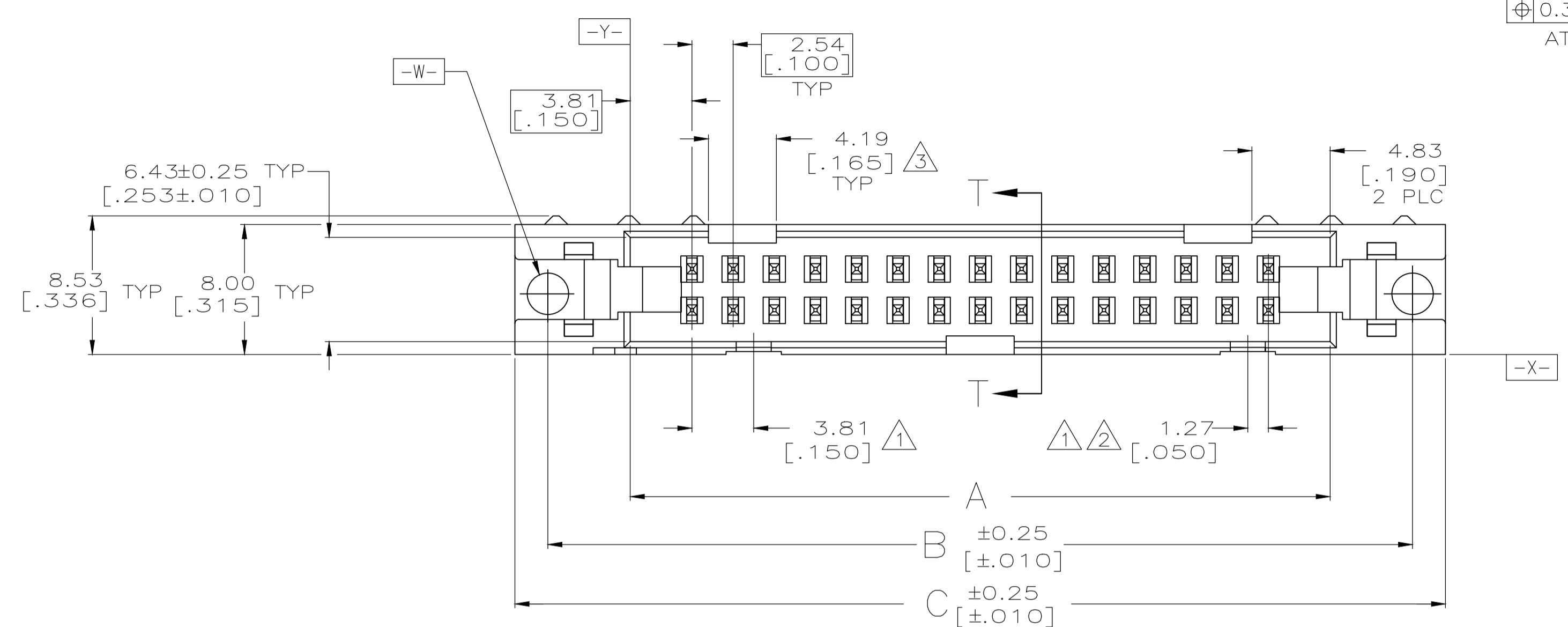


REVISIONS					
P	LTR	DESCRIPTION	DATE	DWN	APVD
E2	REVISED PER	ECR-17-004961	06APR2017	IT	WH

WITH LONG EJECT LATCH: 102320-1/-3

EJECTION LATCHES OMITTED IN THIS VIEW FOR CLARITY



	BLUE	53.34	71.12	65.02	75.18	71.12	60.96	44	3-5102321-3
OBSOLETE	BLUE	78.74	96.52	90.42	100.58	96.52	86.36	64	3-5102321-2
	BLUE	73.66	91.44	85.34	95.50	91.44	81.28	60	3-5102321-1
	BLUE	60.96	78.74	72.64	82.80	78.74	68.58	50	3-5102321-0
OBSOLETE	BLUE	48.26	66.04	59.94	70.10	66.04	55.88	40	2-5102321-9
OBSOLETE	BLUE	40.64	58.42	52.32	62.48	58.42	48.26	34	2-5102321-8
	BLUE	35.56	53.34	47.24	57.40	53.34	43.18	30	2-5102321-7
	BLUE	30.48	48.26	42.16	52.32	48.26	38.10	26	2-5102321-6
	BLUE	22.86	40.64	34.54	44.70	40.64	30.48	20	2-5102321-4
	BLUE	17.78	35.56	29.46	39.62	35.56	25.40	16	2-5102321-3
	BLUE	15.24	33.02	26.92	37.08	33.02	22.86	14	2-5102321-2
	BLUE	10.16	27.94	21.84	32.00	27.94	17.78	10	2-5102321-1
	BLACK	78.74	96.52	90.42	100.58	96.52	86.36	64	1-5102321-2
	BLACK	73.66	91.44	85.34	95.50	91.44	81.28	60	1-5102321-1
	BLACK	60.96	78.74	72.64	82.80	78.74	68.58	50	1-5102321-0
	BLACK	48.26	66.04	59.94	70.10	66.04	55.88	40	5102321-9
	BLACK	40.64	58.42	52.32	62.48	58.42	48.26	34	5102321-8
	BLACK	35.56	53.34	47.24	57.40	53.34	43.18	30	5102321-7
	BLACK	30.48	48.26	42.16	52.32	48.26	38.10	26	5102321-6
	BLACK	27.94	45.72	39.62	49.78	45.72	35.56	24	5102321-5
	BLACK	22.86	40.64	34.54	44.70	40.64	30.48	20	5102321-4
	BLACK	17.78	35.56	29.46	39.62	35.56	25.40	16	5102321-3
	BLACK	15.24	33.02	26.92	37.08	33.02	22.86	14	5102321-2
	BLACK	10.16	27.94	21.84	32.00	27.94	17.78	10	5102321-1
	COLOR	F	E	D	C	B	A	NO OF POSN	PART NUMBER

THIS DRAWING IS A CONTROLLED DOCUMENT.

DIN G. ATTADIA - 01-07-05  
 CJK S. BOLASH - 01-07-05  
 APVD M. WALMSLEY - 01-07-05

TE Connectivity

HEADER ASSY, UNIVERSAL, AMP-LATCH

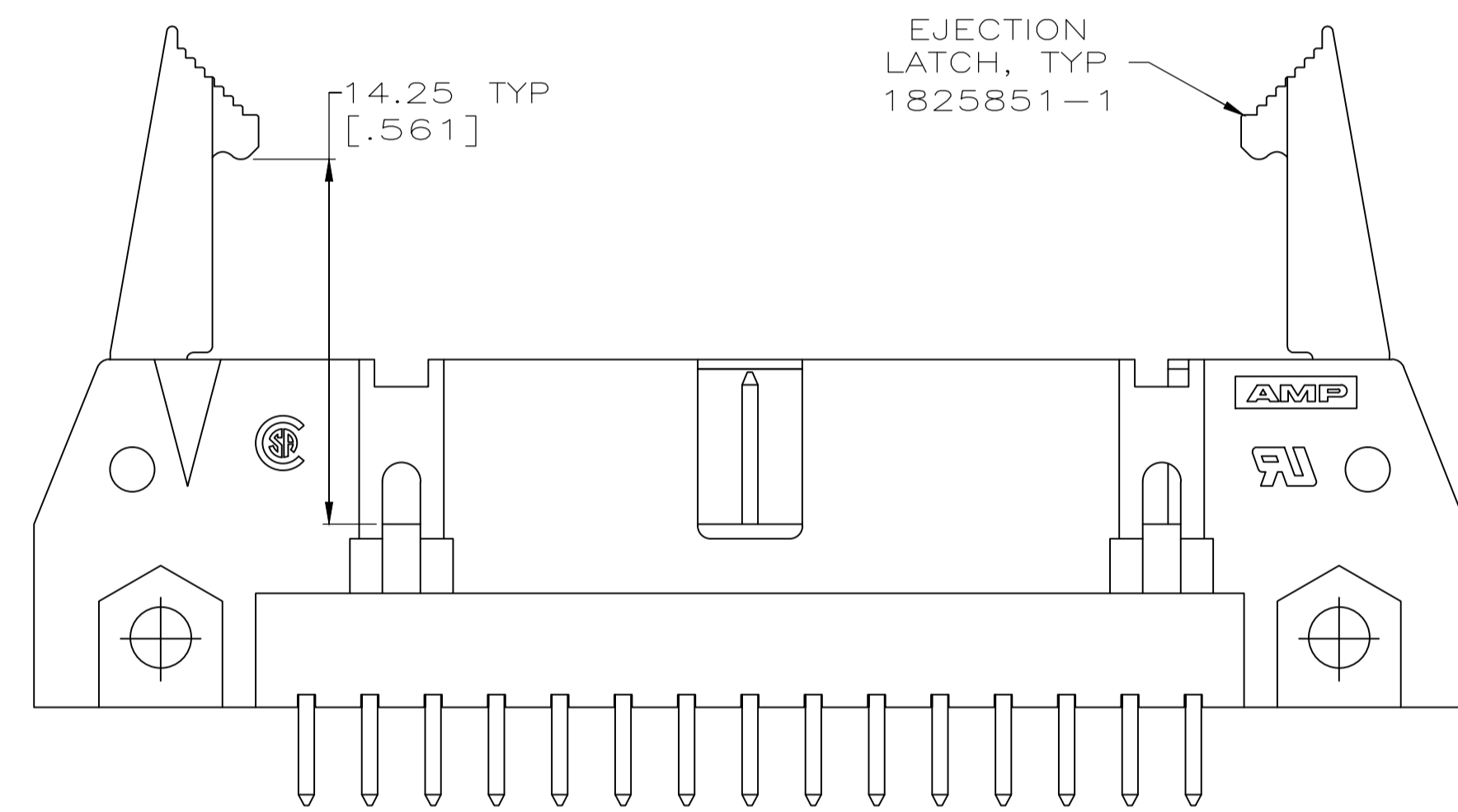
108-40018

0.000000 A1 00779 5102321

SCALE 4:1 SHEET 1 OF 2 REV E2

REVISIONS					
P	LTR	DESCRIPTION	DATE	DMN	APVD
-	-	SEE SHEET 1	-	-	-

WITH SPECIAL LONG EJECT LATCH: 1825851-1  $\triangle$



EXCEPTING LATCH LOCK HEIGHT  
ALL OTHER DIMENSIONS ARE SAME AS PAGE 1

- $\triangle$  1 COORDINATE DIMENSION APPLIES FROM BASIC LOCATION.
- $\triangle$  2 10 AND 14 POSITION SIZES CONTAIN ONLY ONE SLOT FOR SNAP-IN POLARIZER (MILITARY POLARIZATION) LOCATED AS SHOWN.
- $\triangle$  3 10 POSITION SIZE CONTAINS ONLY ONE SLOT FOR DUAL POLARIZATION, LOCATED AS SHOWN.
- 4. RECOMMENDED PRINTED CIRCUIT BOARD THICKNESS IS 3.18 [.125].
- $\triangle$  5 DISTANCE REQUIRED BY EJECTION LATCHES IN THE OPEN POSITION.
- $\triangle$  6 HOUSING & LATCHES: GLASS FILLED NYLON OR POLYESTER, UL94V-0 RATED, COLOR: SEE TABLE. POSTS: PH BRZ OR BRASS
- $\triangle$  7 POSTS: GOLD FLASH OVER PALLADIUM-NICKEL PLATE, 0.76 $\mu$ m [.000030] MIN TOTAL ON THE LOCALIZED PLATE AREA, 2.54 $\mu$ m [.000100] MIN TIN PLATE ON THE SOLDER-TAIL, 1.27 $\mu$ m [.000050] MIN NICKEL UNDERPLATE ON THE ENTIRE POST.  
-OR-  
0.76 $\mu$ m [.000030] MIN GOLD PLATE ON THE LOCALIZED PLATE AREA, 2.54 $\mu$ m [.000100] MIN TIN PLATE ON THE SOLDER-TAIL, 1.27 $\mu$ m [.000050] MIN NICKEL UNDERPLATE ON THE ENTIRE POST.
- $\triangle$  8 DATUMS -M- & -N- TO BE ESTABLISHED BY CUSTOMER.
- $\triangle$  9 LONG EJECT LATCHES (PART NO. 102320-1) WILL MATE WITH AMP-LATCH RECEPTACLES WITH STRAIN RELIEF & FEMALE SOCKET CONNECTORS WITH STRAIN RELIEF
- $\triangle$  10 SPECIAL LONG EJECT LATCHES (PART NO. 1825851-1) WILL MATE WITH AMPMODU MOD IV HOUSINGS WITH CENTER POLARIZATION KEY SIMILAR TO 102387 SERIES PART NUMBERS.

BLACK	60.96 [2.400]	78.74 [3.100]	72.64 [2.860]	82.80 [3.260]	78.74 [3.100]	68.58 [2.700]	50	8-5102321-0
BLACK	40.64 [1.600]	58.42 [2.300]	52.32 [2.060]	62.48 [2.460]	58.42 [2.300]	48.26 [1.900]	34	9-5102321-8
BLACK	30.48 [1.200]	48.26 [1.900]	42.16 [1.660]	52.32 [2.060]	48.26 [1.900]	38.10 [1.500]	26	9-5102321-6
BLACK	22.86 [.900]	40.64 [1.600]	34.54 [1.360]	44.70 [1.760]	40.64 [1.600]	30.48 [1.200]	20	9-5102321-4
BLACK	17.78 [.700]	35.56 [1.400]	29.46 [1.160]	39.62 [1.560]	35.56 [1.400]	25.40 [1.000]	16	9-5102321-3
BLACK	15.24 [.600]	33.02 [1.300]	26.92 [1.060]	37.08 [1.460]	33.02 [1.300]	22.86 [.900]	14	9-5102321-2
BLACK	10.16 [.400]	27.94 [1.100]	21.84 [.860]	32.00 [1.260]	27.94 [1.100]	17.78 [.700]	10	9-5102321-1
COLOR	F	E	D	C	B	A	NO OF POSN	PART NUMBER

THIS DRAWING IS A CONTROLLED DOCUMENT.		DIN G. ATTADIA - 01-07-05 C/K S. BOLASH 01-07-05		APVD M. WALMSLEY 01-07-05		NAME		TE Connectivity	
DIMENSIONS: INCHES		TOLERANCES UNLESS OTHERWISE SPECIFIED:		PRODUCT SPEC		APPLICATION SPEC		RESTRICTED TO	
0 PLC ± -		1 PLC ± -		108-40018		SIZE		DRAWING NO	
2 PLC ± 0.13[.005]		3 PLC ± -		A1		00779		5102321	
4 PLC ± -		ANGLES ± -		WEIGHT		SCALE		SHEET	
MATERIAL		FINISH		0.000000		4:1		2 OF 2	
				CUSTOMER DRAWING				REV E2	