

**Single Row, .156 [3.96] Centers**

Mod I Headers

7

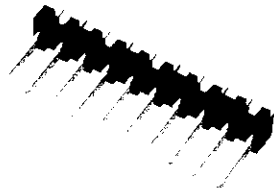


Photo 110972

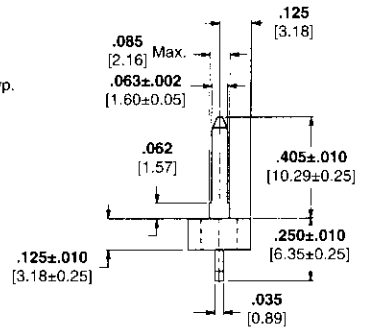
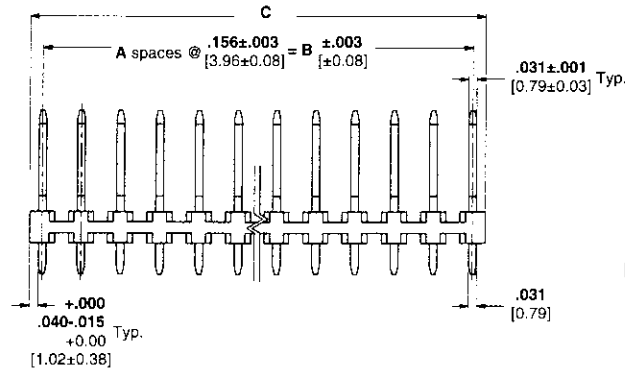
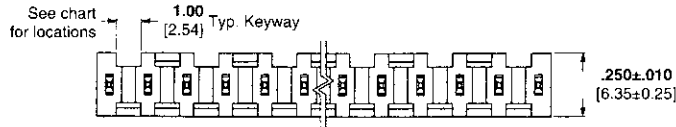
**Material and Finish:**

**Housing**—Black thermoplastic, 94V-0 rated

**Posts**—Brass, plated as follows:

**Plating A**—Selectively plated .000030 [0.00076] gold on contact area, with gold flash over .000050 [0.00127] min. nickel on entire post

**Plating B**—.000100-.000200 [0.00254-0.00508] bright tin-lead over .000030 [0.00762] nickel on entire post



**Related Product Data:**

**Mate with**

Board Mount Receptacles—pages 303 & 304

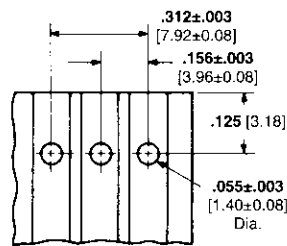
Board Mount Receptacle Assemblies—pages 305-307

Crimp Snap-In Receptacles and Housings—pages 308-310

Locking Clip Contacts & Housings—pages 317 & 318 (see page 317 for recommended post length).

**Performance Specifications**—page 324

**Technical Documents** (page 324):



Recommended Board Layout



Keyway Locations (Ref only)

No. of Pos.	Dimensions			No. of Keying Slots	Post Height D=.405 [10.29]		Post Height D=.587 [14.91]		Keyway Locations
	A	B	C		Plating A	Plating B	Plating A	Plating B	
2	1	.156 [3.96]	.267 [6.78]	1	85829-2	87160-4	87247-2	87262-2	A
3	2	.312 [7.92]	.423 [10.74]	1	85829-3	87160-5	87247-3	87262-3	A
4	3	.468 [11.89]	.579 [14.71]	2	85829-4	87160-6	87247-4	87262-4	A,C
5	4	.624 [15.85]	.735 [18.67]	2	85829-5	87160-1	87247-5	87262-5	A,D
6	5	.780 [19.81]	.891 [22.63]	3	85829-6	87160-7	87247-6	87262-6	A,C,E
7	6	.936 [23.77]	1.047 [26.59]	3	85829-7	87160-8	87247-7	87262-7	A,C,E
8	7	1.092 [27.74]	1.203 [30.56]	4	85829-8	87160-9	87247-8	87262-8	A,C,E,G
9	8	1.248 [31.70]	1.359 [34.52]	3	85829-9	1-87160-0	87247-9	87262-9	A,D,G
10	9	1.404 [35.66]	1.515 [38.48]	5	1-85829-0	1-87160-1	1-87247-0	1-87262-0	A,C,E,G,J
11	10	1.560 [39.62]	1.671 [42.44]	4	1-85829-1	1-87160-2	1-87247-1	1-87262-1	A,D,G,K
12	11	1.716 [43.59]	1.827 [46.41]	6	1-85829-2	1-87160-3	1-87247-2	1-87262-2	A,C,E,G,J,L
13	12	1.872 [47.55]	1.983 [50.37]	4	1-85829-3	87160-2	1-87247-3	1-87262-3	A,D,J,M
14	13	2.028 [51.51]	2.139 [54.33]	7	1-85829-4	1-87160-4	1-87247-4	1-87262-4	A,C,E,G,J,L,N
15	14	2.184 [55.47]	2.295 [58.29]	5	1-85829-5	1-87160-5	1-87247-5	1-87262-5	A,D,G,K,N
16	15	2.340 [59.44]	2.451 [62.26]	8	1-85829-6	1-87160-6	1-87247-6	1-87262-6	A,C,E,G,J,L,N,Q
17	16	2.496 [63.40]	2.607 [66.22]	6	1-85829-7	1-87160-7	1-87247-7	1-87262-7	A,D,G,K,N,R
18	17	2.652 [67.36]	2.763 [70.18]	7	1-85829-8	1-87160-8	1-87247-8	1-87262-8	A,D,F,J,M,P,S
19	18	2.808 [71.32]	2.919 [74.14]	8	1-85829-9	1-87160-9	1-87247-9	1-87262-9	B,D,F,J,L,N,Q,S
20	19	2.964 [75.29]	3.075 [78.11]	10	2-85829-0	2-87160-0	2-87247-0	2-87262-0	A,C,E,G,J,L,N,Q,S,U
21	20	3.120 [79.25]	3.231 [82.07]	7	2-85829-1	2-87160-1	2-87247-1	2-87262-1	A,D,G,K,N,R,U
22	21	3.276 [83.21]	3.387 [86.03]	11	2-85829-2	2-87160-2	2-87247-2	2-87262-2	A,C,E,G,J,L,N,Q,S,U,W
23	22	3.432 [87.17]	3.543 [89.99]	8	2-85829-3	2-87160-3	2-87247-3	2-87262-3	A,D,G,K,N,R,U,X
24	23	3.588 [91.14]	3.699 [93.95]	12	2-85829-4	2-87160-4	2-87247-4	2-87262-4	A,C,E,G,J,L,N,Q,S,U,W,Y
25	24	3.744 [95.10]	3.855 [97.92]	11	2-85829-5	2-87160-5	2-87247-5	2-87262-5	A,C,E,H,K,M,Q,S,U,W,Y

## X-ON Electronics

Largest Supplier of Electrical and Electronic Components

*Click to view similar products for [Headers & Wire Housings](#) category:*

*Click to view products by [TE Connectivity](#) manufacturer:*

Other Similar products are found below :

[95000-104TRLF](#) [10135584-644402LF](#) [DF62W-EP2022PCA](#) [95000-106TRLF](#) [DF62W-2022SCA](#) [DF62W-EP2022PC](#) [2203348](#) [DF62W-2022SC](#) [1084018](#) [1029039](#) [1084017](#) [802-10-012-10-002000](#) [1112640](#) [1112639](#) [000-34000](#) [0009482033](#) [0009507031](#) [57102-S06-03LF](#) [57202-S52-04LF](#) [PCN6-15S-2.5E](#) [0039019024](#) [58102-G61-06LF](#) [582553-1](#) [0009485154](#) [0009508121](#) [0022285053](#) [0050291907](#) [018731A](#) [LY20-4P-DT1-P1E-BR](#) [02.125.8002.8](#) [60101931](#) [60598-1 \(Cut Strip\)](#) [M1625-3R/100](#) [61062-3](#) [61082-181009](#) [636-1427](#) [638009-1](#) [641938-9](#) [641991-4](#) [644168-1](#) [647662-1](#) [65039-019ELF](#) [65817-002LF](#) [65817-015LF](#) [65863-015LF](#) [66207-023LF](#) [67016-026LF](#) [67046-001LF](#) [67095-007LF](#) [67230-005LF](#)