

THIS DRAWING IS UNPUBLISHED.

RELEASED FOR PUBLICATION

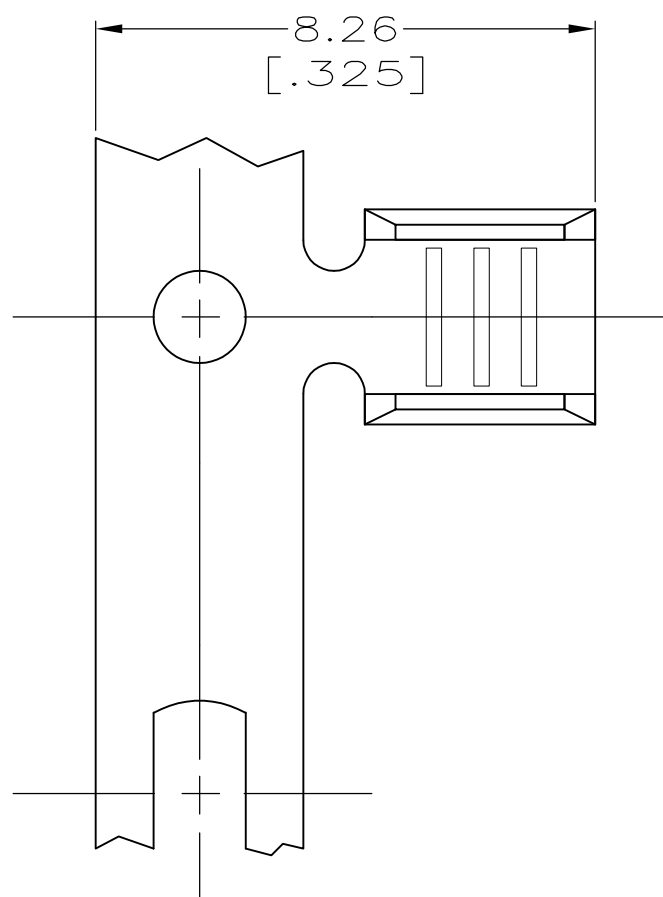
ALL RIGHTS RESERVED.

© COPYRIGHT - By -

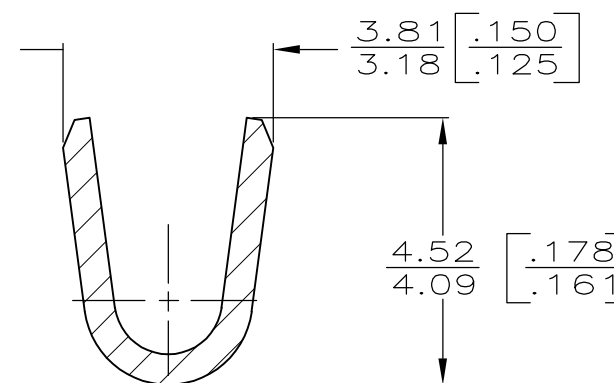
LOC	DIST	REVISIONS					
AF	50	P	LTR	DESCRIPTION	DATE	DWN	APVD
			L4	REVISED PER ECO-15-011479	06AUG15	JR	MD

6 OBSOLETE PARTS: OBSOLETE CIS STREAMLINING PER D.RENAUD/D.SINISI

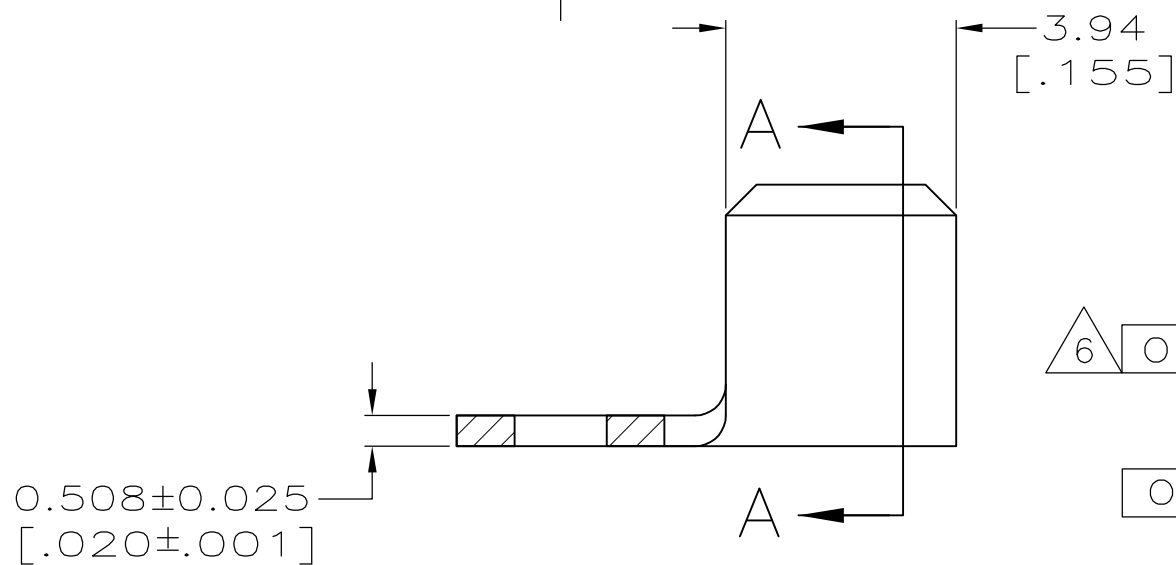
7 CUSTOMER SPECIAL PACKAGING AND LABELING



- 1 PRODUCT PROVIDED IN STRIP FORM ON REELS, BREAKS MAY BE PRESENT.
- 3 CRIMP WIDTH, .110 F TYPE  
CRIMP HEIGHT (±.002) = ( TOTAL CMA + 11,300 ) / 176,700
- 4 PRELIMINARY - NOT FOR PRODUCTION.
- 5 WIRE RANGE FOR NEW APPLICATIONS: 1500-5000 CMA (WIRE RANGE APPROVED FOR APPLICATIONS IMPLEMENTED PRIOR TO 2005: 1970-4940 CMA).



SECTION A-A SCALE 10:1



7	BRASS	TIN	REVERSE	-	5	63130-9
	STEEL	NICKEL				4
6	COPPER-NICKEL	NONE	-	-	4	63130-7
	PHOS BRONZE	TIN				5
OBSOLETE	BRASS	NONE	STANDARD	-	3	63130-3
	BRASS	NONE				3
						63130-1
	MATERIAL	FINISH	REELING	WIRE RANGE		PART NUMBER

THIS DRAWING IS A CONTROLLED DOCUMENT.		DWN 17/JAN/96 PHILLIP M FORTNEY	<b>STE</b> TE Connectivity			
DIMENSIONS: INCHES		CHK 17/JAN/96 JEFF R RUTH				
TOLERANCES UNLESS OTHERWISE SPECIFIED:		APVD 17/JAN/96 DENNIS SCHWENK	NAME -			
0 PLC ± -		PRODUCT SPEC	-			
1 PLC ± -		APPLICATION SPEC	-			
2 PLC ± 0.25 [.010]		114-2088	SIZE	CAGE CODE	DRAWING NO	RESTRICTED TO
3 PLC ± -		WEIGHT	A3	00779	C-63130	-
4 PLC ± -			CUSTOMER DRAWING			
ANGLES ± -			SCALE	SHEET	REV	
FINISH SEE TABLE			8:1	1 OF 1	L4	

## X-ON Electronics

Largest Supplier of Electrical and Electronic Components

*Click to view similar products for [Terminals](#) category:*

*Click to view products by [TE Connectivity](#) manufacturer:*

Other Similar products are found below :

[HT-13-10](#) [71M-250-32-NB](#) [01-2065-1-0216](#) [00581P0075](#) [M10-10RX](#) [M10BCK](#) [60205-1](#) [604200-1](#) [60598-1-CUT-TAPE](#) [60617-1-C](#) [60873-1](#) [M14-516R/SK](#) [M14-6RSX](#) [M18-10FLX](#) [M18-8FBX](#) [M18-8R/LX](#) [M18BCK](#) [61314-6-C](#) [61-S](#) [61-SN-A](#) [62-NBM-A](#) [63-S](#) [640179-1](#) [640917-2-CUT-TAPE](#) [6501550002](#) [66107-2-C](#) [696683-1](#) [696834-1](#) [696861-1](#) [696931-1](#) [696999-1](#) [M8-516RK](#) [M86700006](#) [MA250DMFMX-A](#) [701-2007](#) [701-2307](#) [701-7761-03](#) [70F-110-32-PB](#) [718-N-A](#) [71M-187-20-NBL](#) [71M-250-32-NBL](#) [72F-187-20-NBL](#) [72M-250-32-NBL](#) [7310](#) [73F-250-32](#) [73F-250-32-NBL](#) [73F-250-32-NL](#) [F14-10C](#) [F-1M](#) [751-250](#)