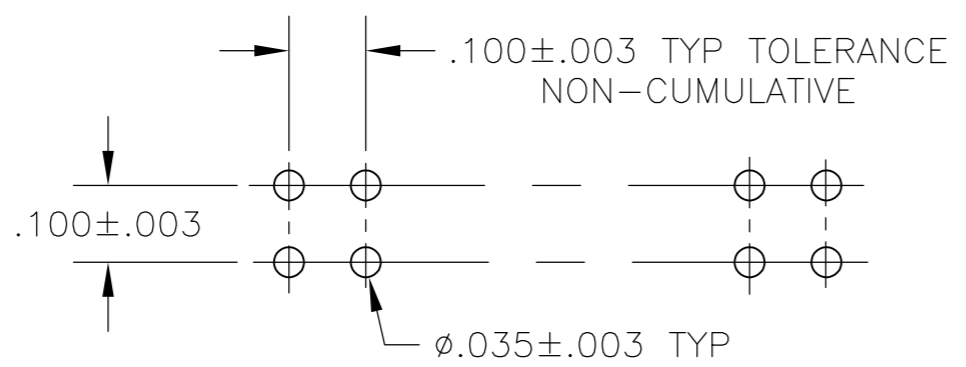
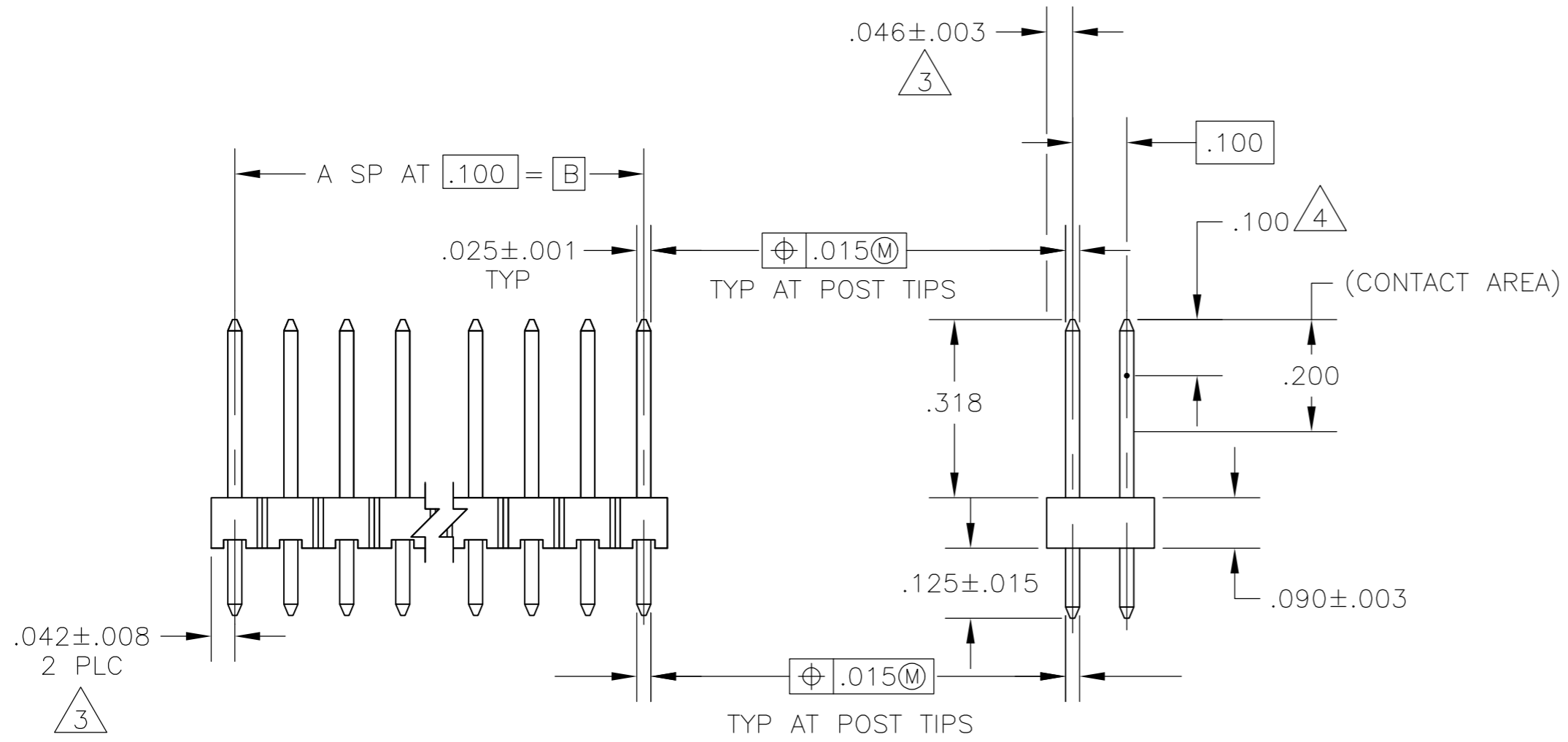
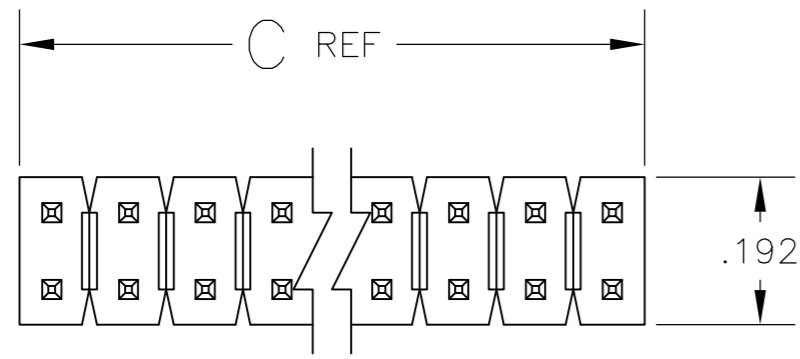


THIS DRAWING IS UNPUBLISHED. RELEASED FOR PUBLICATION
 © COPYRIGHT - By - ALL RIGHTS RESERVED.

LOC	DIST	REVISIONS					
AD	00	P	LTR	DESCRIPTION	DATE	DWN	APVD
		H1		REVISED PER ECO-15-010569	23JUL2015	NK	MM

- 1 ASSEMBLY MAY BE BROKEN TO THE DESIRED NUMBER OF POSITIONS
- 2 TRUE POSITION TOLERANCE OF THE POST TIPS APPLIES WHEN THE HEADER IS HELD FLAT AGAINST THE PRINTED CIRCUIT BOARD
- 3 THE NOTED DIMENSIONS APPLY AT THE INTERSECTION OF THE POST AND HOUSING
- 4 POINT OF MEASUREMENT FOR PLATING THICKNESS
- 5 OBSOLETE PARTS: OBSOLETE CIS STREAMLINING PER D.RENAUD/D.SINISI



RECOMMENDED HOLE LAYOUT

	C	B	A	NO OF POSN	PART NUMBER
	3.984	3.900	39	80	4-102977-0
5 OBSOLETE	3.884	3.800	38	78	3-102977-9
	3.784	3.700	37	76	3-102977-8
	3.684	3.600	36	74	3-102977-7
	3.584	3.500	35	72	3-102977-6
5 OBSOLETE	3.484	3.400	34	70	3-102977-5
	3.384	3.300	33	68	3-102977-4
	3.284	3.200	32	66	3-102977-3
	3.184	3.100	31	64	3-102977-2
5 OBSOLETE	3.084	3.000	30	62	3-102977-1
	2.984	2.900	29	60	3-102977-0
	2.884	2.800	28	58	2-102977-9
	2.784	2.700	27	56	2-102977-8
	2.684	2.600	26	54	2-102977-7
	2.584	2.500	25	52	2-102977-6
	2.484	2.400	24	50	2-102977-5
5 OBSOLETE	2.384	2.300	23	48	2-102977-4
	2.284	2.200	22	46	2-102977-3
5 OBSOLETE	2.184	2.100	21	44	2-102977-2
	2.084	2.000	20	42	2-102977-1
	1.984	1.900	19	40	2-102977-0
5 OBSOLETE	1.884	1.800	18	38	1-102977-9
	1.784	1.700	17	36	1-102977-8
	1.684	1.600	16	34	1-102977-7
	1.584	1.500	15	32	1-102977-6
	1.484	1.400	14	30	1-102977-5
	1.384	1.300	13	28	1-102977-4
	1.284	1.200	12	26	1-102977-3
	1.184	1.100	11	24	1-102977-2
	1.084	1.000	10	22	1-102977-1
5 OBSOLETE	.984	.900	9	20	1-102977-0
	.884	.800	8	18	102977-9
	.784	.700	7	16	102977-8
	.684	.600	6	14	102977-7
	.584	.500	5	12	102977-6
	.484	.400	4	10	102977-5
	.384	.300	3	8	102977-4
	.284	.200	2	6	102977-3
	.184	.100	1	4	102977-2
	.084	—	—	2	102977-1

THIS DRAWING IS A CONTROLLED DOCUMENT.		DWN H MOLL 15OCT87	TE Connectivity	
DIMENSIONS: INCHES		CHK T. CLARK 20OCT87		
TOLERANCES UNLESS OTHERWISE SPECIFIED:		APVD T. CLARK 20OCT87	NAME	
0 PLC ± - 1 PLC ± - 2 PLC ± - 3 PLC ± .005 4 PLC ± - ANGLES ± -		PRODUCT SPEC	HEADER ASSY, MOD II, BREAKAWAY, DOUBLE ROW, .100X.100 CL, VERTICAL, WITH .025 SQ POSTS	
MATERIAL HOUSING: FLAME RETARDANT THERMOPLASTIC COLOR-BLACK POST: COPPER ALLOY		APPLICATION SPEC	SIZE A2	CAGE CODE 00779
FINISH .00030 GOLD ON CONTACT AREA .00100-.00200 MATTE TIN-LEAD ON SOLDER TAIL ALL OVER .00050NICKEL		WEIGHT -	DRAWING NO C=102977	RESTRICTED TO -
CUSTOMER DRAWING			SCALE 4:1	SHEET 1 OF 1

X-ON Electronics

Largest Supplier of Electrical and Electronic Components

Click to view similar products for [Headers & Wire Housings](#) category:

Click to view products by [TE Connectivity](#) manufacturer:

Other Similar products are found below :

[95000-104TRLF](#) [10135584-644402LF](#) [DF62W-EP2022PCA](#) [95000-106TRLF](#) [DF62W-2022SCA](#) [DF62W-EP2022PC](#) [2203348](#) [DF62W-2022SC](#) [1084018](#) [1029039](#) [1084017](#) [802-10-012-10-002000](#) [1112640](#) [1112639](#) [000-34000](#) [0009482033](#) [0009507031](#) [57102-S06-03LF](#) [57202-S52-04LF](#) [PCN6-15S-2.5E](#) [0039019024](#) [58102-G61-06LF](#) [582553-1](#) [0009485154](#) [0009508121](#) [0022285053](#) [0050291907](#) [018731A](#) [LY20-4P-DT1-P1E-BR](#) [02.125.8002.8](#) [60101931](#) [60598-1 \(Cut Strip\)](#) [M1625-3R/100](#) [61062-3](#) [61082-181009](#) [636-1427](#) [638009-1](#) [641938-9](#) [641991-4](#) [644168-1](#) [647662-1](#) [65039-019ELF](#) [65817-002LF](#) [65817-015LF](#) [65863-015LF](#) [66207-023LF](#) [67016-026LF](#) [67046-001LF](#) [67095-007LF](#) [67230-005LF](#)