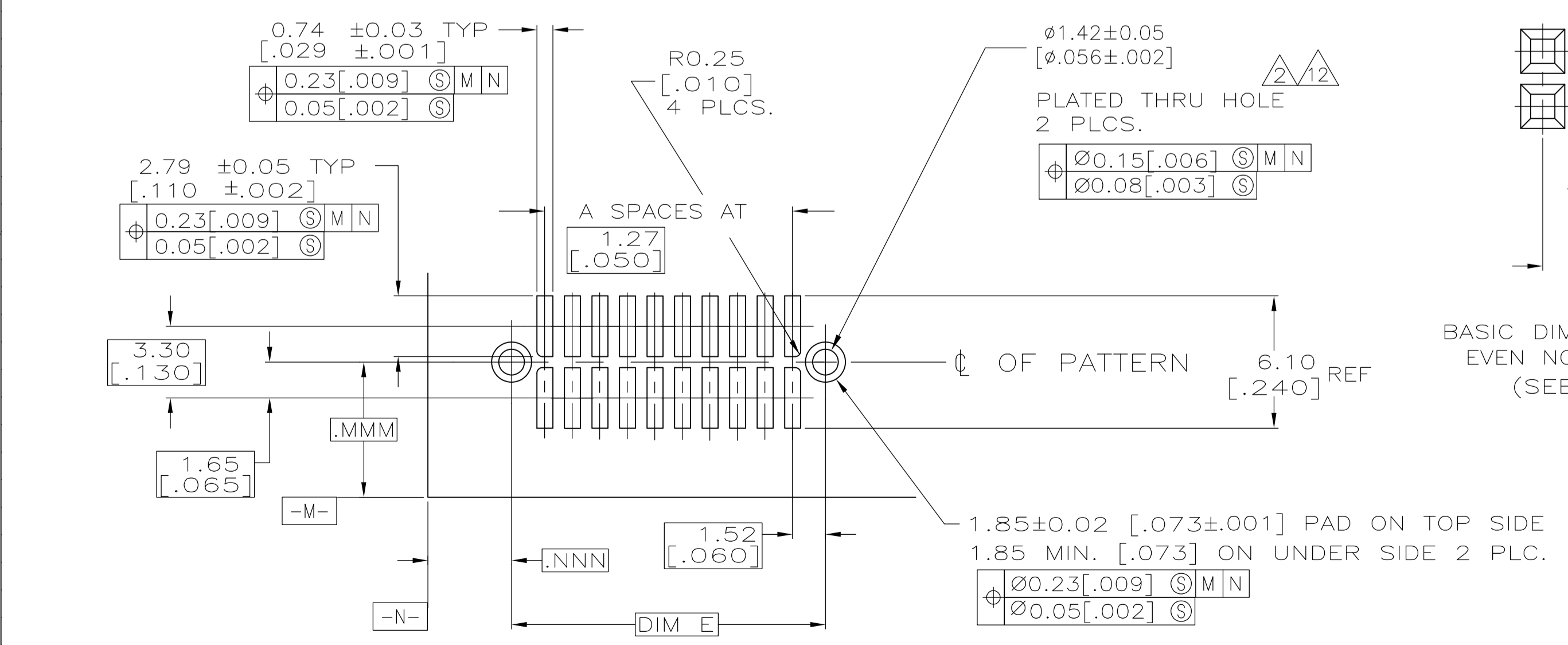
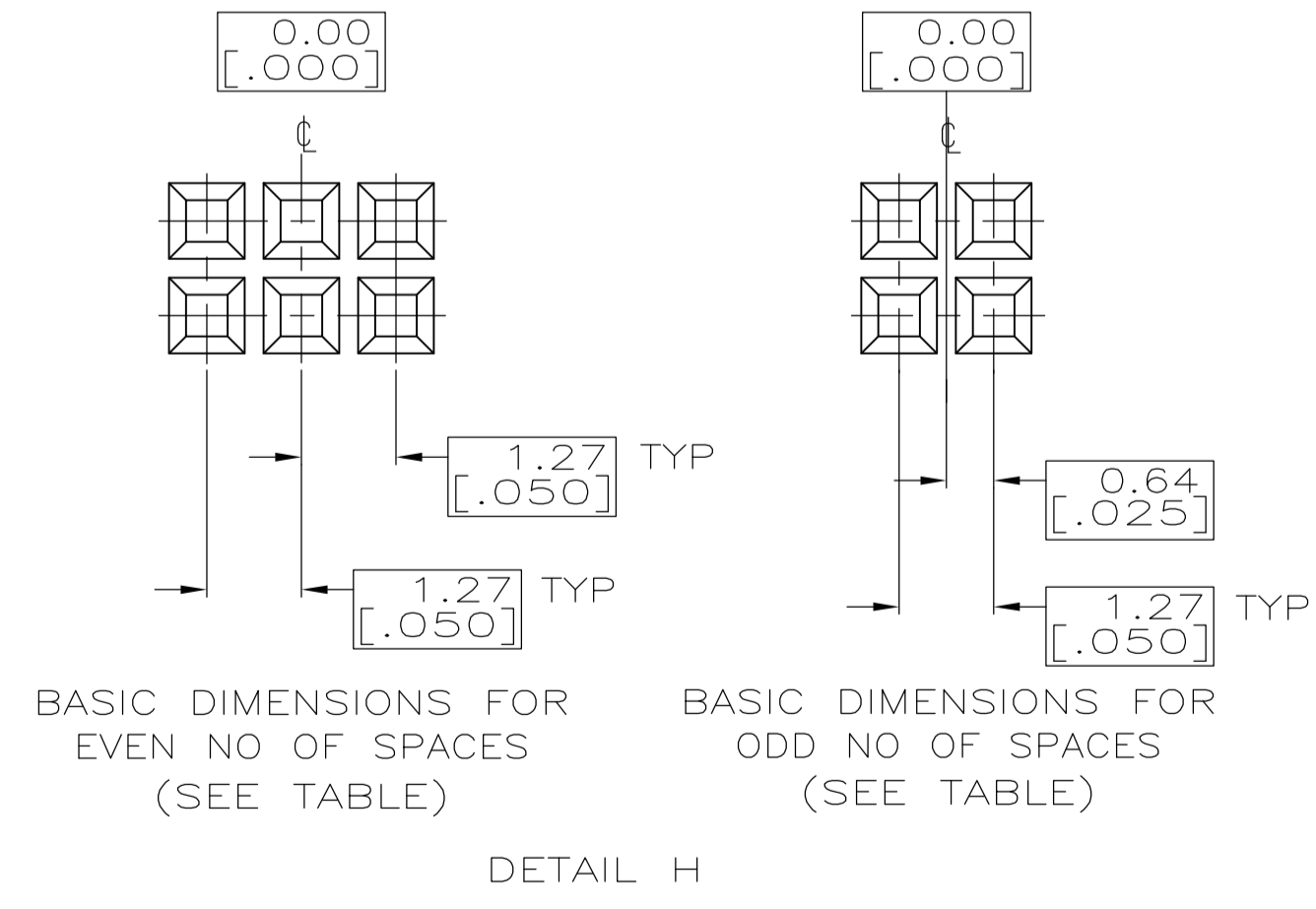
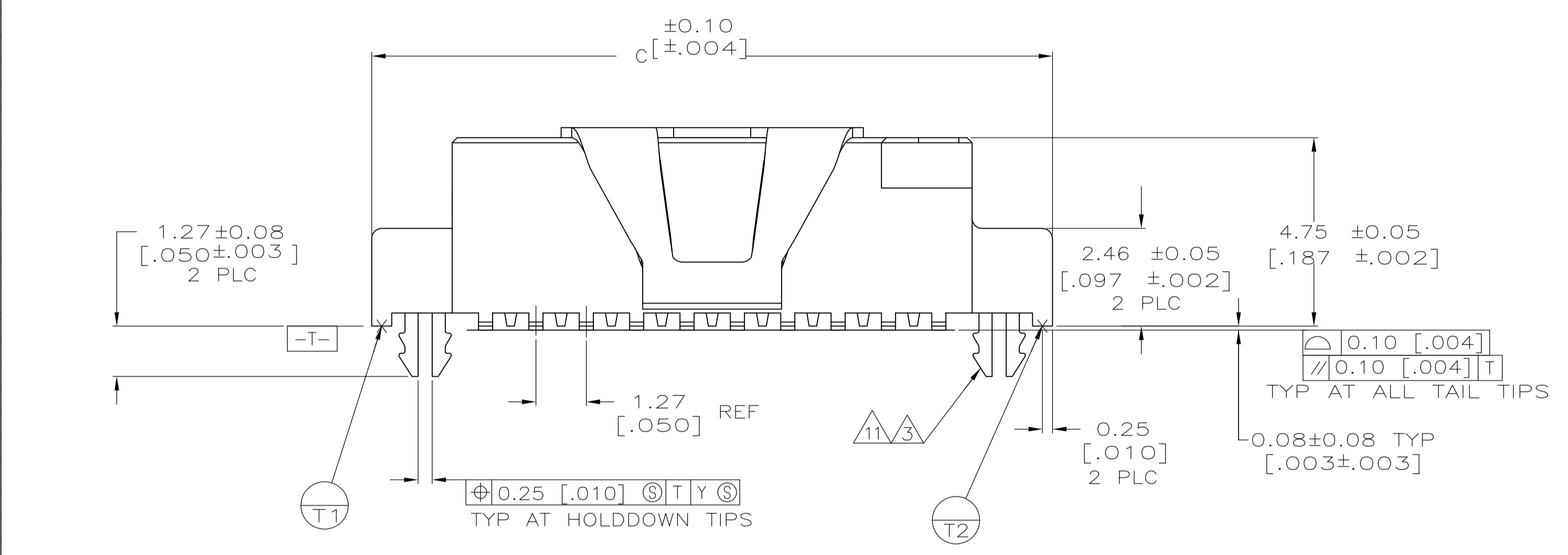
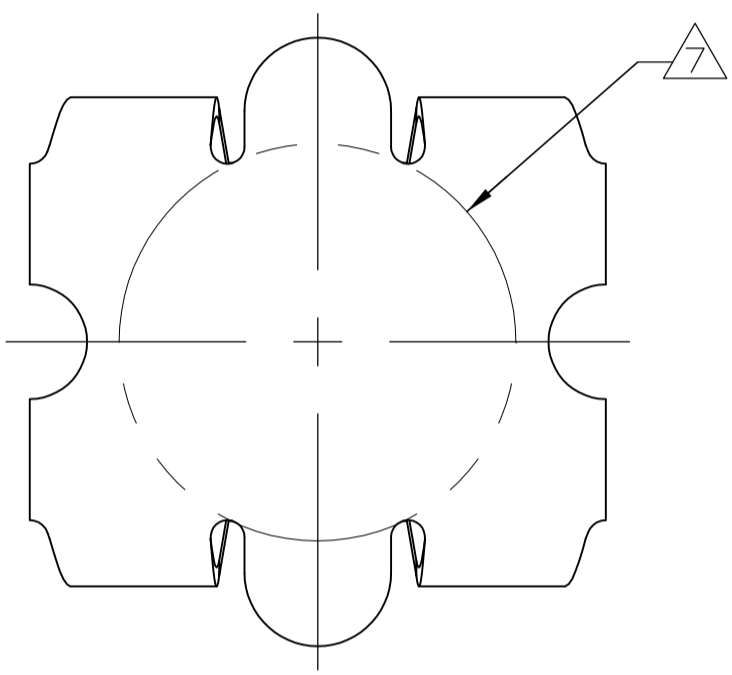
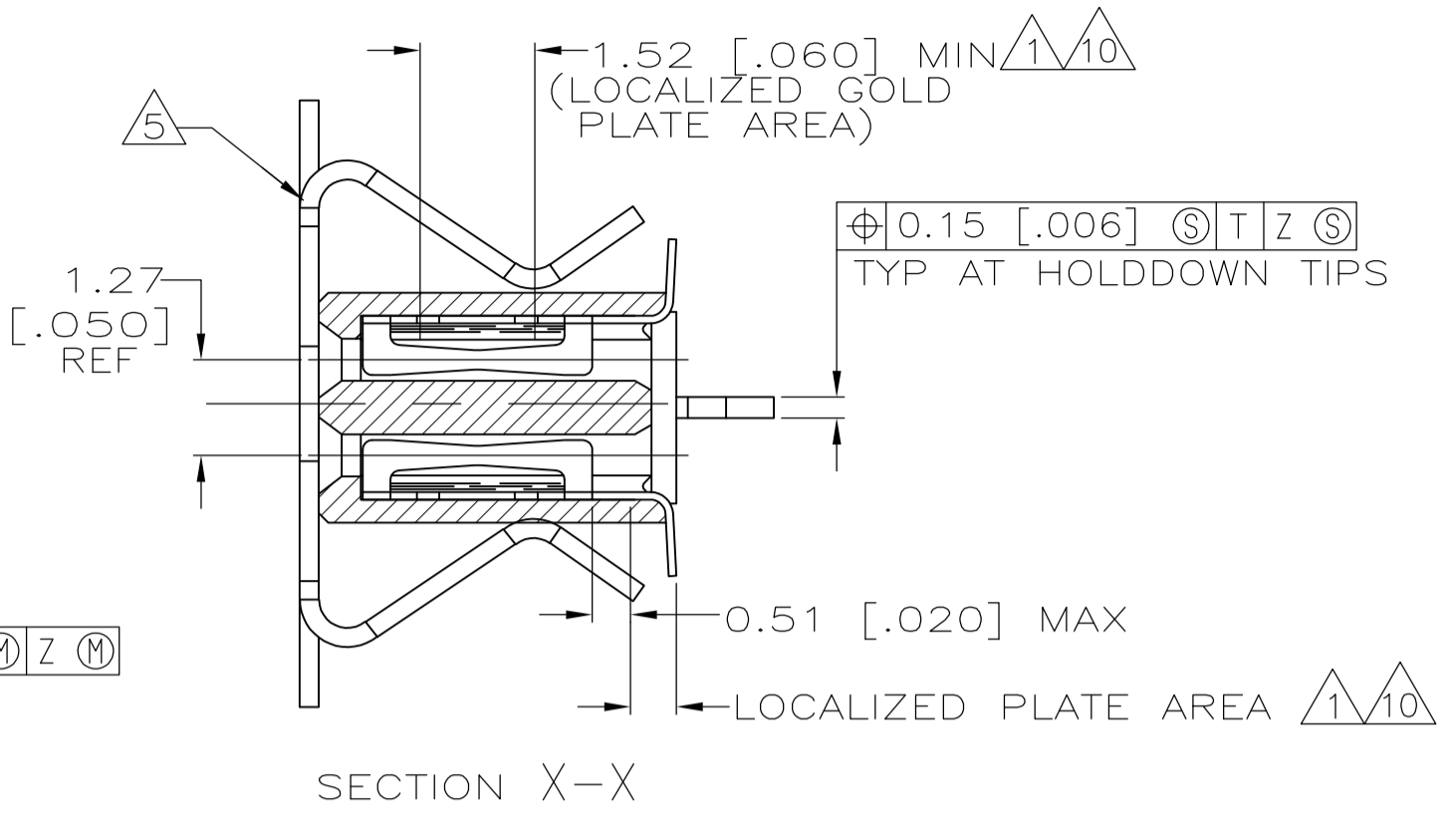
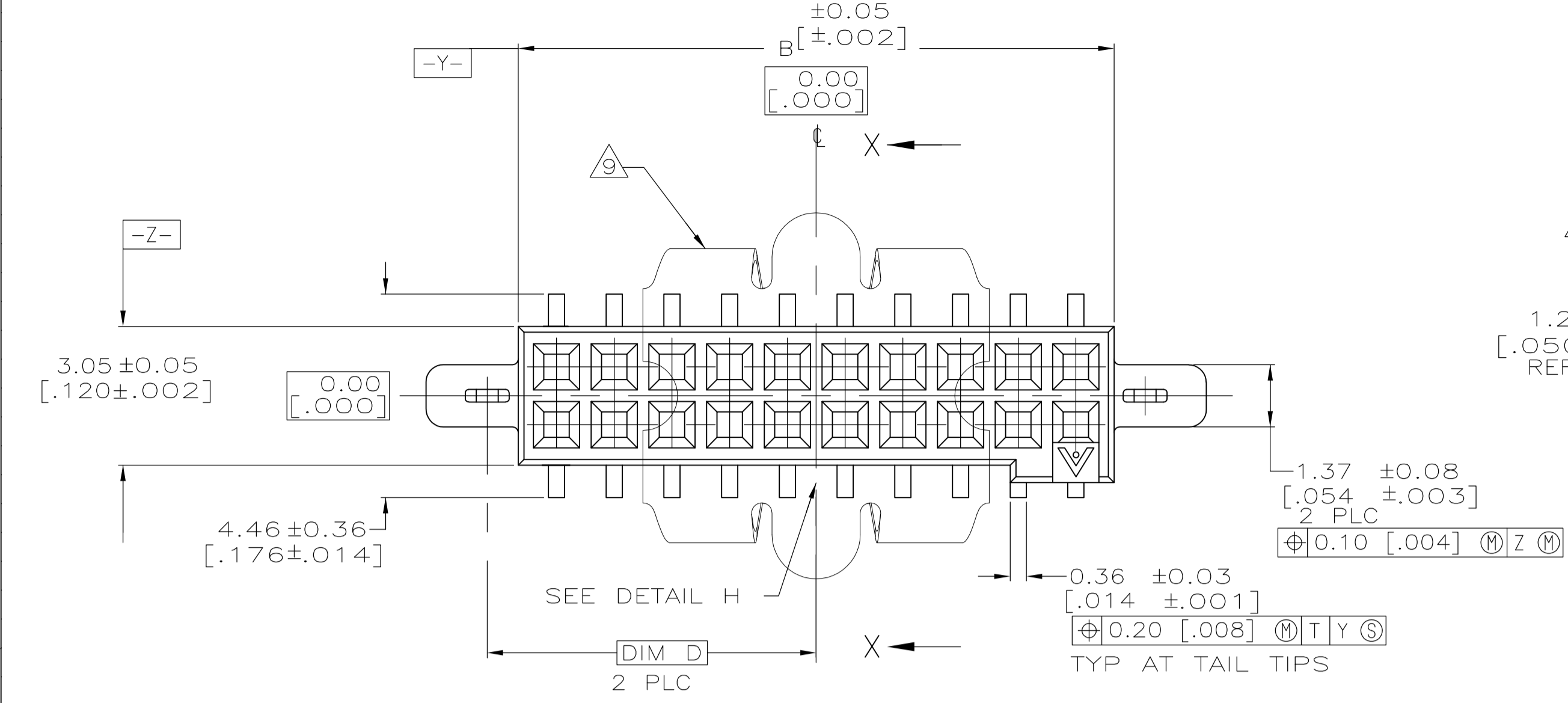


REVISONS		DATE	BY	APPV
D3	REVISED PER ECO-12-012141	02JUL12	KH	JO



- 1 0.00076 [.000030] GOLD IN LOCALIZED PLATE AREA 0.00381 [.000150] TIN-LEAD ON SOLDER TAILS ALL OVER 0.00127 [.000050] NICKEL
- 2 USE 1.55±0.02 [.0610±.0010] DRILLED HOLE (1.55mm DRILL) FINISH TO BE TIN/LEAD OVER 0.02 [.001] MIN COPPER
- 3 PLATING: 0.0038 [.000150] TIN-LEAD OVER 0.00127 [.000050] NICKEL
- 4 IF PLANNING TO USE MORE THAN ONE MATING PAIR OF CONNECTORS TO INTERCONNECT 2 BOARDS, PLEASE REFER TO PARA. 3.3 IN THE APPLICATION SPEC, #114-7010
- 5 VACUUM COVER DESIGNED FOR 4.0 [.160] DIA NOZZLE. VACUUM COVER TO BE REMOVED AFTER SOLDERING.
- 6 PACKAGED IN EIA 481 TAPE AND REEL. SEE TABLE FOR TAPE WIDTHS.
- 7 5.2 [.205] MIN TARGET AREA FOR VACUUM PICK-UP.
- 8 HOUSING: LCP, COLOR-BLACK. CONTACT: COPPER ALLOY PER ASTM SPECIFICATION B422. HOLDDOWN: COPPER ALLOY PER ASTM SPECIFICATION B194. VACUUM COVER: ALUMINUM ALLOY PER ASTM SPECIFICATION B209.
- 9 VACUUM COVER SHOWN IN PHANTOM LINE.
- 10 0.00076 [.000030] GOLD IN LOCALIZED PLATE AREA 0.00381 [.000150] TIN ON SOLDER TAILS ALL OVER 0.00127 [.000050] NICKEL
- 11 PLATING: 0.0038 [.000150] TIN OVER 0.00127 [.000050] NICKEL
- 12 USE 1.55±0.02 [.0610±.0010] DRILLED HOLE (1.55mm DRILL) FINISH TO BE TIN OVER 0.02 [.001] MIN COPPER
- 13 OBSOLETE PARTS: OBSOLETE CIS STREAMLINING PER D.RENAUD/D.SINISI

FINISH	TAPE WIDTH	E	D	C	B	A	NO OF POS	PART NUMBER
10, 11	88 mm	65.28 [2.570]	32.64 [1.285]	67.97 [2.676]	63.91 [2.516]	49	100	5-147384-9
10, 11	72 mm	52.58 [2.070]	26.29 [1.035]	55.27 [2.176]	51.21 [2.016]	39	80	5-147384-8
10, 11	72 mm	46.23 [1.820]	23.11 [.910]	48.92 [1.926]	44.86 [1.766]	34	70	5-147384-7
10, 11	72 mm	39.88 [1.570]	19.94 [.785]	42.57 [1.676]	38.51 [1.516]	29	60	5-147384-6
10, 11	56 mm	33.53 [1.320]	16.76 [.660]	36.22 [1.426]	32.16 [1.266]	24	50	5-147384-5
10, 11	56 mm	27.18 [1.070]	13.59 [.535]	29.87 [1.176]	25.81 [1.016]	19	40	5-147384-4
10, 11	44 mm	20.83 [.820]	10.41 [.410]	23.52 [.926]	19.46 [.766]	14	30	5-147384-3
10, 11	32 mm	14.48 [.570]	7.24 [.285]	17.17 [.676]	13.11 [.516]	9	20	5-147384-2
10, 11	32 mm	8.12 [.320]	4.06 [.160]	10.82 [.426]	6.75 [.266]	4	10	5-147384-1
13	SUPERSEDED BY 5-147384-9	88 mm	65.28 [2.570]	32.64 [1.285]	67.97 [2.676]	49	100	147384-9
13	SUPERSEDED BY 5-147384-8	72 mm	52.58 [2.070]	26.29 [1.035]	55.27 [2.176]	39	80	147384-8
13	SUPERSEDED BY 5-147384-7	72 mm	46.23 [1.820]	23.11 [.910]	48.92 [1.926]	34	70	147384-7
13	SUPERSEDED BY 5-147384-6	72 mm	39.88 [1.570]	19.94 [.785]	42.57 [1.676]	29	60	147384-6
13	SUPERSEDED BY 5-147384-5	56 mm	33.53 [1.320]	16.76 [.660]	36.22 [1.426]	24	50	147384-5
13	SUPERSEDED BY 5-147384-4	56 mm	27.18 [1.070]	13.59 [.535]	29.87 [1.176]	19	40	147384-4
13	SUPERSEDED BY 5-147384-3	44 mm	20.83 [.820]	10.41 [.410]	23.52 [.926]	14	30	147384-3
13	SUPERSEDED BY 5-147384-2	32 mm	14.48 [.570]	7.24 [.285]	17.17 [.676]	9	20	147384-2
13	SUPERSEDED BY 5-147384-1	32 mm	8.12 [.320]	4.06 [.160]	10.82 [.426]	4	10	147384-1

RECOMMENDED BOARD LAYOUT  
SCALE: 5:1

THIS DRAWING IS A CONTROLLED DOCUMENT. DIM B HAYMAKER 28JAN00  
DIM C J. MOSIER 28JAN00  
DIM D J. MOSIER 28JAN00  
DIM E J. MOSIER 28JAN00

TE Connectivity

ASSEMBLY, RECEPTACLE, VERTICAL, DOUBLE ROW, SURFACE MOUNT, AMPMODU 50/50 GRID CONNECTOR

108-1332

114-7010

00779 147384

CUSTOMER DRAWING SCALE 10:1 SHEET 1 OF 1 REV D3

## X-ON Electronics

Largest Supplier of Electrical and Electronic Components

*Click to view similar products for [Board to Board & Mezzanine Connectors](#) category:*

*Click to view products by [TE Connectivity](#) manufacturer:*

Other Similar products are found below :

[10135583-642402LF](#) [89885-310LF](#) [589158040000018](#) [6-1393048-0](#) [68683-613](#) [MDF7-12DP-2.54DSA](#) [MDF7-18P-2.54DSA\(01\)](#) [MDF7-20DP-2.54DSA](#) [MDF7-26D-2.54DSA\(55\)](#) [MDF7-3P-2.54DSA\(01\)](#) [MDF7B-3P-2.54DSA\(55\)](#) [MDF7C-11P-2.54DSA\(55\)](#) [MDF7C-18P-2.54DSA\(55\)](#) [MDF7C-5P-2.54DSA\(01\)](#) [MDF7P-5P-2.54DSA\(55\)](#) [75234-0516](#) [FCN-230C068-11](#) [FCN-268F012-G/BD](#) [FCN-268F036-G/BD](#) [FCN-268M012-G/0D](#) [FCN-268M024-G/1D](#) [FCN-360C008-C](#) [FCN-360C040-C](#) [FCN-723J004/1](#) [MIS-048-01-F-D-DP-K](#) [832-10-034-10-001000](#) [93696-325LF](#) [11828-1FA](#) [AXK630345P](#) [18097-0013](#) [ICA-328STT](#) [2007042-2](#) [304400-2](#) [FCN-214Q030-G/0](#) [FCN-215Q040-G/0](#) [FCN-230C068-ESA](#) [FCN-234P048-G/0](#) [FCN-235D050-G/C](#) [FCN-360A3](#) [FCN-360C040-B](#) [210-93-314-41-105000](#) [2-22603-0](#) [379-064-521-202](#) [MDF7-12P-2.54DSA\(01\)](#) [MDF7-16P-2.54DS\(56\)](#) [MDF7-40DP-2.54DSA\(55\)](#) [MDF7-8P-2.54DSA\(55\)](#) [MDF7B-16P-2.54DSA\(55\)](#) [AXG720047](#) [5031084030](#)