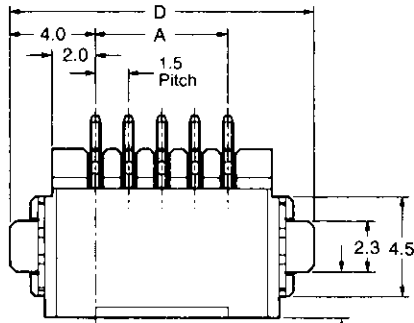


Wire to Board Connectors

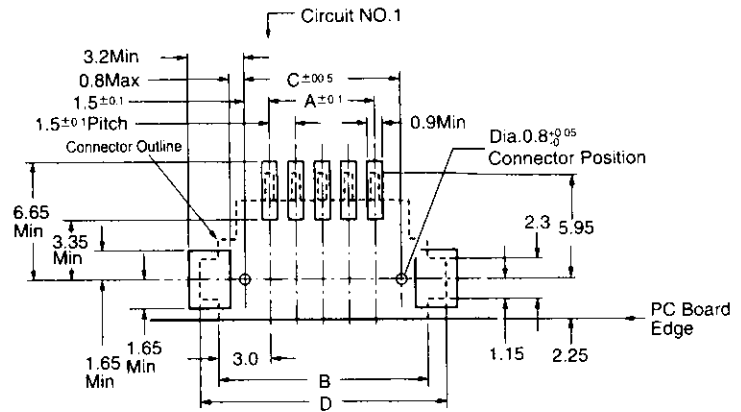
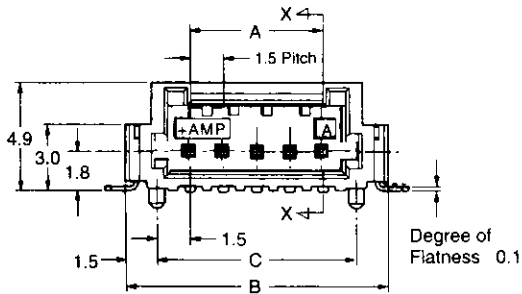
Mini CT (Common Termination) Connector System

Post Header Assemblies (Board-mount)

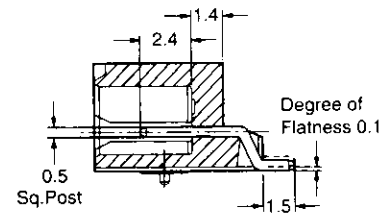
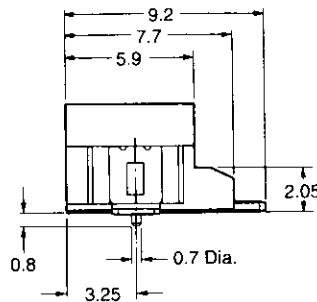
One-Row SMT Type /
Horizontal-mount Type
(With bosses)



Circuit No. 1

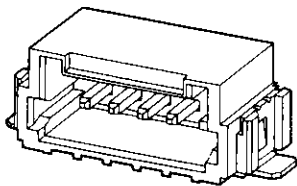


PC Board Layout (Component Side)
(Applicable board thickness=0.8mm Min.)



Section X-X

Material and Finish :
Housing — Glassfiber
reinforced heat-resistant
Nylon, beige and black
Post — Pre-tinned, brass wire



No. of Pos.	Dimensions				Part No. of Post Header Assemblies*	
	A	B	C	D	Beige (Natural color)	Black
2	1.5	7.5	4.5	9.5	292227-2	5-292227-2
3	3.0	9.0	6.0	11.0	292227-3	5-292227-3
4	4.5	10.5	7.5	12.5	292227-4	5-292227-4
5	6.0	12.0	9.0	14.0	292227-5	5-292227-5
6	7.5	13.5	10.5	15.5	292227-6	5-292227-6
7	9.0	15.0	12.0	17.0	292227-7	5-292227-7
8	10.5	16.5	13.5	18.5	292227-8	5-292227-8
9	12.0	18.0	15.0	20.0	292227-9	5-292227-9
10	13.5	19.5	16.5	21.5	1-292227-0	6-292227-0
11	15.0	21.0	18.0	23.0	1-292227-1	6-292227-1
12	16.5	22.5	19.5	24.5	1-292227-2	6-292227-2
13	18.0	24.0	21.0	26.0	1-292227-3	6-292227-3
14	19.5	25.5	22.5	27.5	1-292227-4	6-292227-4
15	21.0	27.0	24.0	29.0	1-292227-5	6-292227-5
16	22.5	28.5	25.5	30.5	1-292227-6	6-292227-6
17	24.0	30.0	27.0	32.0	1-292227-7	6-292227-7
18	25.5	31.5	28.5	33.5	1-292227-8	6-292227-8
19	27.0	33.0	30.0	35.0	1-292227-9	6-292227-9
20	28.5	34.5	31.5	36.5	2-292227-0	7-292227-0

*Emboss tape mounted, 700 pcs.

X-ON Electronics

Largest Supplier of Electrical and Electronic Components

Click to view similar products for [Headers & Wire Housings](#) category:

Click to view products by [TE Connectivity](#) manufacturer:

Other Similar products are found below :

[95000-104TRLF](#) [10135584-644402LF](#) [DF62W-EP2022PCA](#) [95000-106TRLF](#) [DF62W-2022SCA](#) [DF62W-EP2022PC](#) [2203348](#) [DF62W-2022SC](#) [1084018](#) [1029039](#) [1084017](#) [802-10-012-10-002000](#) [1112640](#) [1112639](#) [000-34000](#) [0009482033](#) [0009507031](#) [57102-S06-03LF](#) [57202-S52-04LF](#) [PCN6-15S-2.5E](#) [0039019024](#) [58102-G61-06LF](#) [582553-1](#) [0009485154](#) [0009508121](#) [0022285053](#) [0050291907](#) [018731A](#) [LY20-4P-DT1-P1E-BR](#) [02.125.8002.8](#) [60101931](#) [60598-1 \(Cut Strip\)](#) [M1625-3R/100](#) [61062-3](#) [61082-181009](#) [636-1427](#) [638009-1](#) [641938-9](#) [641991-4](#) [644168-1](#) [647662-1](#) [65039-019ELF](#) [65817-002LF](#) [65817-015LF](#) [65863-015LF](#) [66207-023LF](#) [67016-026LF](#) [67046-001LF](#) [67095-007LF](#) [67230-005LF](#)