

10 9 8 7 6 5 4 3 2 1

F

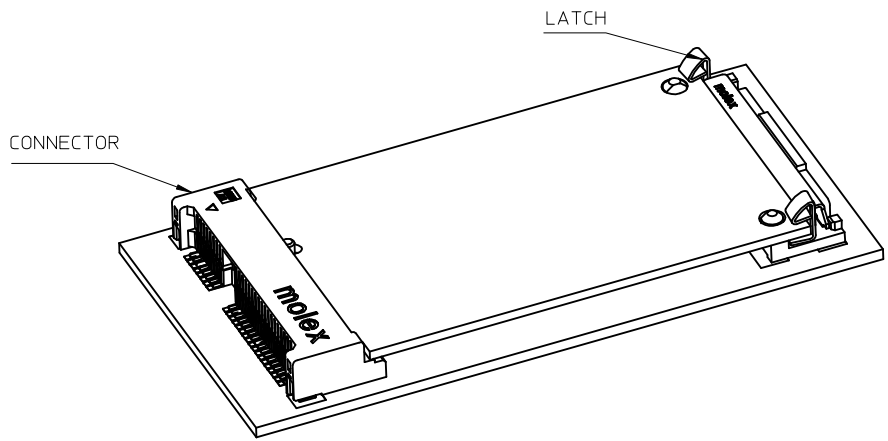
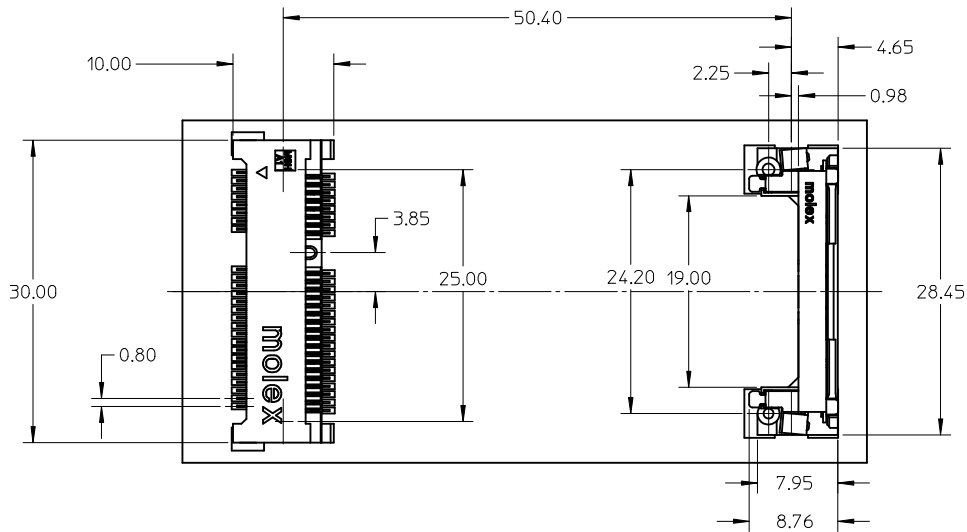
E

D

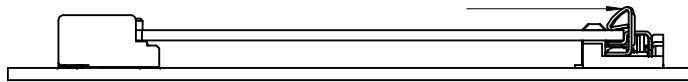
C

B

A

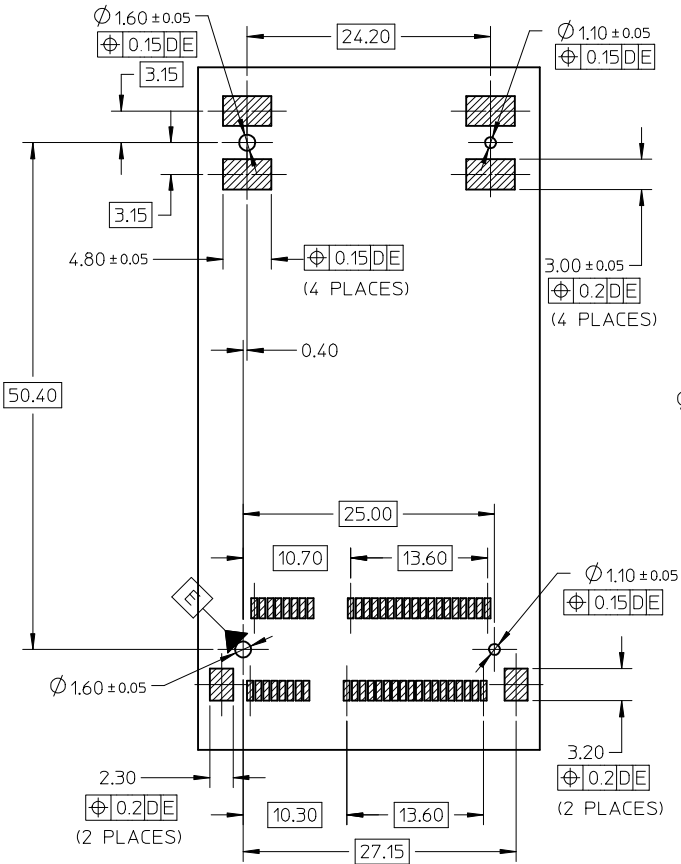
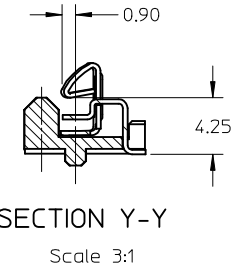
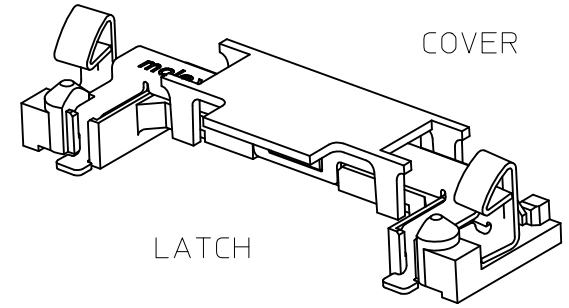
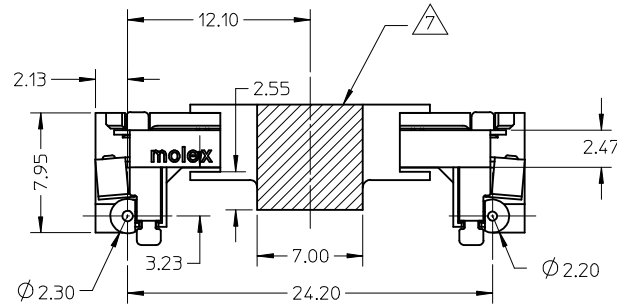
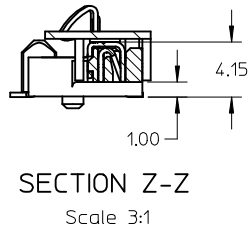


PUSH LATCH TO RELEASE MODULE



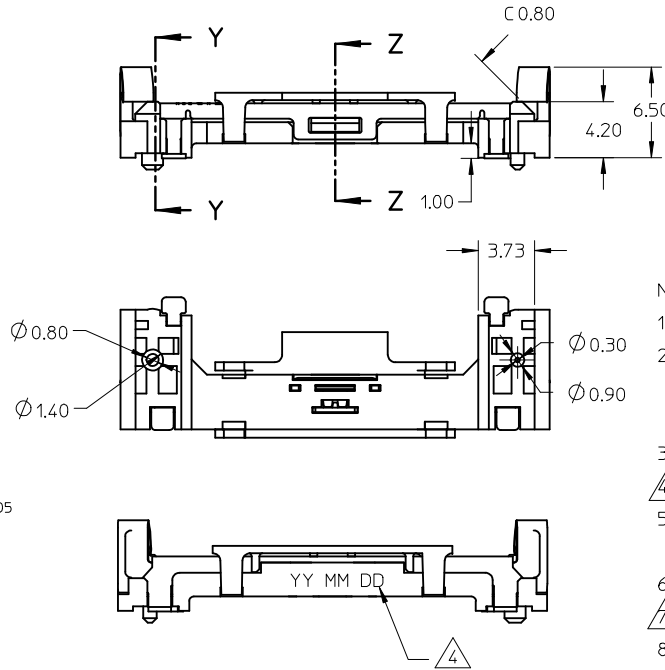
REVISED EC NO: SH2009-0388 DRW: ZHAO CHKD: APPR: HWANG	2008/12/03 2008/12/04 2008/12/09	DESCRIPTION REV	QUALITY SYMBOLS ▽=0 ◻=0	GENERAL TOLERANCES (UNLESS SPECIFIED) mm INCH	DIMENSION STYLE MM ONLY	SCALE 1:1	DESIGN UNITS METRIC	THIRD ANGLE PROJECTION
			4 PLACES ± --- ± --- 3 PLACES ± --- ± --- 2 PLACES ± 0.25 ± --- 1 PLACE ± 0.25 ± ---	DRAWN BY DAVID HU CHECKED BY HARVEY APPROVED BY GARY	DATE 2005/12/14 DATE 2005/12/14 DATE 2005/12/14	TITLE LATCH FOR MINIPCI-E 0.8MM PITCH 52 CIRCUIT LEAD-FREE		
			ANGULAR ± 3 °	MATERIAL NO. 48099-5701	DOCUMENT NO. SD-48099-006	MOLEX INCORPORATED		
			DRAFT WHERE APPLICABLE MUST REMAIN WITHIN DIMENSIONS	SIZE A3	THIS DRAWING CONTAINS INFORMATION THAT IS PROPRIETARY TO MOLEX INCORPORATED AND SHOULD NOT BE USED WITHOUT WRITTEN PERMISSION	SHEET NO. 1 OF 3		

9 8 7 6 5 4 3 2 1



DATUM D IS THE TOP SURFACE OF PCB

RECOMMENDED PCB LAYOUT

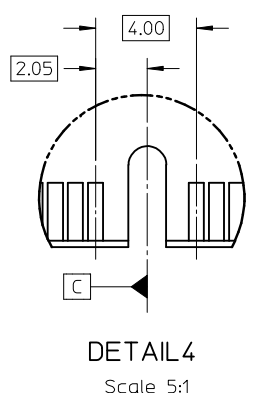
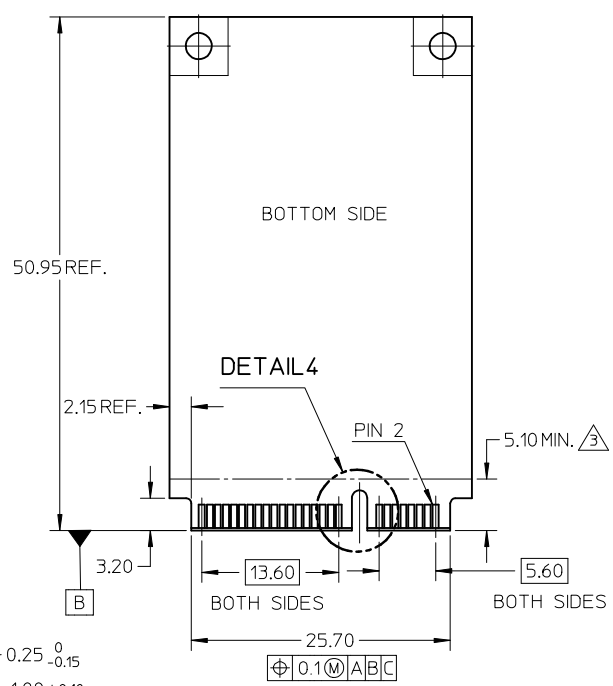
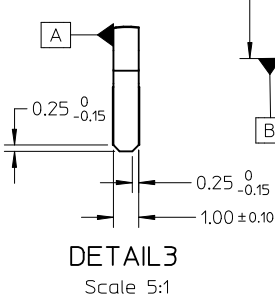
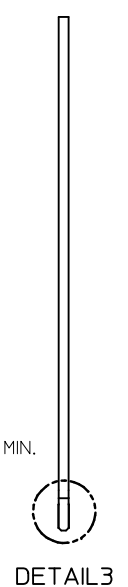
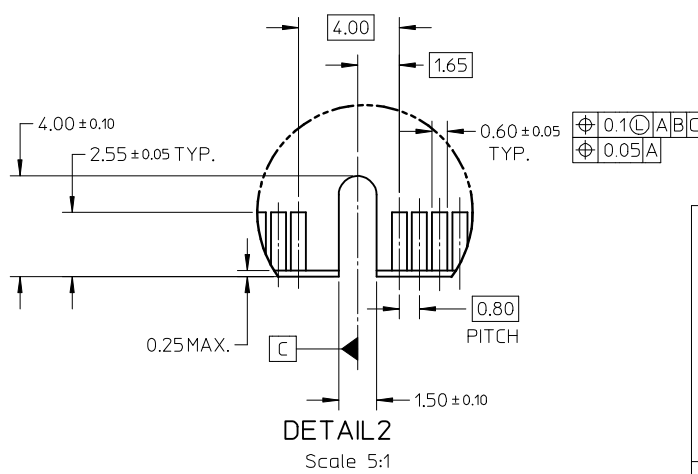
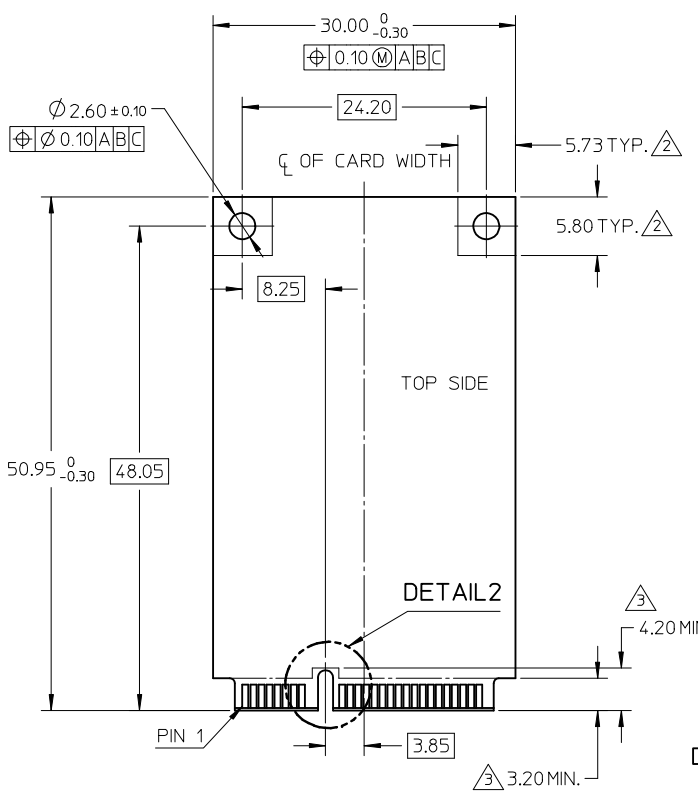


NOTES:

1. THIS LATCH USES WITH MINI PCI EXPRESS CONN.
2. HOUSING:PA46 GLASS FILLED,COLOR:BLACK UL94V-0
METAL SHELL:STAINLESS STEEL,THICKNESS:0.3MM
BEAM:STAINLESS STEEL,THICKNESS:0.3MM
3. FINISH:GOLD FLASH PLATED IN SOLDER AREA.
4. DATE CODE:YY:YEAR MM:MONTH DD:DATE
5. THE MOUDLE CARD REFERS TO MINI PCI EXPRESS CARD
ELECTROMECHANICAL SPECIFICATION.
6. MATCHED CONNECTOR:67910 SERIES.
7. FOR PICK AND PLACE AREA.
8. PART 48099-5701 COMPLIANT TO ROHS DIRECTIVE 2002/95/EC
AND ELV DIRECTIVE 2000/53/EC.

REVISED EC NO: SH2009-0388 DR: WINEZHAO CHKD: APPR: HWANG	QUALITY SYMBOLS ▽=0 C=0	GENERAL TOLERANCES (UNLESS SPECIFIED)		DIMENSION STYLE MM ONLY		SCALE 1:1	DESIGN UNITS METRIC	THIRD ANGLE PROJECTION	
		mm	INCH	DRAWN BY	DATE	TITLE			
		4 PLACES ± ---	± ---	DAVID HU	2005/12/14	LATCH FOR MINI PCI-E 0.8MM PITCH 52 CIRCUIT LEAD-FREE			
		3 PLACES ± ---	± ---	CHECKED BY	DATE				
2 PLACES ± 0.25	± ---	HARVEY	2005/12/14	MOLEX INCORPORATED					
1 PLACE ± 0.25	± ---	APPROVED BY	DATE	MATERIAL NO.		DOCUMENT NO.		SHEET NO.	
ANGULAR ± 3 °		GARY	2005/12/14	48099-5701		SD-48099-006		2 OF 3	
DRAFT WHERE APPLICABLE MUST REMAIN WITHIN DIMENSIONS				SIZE	THIS DRAWING CONTAINS INFORMATION THAT IS PROPRIETARY TO MOLEX INCORPORATED AND SHOULD NOT BE USED WITHOUT WRITTEN PERMISSION				
				A3					

NOTES,
 1. PIN NUMBERING REFERENCE:
 ODD PINS-TOP SIDE
 EVEN PINS-BOTTOM SIDE
 2. COMPONENT AND ROUTING(ALL LAYERS)
 KEEP OUT AREA FOR HOLD DOWN SOLUTIONS
 3. COMPONENT KEEP OUT AREA FOR CONNECTOR



REVISED EC NO: SH2009-0388 DR: WINEZHAO CHKD: APPR: HWANG	2008/12/03 2008/12/04 2008/12/09	DESCRIPTION LATCH FOR MINI-PCI-E	QUALITY SYMBOLS	GENERAL TOLERANCES (UNLESS SPECIFIED)	DIMENSION STYLE	SCALE	DESIGN UNITS	THIRD ANGLE PROJECTION
			▼=0 ◻=0	mm INCH	MM ONLY	1:1	METRIC	☉ ◻ THIRD ANGLE PROJECTION
			4 PLACES ± --- ± --- 3 PLACES ± --- ± --- 2 PLACES ± 0.25 ± --- 1 PLACE ± 0.25 ± ---	DRAWN BY DATE DAVID HU 2005/12/14	TITLE	LATCH FOR MINI-PCI-E 0.8MM PITCH 52 CIRCUIT LEAD-FREE		
			ANGULAR ± 3 °	CHECKED BY DATE HARVEY 2005/12/14	APPROVED BY DATE GARY 2005/12/14			
DRAFT WHERE APPLICABLE MUST REMAIN WITHIN DIMENSIONS	MATERIAL NO. 48099-5701	DOCUMENT NO. SD-48099-006	SHEET NO. 3 OF 3					
SIZE A3	THIS DRAWING CONTAINS INFORMATION THAT IS PROPRIETARY TO MOLEX INCORPORATED AND SHOULD NOT BE USED WITHOUT WRITTEN PERMISSION							

X-ON Electronics

Largest Supplier of Electrical and Electronic Components

Click to view similar products for [PCI Express/PCI Connectors](#) category:

Click to view products by [Molex](#) manufacturer:

Other Similar products are found below :

[UEX220-6U](#) [0877159203](#) [10039755-10110TLF](#) [10025026-10003PLF](#) [10125756-980000LF](#) [1-1871239-2](#) [2170560-2](#) [10082378-11003TLF](#)
[10125756-980000LF](#) [1775861-2](#) [10039755-10111TLF](#) [EB220-3U](#) [WD2M144WB2R300](#) [10061913-120PLF](#) [10108777-10002WLF](#)
[GPCP146400111HR](#) [10144667-112Y0LF](#) [10144667-113Y0LF](#) [205058-1001](#) [GPCP446200120HR](#) [GPCP245400111HR](#) [10082378-10000TLF](#)
[10082378-10001TLF](#) [87715-9256](#) [MDT580M03001](#) [0877159107](#) [205058-1003](#) [MDT580M01001](#) [10018783-11000MLF](#) [10061913-103BLF](#)
[10145445-10003MLF](#) [PSASF2130311TR](#) [10147430-113T0LF](#) [10146070-113Y0LF](#) [MDT670M01005](#) [10108777-10200MLF](#)
[MDT420M01002](#) [PSASF3130211TR](#) [PSASF4130051TR](#) [PSASM2130412TR](#) [PSASM2130391TR](#) [10139595-111T0LF](#) [10139595-110T0LF](#)
[PSASF3130131TR](#) [0745400501](#) [7-1734774-7](#) [10150900-052R2LF](#) [3-1761465-1](#) [74540-0501](#) [10018784-10011TLF](#)