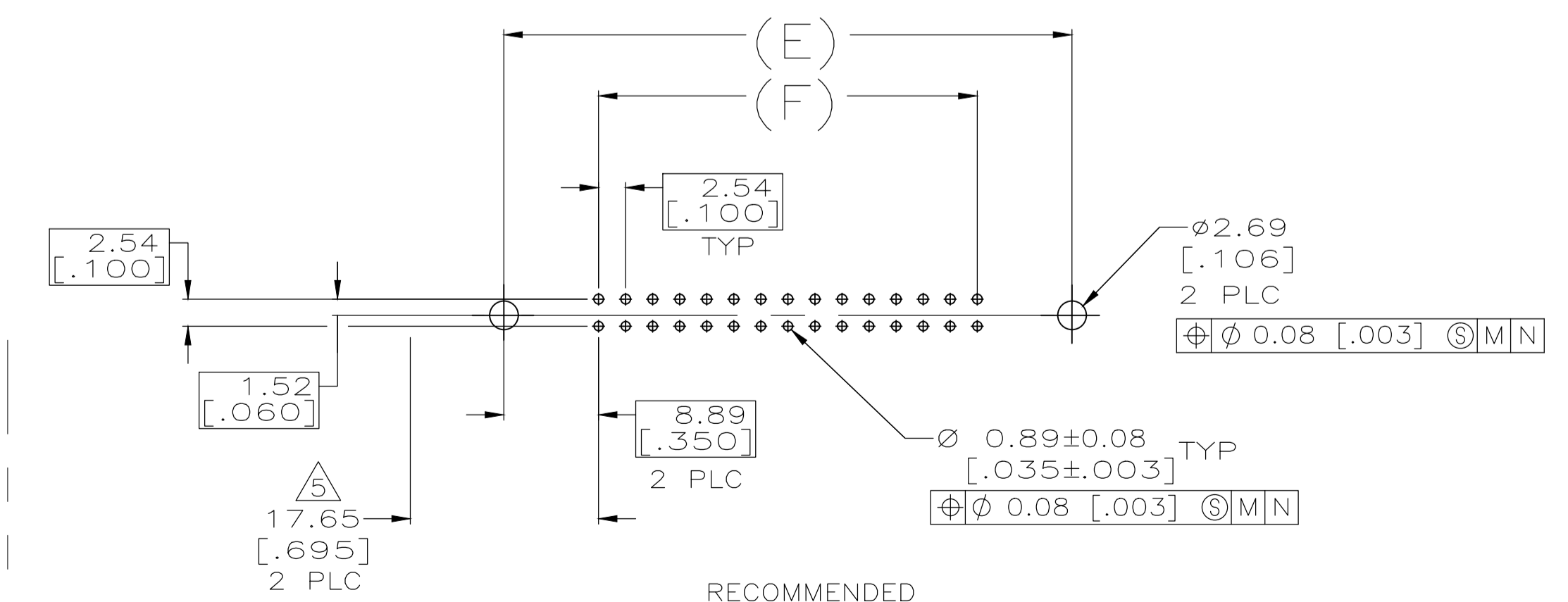
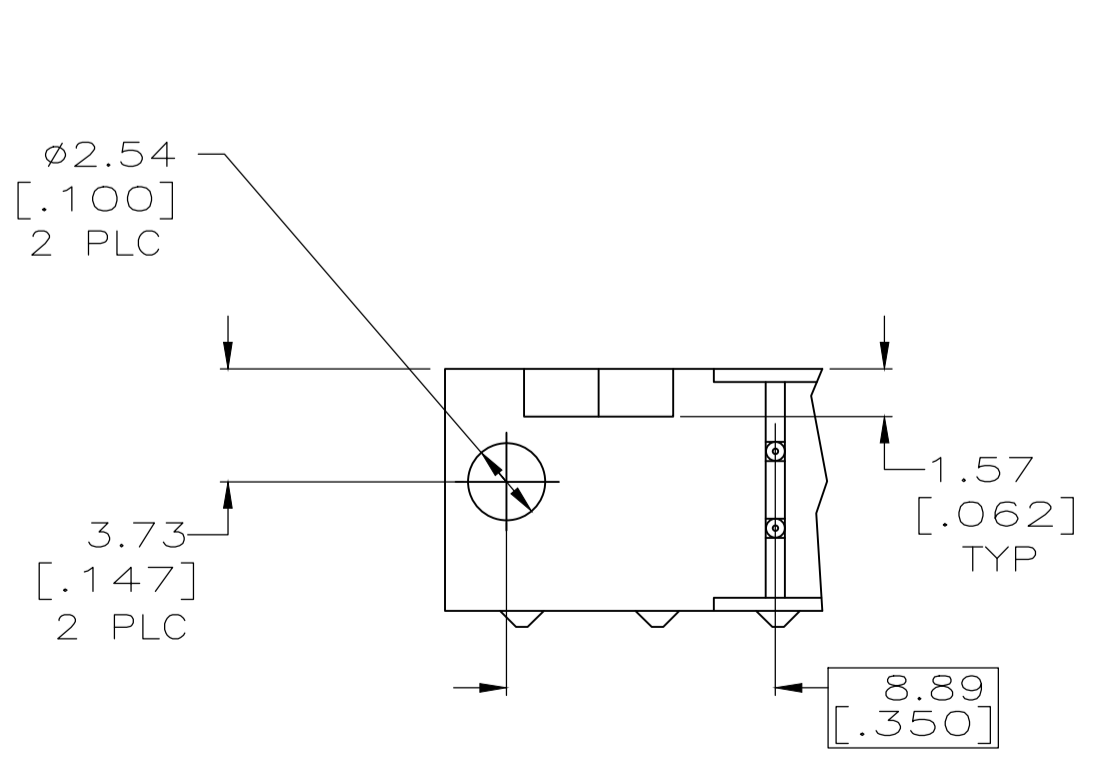
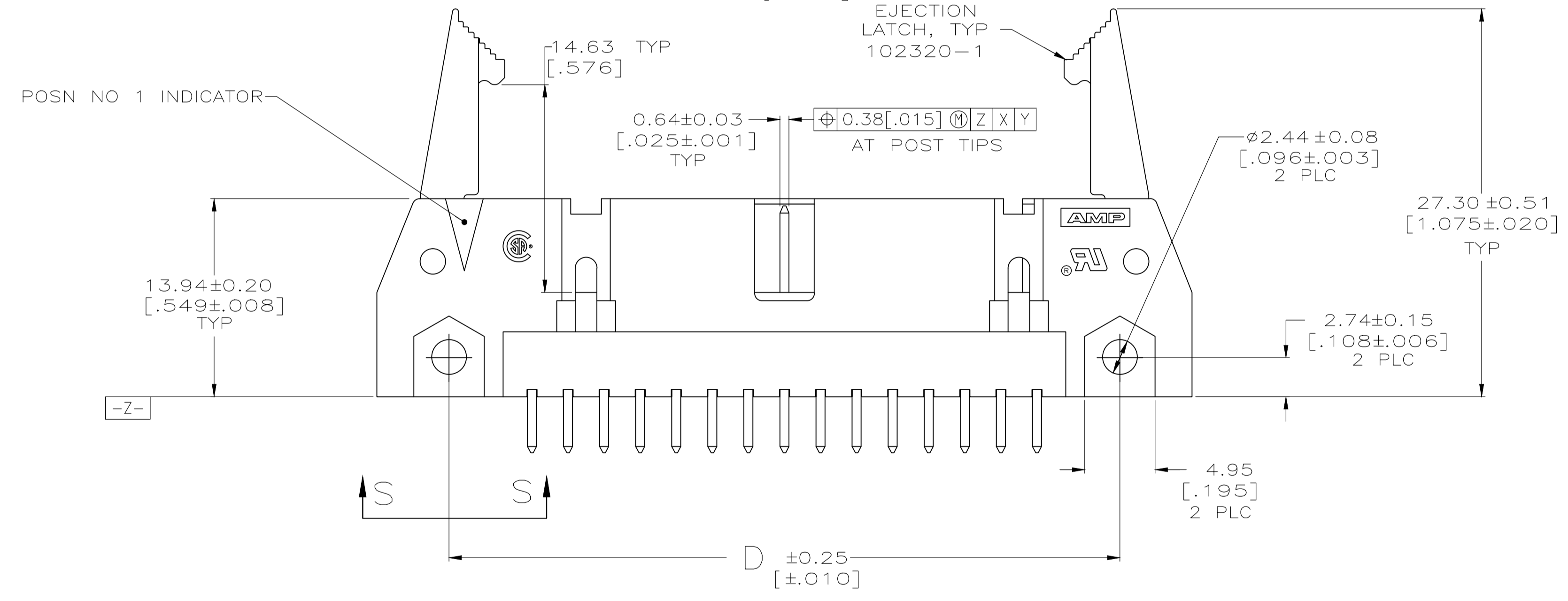
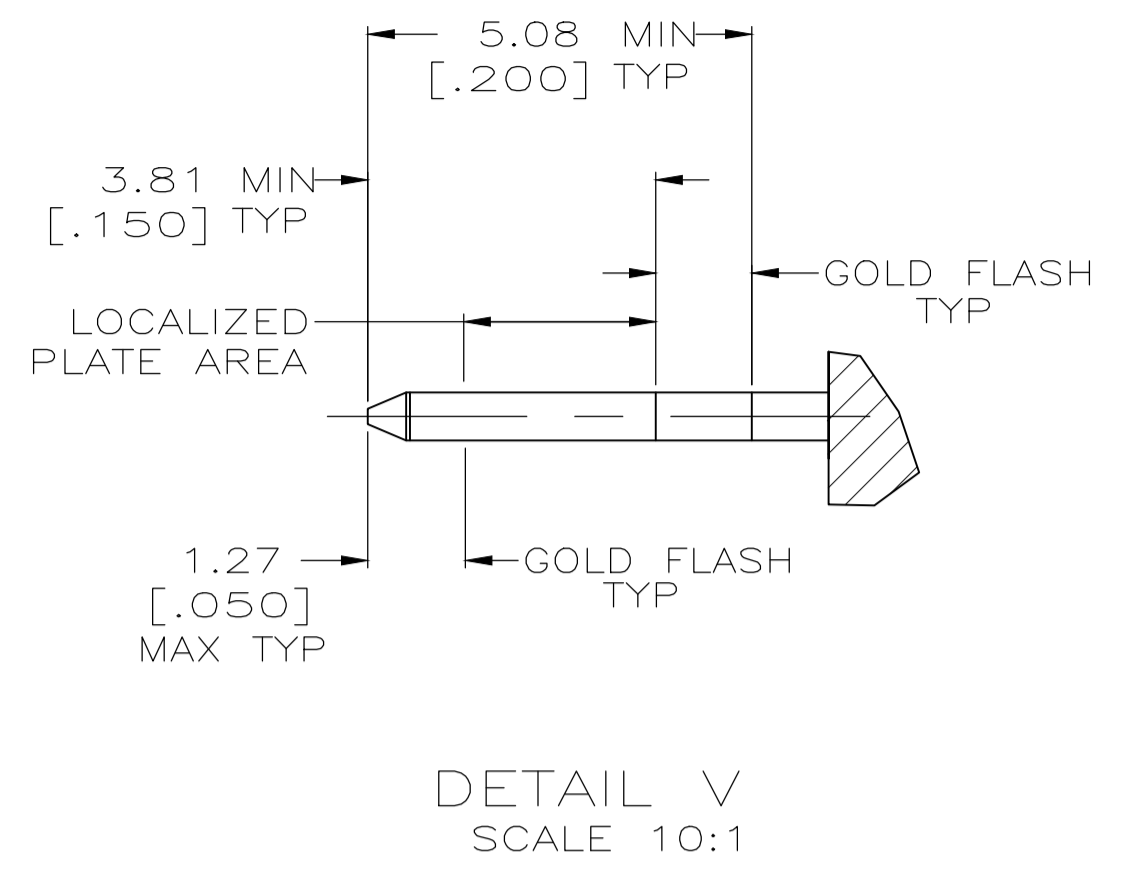
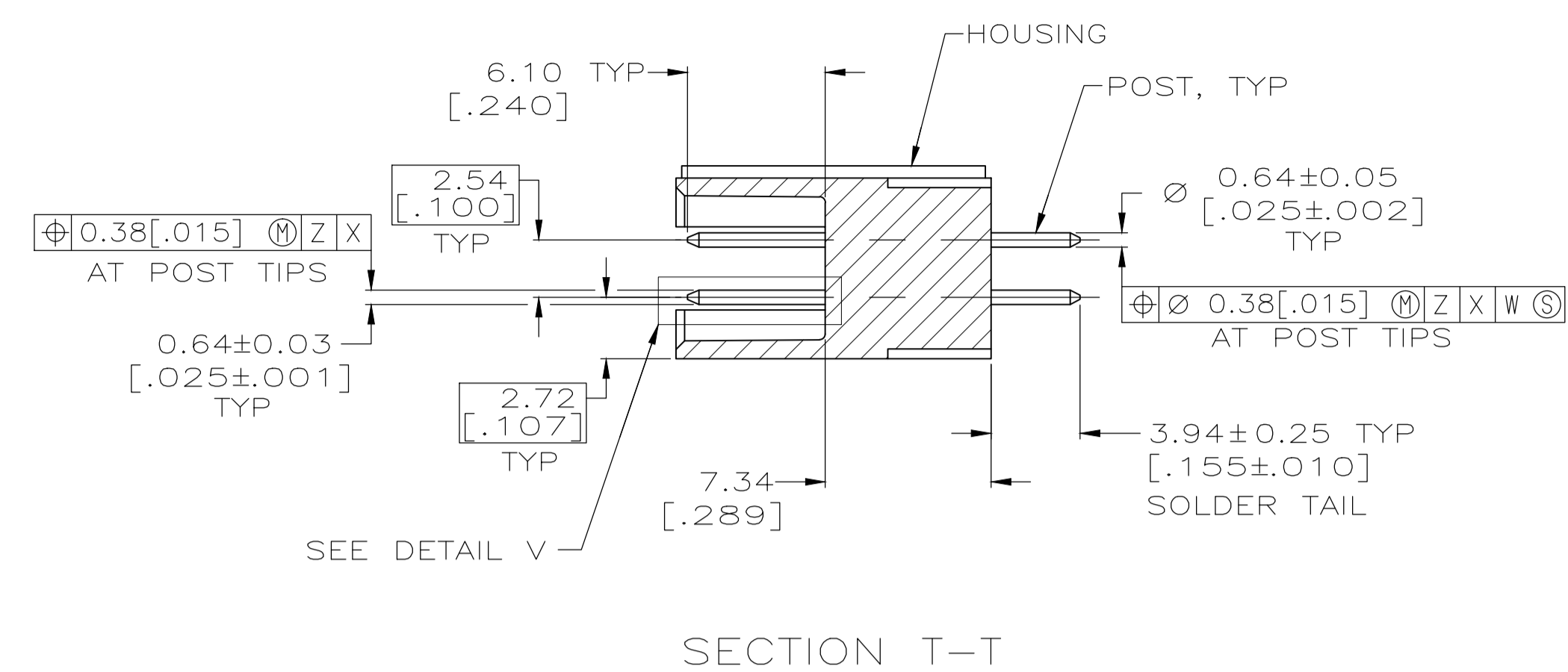
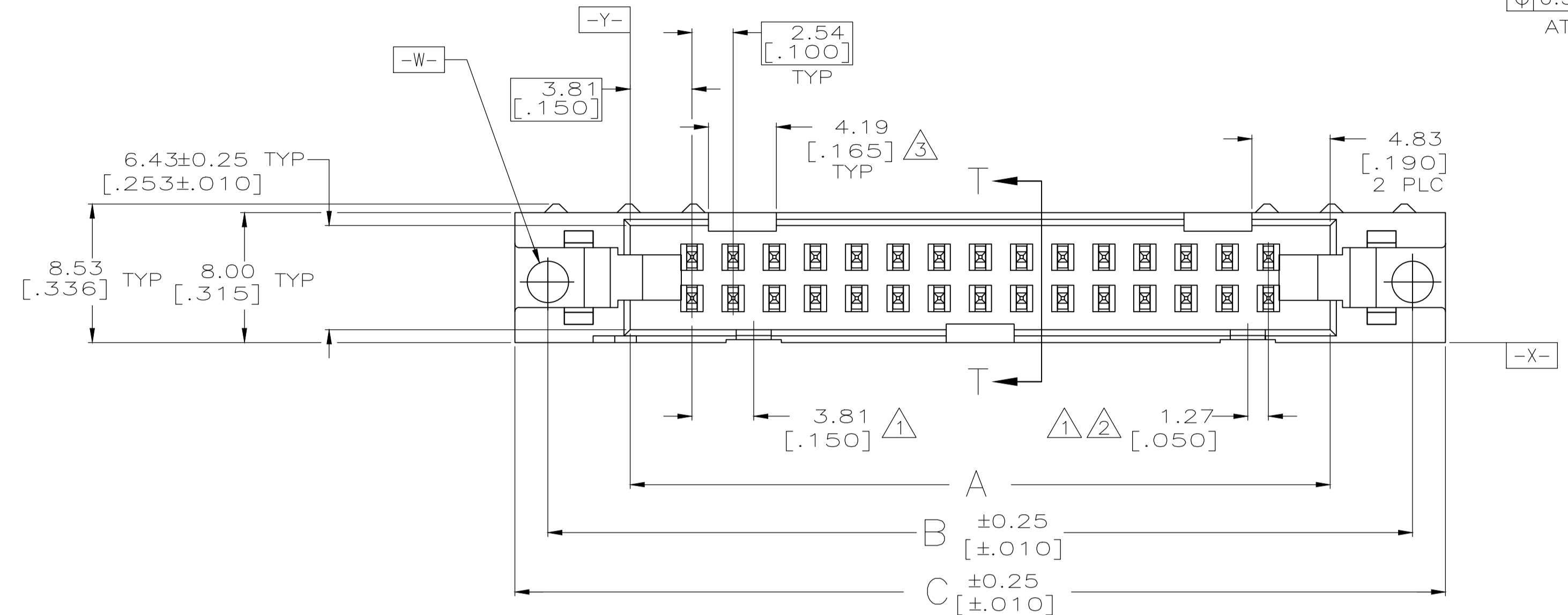


WITH LONG EJECT LATCH: 102320-1/-3

REVISIONS					
P	LTR	DESCRIPTION	DATE	DWN	APVD
E2	REVISED PER	ECR-17-004961	06APR2017	IT	WH

EJECTION LATCHES OMITTED IN THIS VIEW FOR CLARITY



	BLUE	53.34	71.12	65.02	75.18	71.12	60.96	44	3-5102321-3
	BLUE	78.74	96.52	90.42	100.58	96.52	86.36	64	3-5102321-2
	BLUE	73.66	91.44	85.34	95.50	91.44	81.28	60	3-5102321-1
	BLUE	60.96	78.74	72.64	82.80	78.74	68.58	50	3-5102321-0
	BLUE	48.26	66.04	59.94	70.10	66.04	55.88	40	2-5102321-9
	BLUE	40.64	58.42	52.32	62.48	58.42	48.26	34	2-5102321-8
	BLUE	35.56	53.34	47.24	57.40	53.34	43.18	30	2-5102321-7
	BLUE	30.48	48.26	42.16	52.32	48.26	38.10	26	2-5102321-6
	BLUE	22.86	40.64	34.54	44.70	40.64	30.48	20	2-5102321-4
	BLUE	17.78	35.56	29.46	39.62	35.56	25.40	16	2-5102321-3
	BLUE	15.24	33.02	26.92	37.08	33.02	22.86	14	2-5102321-2
	BLUE	10.16	27.94	21.84	32.00	27.94	17.78	10	2-5102321-1
	BLACK	78.74	96.52	90.42	100.58	96.52	86.36	64	1-5102321-2
	BLACK	73.66	91.44	85.34	95.50	91.44	81.28	60	1-5102321-1
	BLACK	60.96	78.74	72.64	82.80	78.74	68.58	50	1-5102321-0
	BLACK	48.26	66.04	59.94	70.10	66.04	55.88	40	5102321-9
	BLACK	40.64	58.42	52.32	62.48	58.42	48.26	34	5102321-8
	BLACK	35.56	53.34	47.24	57.40	53.34	43.18	30	5102321-7
	BLACK	30.48	48.26	42.16	52.32	48.26	38.10	26	5102321-6
	BLACK	27.94	45.72	39.62	49.78	45.72	35.56	24	5102321-5
	BLACK	22.86	40.64	34.54	44.70	40.64	30.48	20	5102321-4
	BLACK	17.78	35.56	29.46	39.62	35.56	25.40	16	5102321-3
	BLACK	15.24	33.02	26.92	37.08	33.02	22.86	14	5102321-2
	BLACK	10.16	27.94	21.84	32.00	27.94	17.78	10	5102321-1
	COLOR	F	E	D	C	B	A	NO OF POSN	PART NUMBER

THIS DRAWING IS A CONTROLLED DOCUMENT.

DIN G. ATTADIA - 01-07-05  
 CJK S. BOLASH - 01-07-05  
 APVD M. WALMSLEY - 01-07-05

TE Connectivity

PRODUCT SPEC: 108-40018  
 APPLICATION SPEC: -

SIZE: A1  
 CAGE CODE: 00779  
 DRAWING NO: 5102321

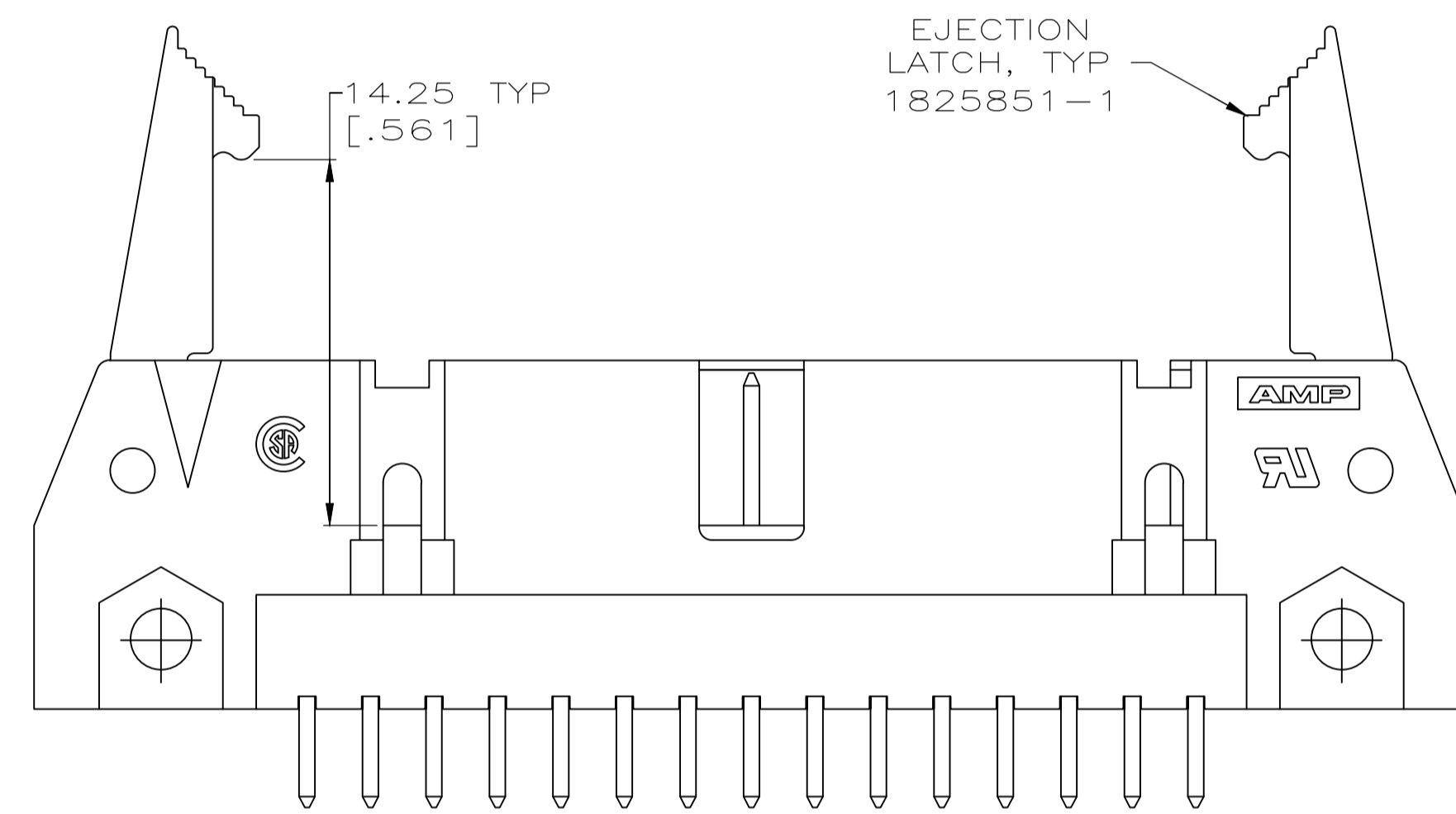
RESTRICTED TO: -

WEIGHT: 0.000000  
 CUSTOMER DRAWING: -

SCALE: 4:1  
 SHEET: 1 OF 2  
 REV: E2

REVISIONS					
P	LTR	DESCRIPTION	DATE	DN	APVD
-	-	SEE SHEET 1	-	-	-

WITH SPECIAL LONG EJECT LATCH: 1825851-1  $\Delta$



EXCEPTING LATCH LOCK HEIGHT  
ALL OTHER DIMENSIONS ARE SAME AS PAGE 1

- $\Delta$  1 COORDINATE DIMENSION APPLIES FROM BASIC LOCATION.
- $\Delta$  2 10 AND 14 POSITION SIZES CONTAIN ONLY ONE SLOT FOR SNAP-IN POLARIZER (MILITARY POLARIZATION) LOCATED AS SHOWN.
- $\Delta$  3 10 POSITION SIZE CONTAINS ONLY ONE SLOT FOR DUAL POLARIZATION, LOCATED AS SHOWN.
- 4. RECOMMENDED PRINTED CIRCUIT BOARD THICKNESS IS 3.18 [.125].
- $\Delta$  5 DISTANCE REQUIRED BY EJECTION LATCHES IN THE OPEN POSITION.
- $\Delta$  6 HOUSING & LATCHES: GLASS FILLED NYLON OR POLYESTER, UL94V-0 RATED, COLOR: SEE TABLE. POSTS: PH BRZ OR BRASS
- $\Delta$  7 POSTS: GOLD FLASH OVER PALLADIUM-NICKEL PLATE, 0.76 $\mu$ m [.000030] MIN TOTAL ON THE LOCALIZED PLATE AREA, 2.54 $\mu$ m [.000100] MIN TIN PLATE ON THE SOLDER-TAIL, 1.27 $\mu$ m [.000050] MIN NICKEL UNDERPLATE ON THE ENTIRE POST.  
-OR-  
0.76 $\mu$ m [.000030] MIN GOLD PLATE ON THE LOCALIZED PLATE AREA, 2.54 $\mu$ m [.000100] MIN TIN PLATE ON THE SOLDER-TAIL, 1.27 $\mu$ m [.000050] MIN NICKEL UNDERPLATE ON THE ENTIRE POST.
- $\Delta$  8 DATUMS -M- & -N- TO BE ESTABLISHED BY CUSTOMER.
- $\Delta$  9 LONG EJECT LATCHES (PART NO. 102320-1) WILL MATE WITH AMP-LATCH RECEPTACLES WITH STRAIN RELIEF & FEMALE SOCKET CONNECTORS WITH STRAIN RELIEF
- $\Delta$  10 SPECIAL LONG EJECT LATCHES (PART NO. 1825851-1) WILL MATE WITH AMPMODU MOD IV HOUSINGS WITH CENTER POLARIZATION KEY SIMILAR TO 102387 SERIES PART NUMBERS.

BLACK	60.96 [2.400]	78.74 [3.100]	72.64 [2.860]	82.80 [3.260]	78.74 [3.100]	68.58 [2.700]	50	8-5102321-0
BLACK	40.64 [1.600]	58.42 [2.300]	52.32 [2.060]	62.48 [2.460]	58.42 [2.300]	48.26 [1.900]	34	9-5102321-8
BLACK	30.48 [1.200]	48.26 [1.900]	42.16 [1.660]	52.32 [2.060]	48.26 [1.900]	38.10 [1.500]	26	9-5102321-6
BLACK	22.86 [.900]	40.64 [1.600]	34.54 [1.360]	44.70 [1.760]	40.64 [1.600]	30.48 [1.200]	20	9-5102321-4
BLACK	17.78 [.700]	35.56 [1.400]	29.46 [1.160]	39.62 [1.560]	35.56 [1.400]	25.40 [1.000]	16	9-5102321-3
BLACK	15.24 [.600]	33.02 [1.300]	26.92 [1.060]	37.08 [1.460]	33.02 [1.300]	22.86 [.900]	14	9-5102321-2
BLACK	10.16 [.400]	27.94 [1.100]	21.84 [.860]	32.00 [1.260]	27.94 [1.100]	17.78 [.700]	10	9-5102321-1
COLOR	F	E	D	C	B	A	NO OF POSN	PART NUMBER

THIS DRAWING IS A CONTROLLED DOCUMENT.		DIN G. ATTADIA - 01-07-05 DOCKS		STE TE Connectivity	
DIMENSIONS: INCHES		TOLERANCES UNLESS OTHERWISE SPECIFIED:		NAME	
0 PLC ± -		1 PLC ± -		M. WALMSLEY	
2 PLC ± 0.13[.005]		3 PLC ± -		PRODUCT SPEC	
4 PLC ± -		ANGLES ± -		108-40018	
MATERIAL		FINISH		APPLICATION SPEC	
				SIZE	
				CASE CODE	
				DRAWING NO	
				RESTRICTED TO	
				WEIGHT	
				0.000000	
				A1 00779	
				5102321	
				CUSTOMER DRAWING	
				SCALE	
				4:1	
				SHEET	
				2 OF 2	
				REV	
				E2	

## X-ON Electronics

Largest Supplier of Electrical and Electronic Components

*Click to view similar products for [Headers & Wire Housings](#) category:*

*Click to view products by [TE Connectivity](#) manufacturer:*

Other Similar products are found below :

[95000-104TRLF](#) [10135584-644402LF](#) [DF62W-EP2022PCA](#) [95000-106TRLF](#) [DF62W-2022SCA](#) [DF62W-EP2022PC](#) [2203348](#) [DF62W-2022SC](#) [1084018](#) [1029039](#) [1084017](#) [802-10-012-10-002000](#) [1112640](#) [1112639](#) [000-34000](#) [0009482033](#) [0009507031](#) [57102-S06-03LF](#) [57202-S52-04LF](#) [PCN6-15S-2.5E](#) [0039019024](#) [58102-G61-06LF](#) [582553-1](#) [0009485154](#) [0009508121](#) [0022285053](#) [0050291907](#) [018731A](#) [LY20-4P-DT1-P1E-BR](#) [02.125.8002.8](#) [60101931](#) [60598-1 \(Cut Strip\)](#) [M1625-3R/100](#) [61062-3](#) [61082-181009](#) [636-1427](#) [638009-1](#) [641938-9](#) [641991-4](#) [644168-1](#) [647662-1](#) [65039-019ELF](#) [65817-002LF](#) [65817-015LF](#) [65863-015LF](#) [66207-023LF](#) [67016-026LF](#) [67046-001LF](#) [67095-007LF](#) [67230-005LF](#)