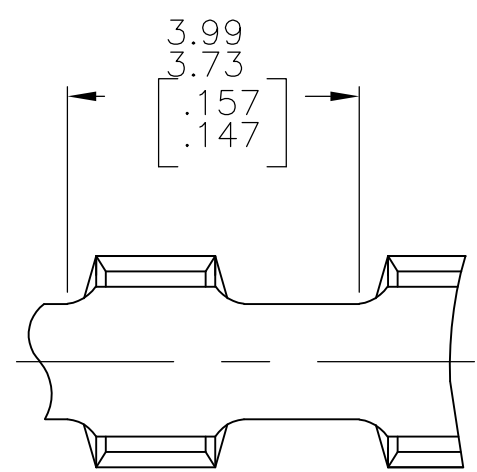
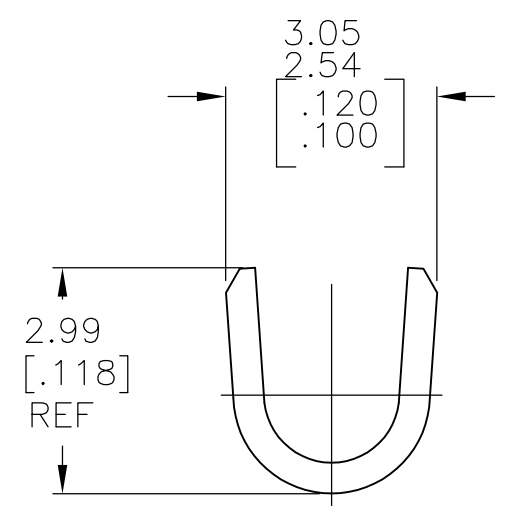
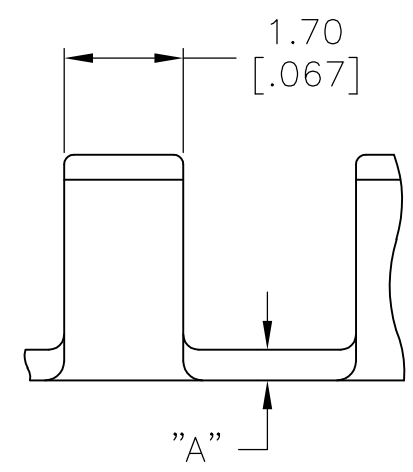


THIS DRAWING IS UNPUBLISHED. RELEASED FOR PUBLICATION
 © COPYRIGHT - By - ALL RIGHTS RESERVED.

LOC	DIST	REVISIONS			
P	LTR	DESCRIPTION	DATE	DWN	APVD
AF	50	G1	REVISED PER ECR-11-007368	30MAR09	HMR GP



- 1 PRODUCT PROVIDED IN CONTINUOUS (BREAK FREE) STRIP FORM ON REELS.
- 2 WIRE RANGE: 1.11-1.47mm²[2200 TO 2900 CMA]
- 3 CRIMP WIDTH: 2.29[.090] F TYPE.
CRIMP HEIGHT IN INCHES (+/- .002) = (TOTAL CMA OF WIRE + 6550)/175000.



OBSOLETE	NONE	.016±.001	ANL. ST. STEEL	60933-3
	TIN	.012±.001	TEMP 2 STEEL	60933-2
OBSOLETE	TIN	.016±.001	082 BRASS	60933-1
	FINISH	"A" MATERIAL THICKNESS	MATERIAL	PART NO

THIS DRAWING IS A CONTROLLED DOCUMENT.		DWN RAGHAVENDRA 23FEB07	STE TE Connectivity	
DIMENSIONS: mm [INCHES]		CHK G.D.PORTA 23FEB07		
TOLERANCES UNLESS OTHERWISE SPECIFIED:		APVD G.D.PORTA 23FEB07	NAME	
0 PLC ± -		PRODUCT SPEC		SPLICE
1 PLC ± -		APPLICATION SPEC		
2 PLC ± 0.25[.010]		114-2088		RESTRICTED TO
3 PLC ± -		WEIGHT -		SIZE A3
4 PLC ± -		CUSTOMER DRAWING		CAGE CODE 00779
ANGLES ± -		SCALE 10:1		DRAWING NO C-60933
FINISH SEE TABLE		SHEET 1 OF 1		REV G1

X-ON Electronics

Largest Supplier of Electrical and Electronic Components

Click to view similar products for [Terminals](#) category:

Click to view products by [TE Connectivity](#) manufacturer:

Other Similar products are found below :

[HT-13-10](#) [71M-250-32-NB](#) [01-2065-1-0216](#) [00581P0075](#) [M10-10RX](#) [M10BCK](#) [60205-1](#) [604200-1](#) [60598-1-CUT-TAPE](#) [60617-1-C](#) [60873-1](#) [M14-516R/SK](#) [M14-6RSX](#) [M18-10FLX](#) [M18-8FBX](#) [M18-8R/LX](#) [M18BCK](#) [61314-6-C](#) [61-S](#) [61-SN-A](#) [62149-1](#) [62-NBM-A](#) [63-S](#) [640179-1](#) [640917-2-CUT-TAPE](#) [6501550002](#) [66107-2-C](#) [696683-1](#) [696834-1](#) [696861-1](#) [696931-1](#) [696999-1](#) [M8-516RK](#) [M86700006](#) [MA250DMFMX-A](#) [701-2007](#) [701-2307](#) [701-7761-03](#) [70F-110-32-PB](#) [718-N-A](#) [71M-187-20-NBL](#) [71M-250-32-NBL](#) [72F-187-20-NBL](#) [72M-250-32-NBL](#) [7310](#) [73F-250-32](#) [73F-250-32-NBL](#) [73F-250-32-NL](#) [F14-10C](#) [F-1M](#)