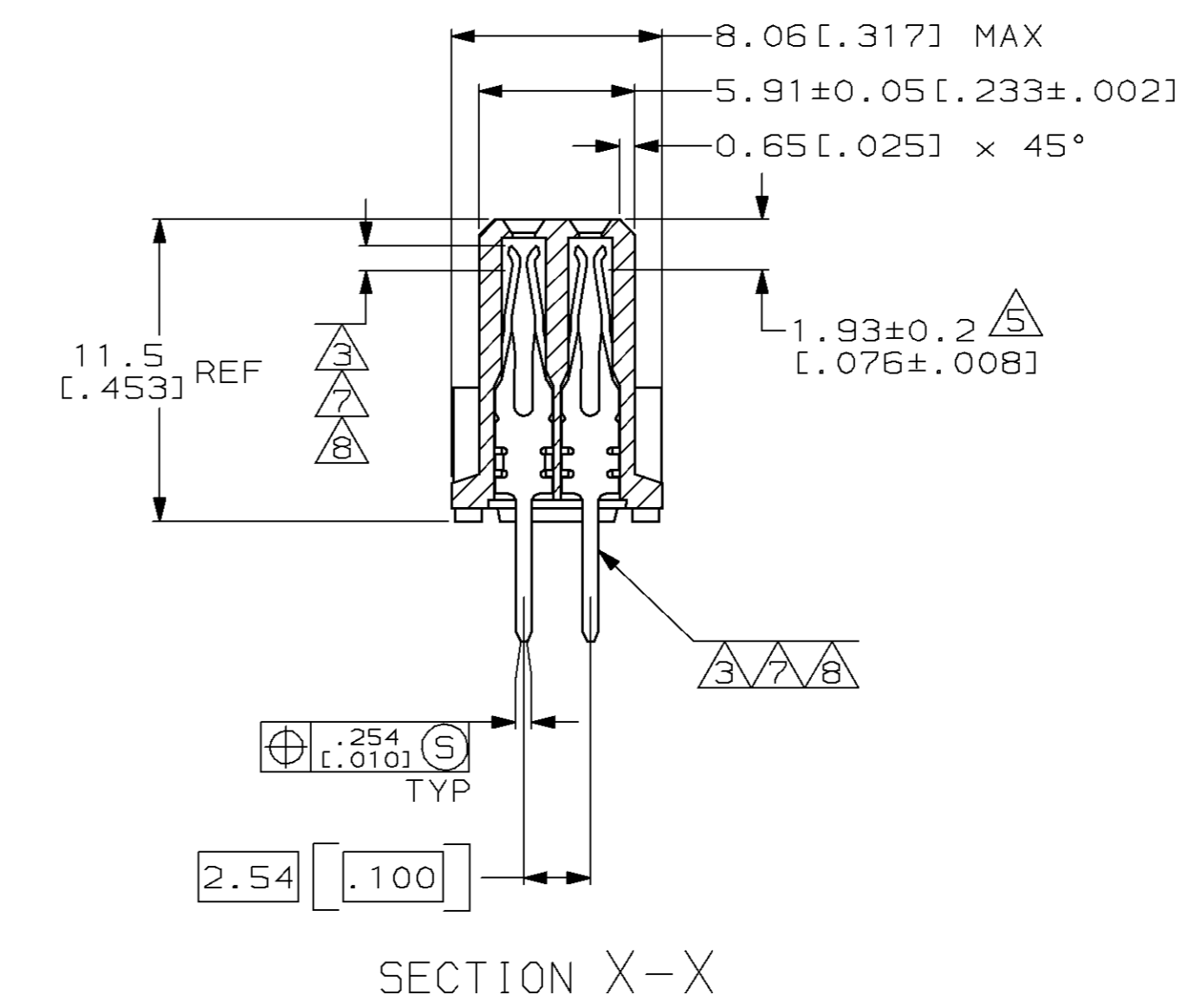
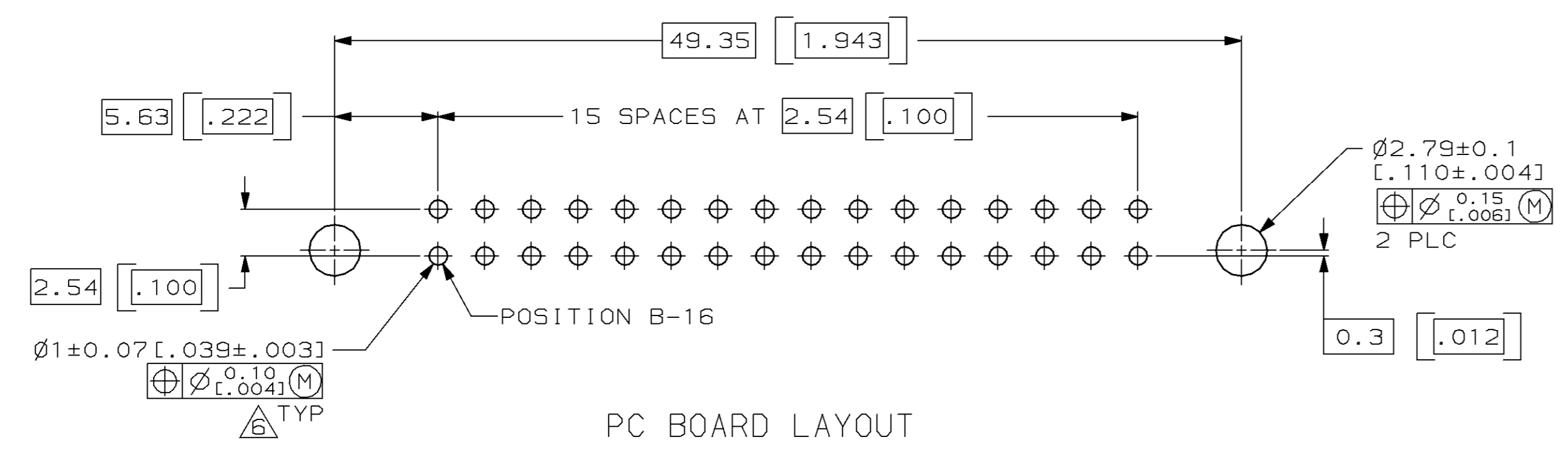
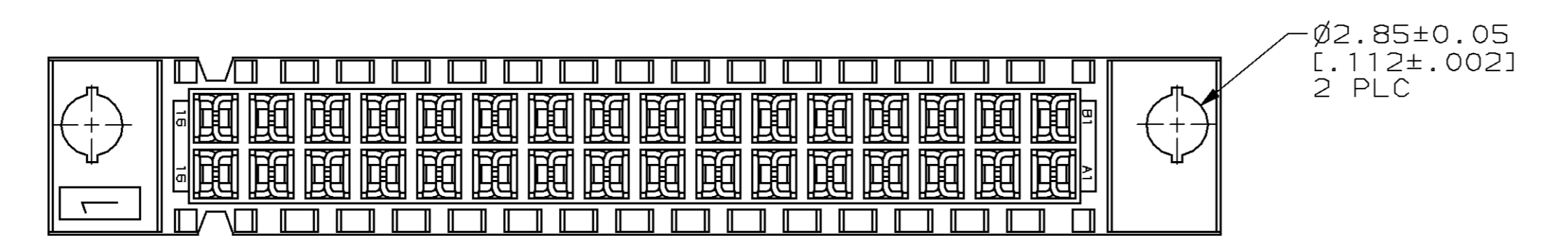
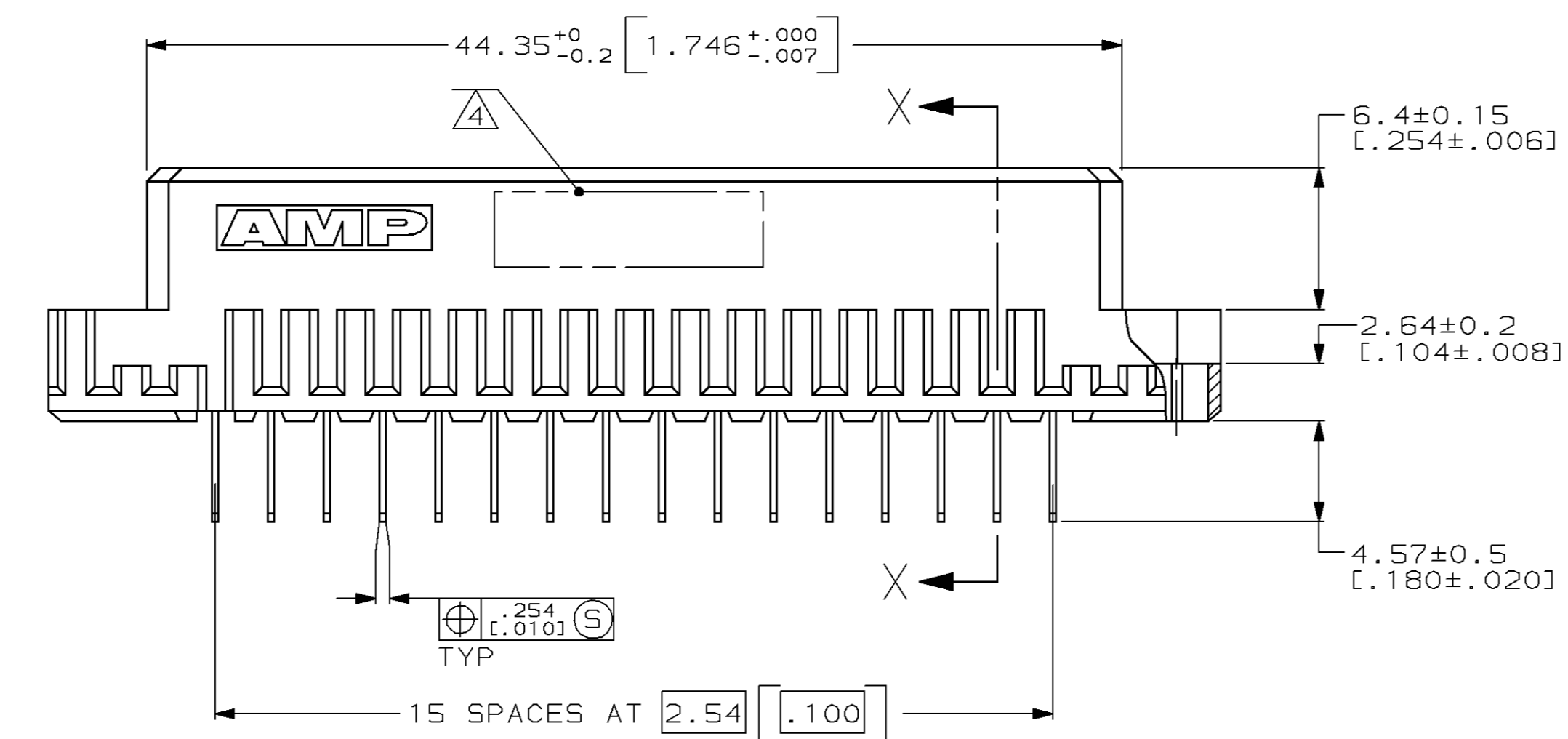
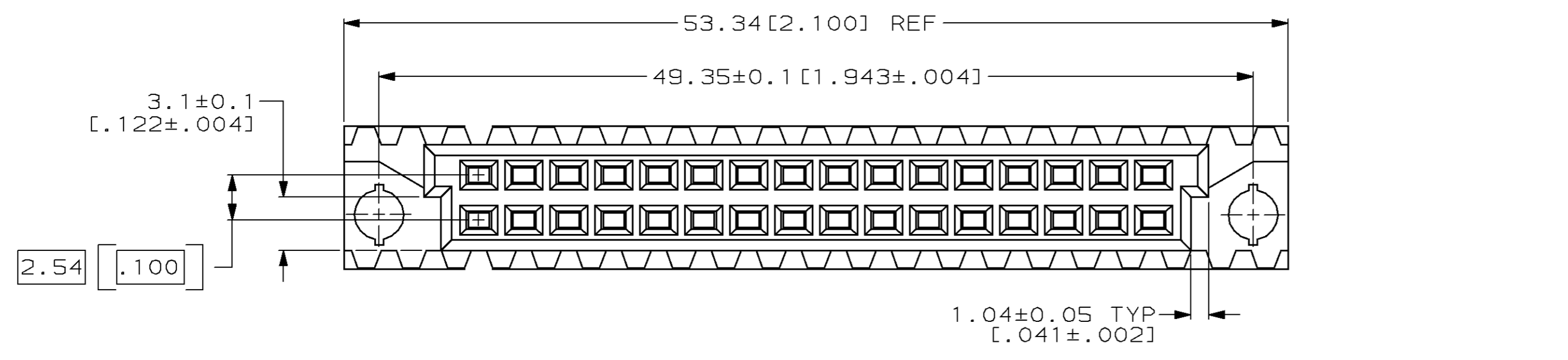


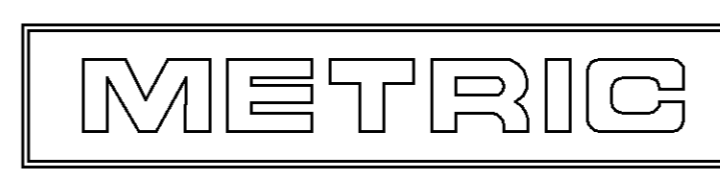
LOC	DIST	P	F	ZONE	LTR	REVISIONS	DATE	APPD
AD	25					0 DRAWN	-	-
						A ECN AD5986	12/12/91	LSB
						B ECN AD6495	7/31/92	LSB
						C EC 0010-0613-93	5/28/93	LSB
						D EC 0010-1455-95	1/23/96	CR
						E EC 0010-1484-95	4/1/96	CR



- 1 HOUSING MATERIAL: GLASS-FILLED POLYESTER. COLOR: GRAY.
- 2 CONTACT MATERIAL: PHOSPHOR BRONZE.
- 3 CONTACT FINISH: DIN 41612 CLASS 2 IN CONTACT AREA. NICKEL UNDERPLATE ALL OVER. TIN-LEAD ON POSTS.
- 4 PART NUMBER, DATE CODE IDENTIFICATION, CSA LOGO IN THIS APPROXIMATE AREA, ON REVERSE SIDE.
- 5 POINT OF MEASUREMENT FOR GOLD.
- 6 RECOMMENDED HOLE SIZE FOR MANUAL APPLICATION OF CONNECTOR ONTO PC BOARD.
- 7 CONTACT FINISH: DIN 41612 CLASS 3 IN CONTACT AREA. NICKEL UNDERPLATE ALL OVER. TIN-LEAD ON POSTS.
- 8 CONTACT FINISH: DIN 41612 CLASS 2 IN CONTACT AREA. NICKEL UNDERPLATE ALL OVER. TIN-LEAD ON POSTS.

NOTE	POSITIONS LOADED	B	A	NO. OF LOADED POSITION	ASSY PART NUMBER
OBSOLETE	1 THRU 16	X	X	32	650858-9
	1 THRU 16	X	X	32	650858-5
SUPERSEDED BY 650858-5	1 THRU 16	X	X	32	650858-4

DO NOT SCALE PRINT. UNLESS SPECIFIED DIMENSIONS IN mm [INCHES]. TOLERANCES ON:	DR L. BRINER 6/27/90	AMP AMP INCORPORATED Harrisburg, Pa. 17105
1 PLC DEC ± -	CHK J. BROWN 7/18/90	
2 PLC DEC ± 0.13 [.005]	APPD J. BROWN 7/18/90	
ANGLES ± -	APPD J. BROWN 7/19/90	
	PRODUCT SPEC	
MATERIAL HSG	APPLICATION SPEC	NAME RECEPTACLE ASSEMBLY, EUROCARD, TYPE "B"
CONT	FINISH	SIZE D
	CONT	FSCM NO 00779
		DRAWING NO 650858
		SCALE 4:1
		SHEET 1 OF 1



X-ON Electronics

Largest Supplier of Electrical and Electronic Components

Click to view similar products for [DIN 41612 Connectors](#) category:

Click to view products by [TE Connectivity](#) manufacturer:

Other Similar products are found below :

[09231126901](#) [PCN10F-24P-2.54DS\(72\)](#) [004.767](#) [02221602702](#) [024069](#) [602427301412000](#) [013275](#) [691327-1](#) [74670-0732](#) [74680-0340](#)
[75880-0015](#) [76453-0014](#) [86093159ALF](#) [923454](#) [QLC260R](#) [120X10099X](#) [120X10019X](#) [120X10089X](#) [120X10129X](#) [121A10039X](#)
[121A10309X](#) [122A10019X](#) [122A10029X](#) [122A10249X](#) [122A10669X](#) [122A11089X](#) [122A13089X](#) [122A10089X](#) [122A10129X](#)
[122A10349X](#) [122A13359X](#) [1377391-4](#) [DIN-048CPC-SR1-MH](#) [1393583-2](#) [1393726-7](#) [140X10059X](#) [140X10129X](#) [143-1913-000](#) [143-1908-](#)
[000](#) [1484472-1](#) [173052](#) [2110070-1](#) [2110070-2](#) [CBC20T00-008FDS5-0-1-002VR](#) [983-0SE12-12P6](#) [17041102202](#) [172699-5036](#) [173051](#) [20](#)
[8457096](#) [010](#) [025](#) [208458096005133](#)